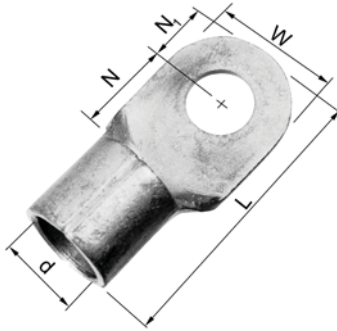


Sheet metal terminals 10 - 240 mm² DIN 46234

- Data: electrolytic copper, tin plated.
- Dimensions according to DIN 46234.



Cat. no. mm ² , bolt	mm W	d	N1	N	L	Pcs/ pack	Palm marking	Die no.	Rec. tool
B10-5R	10,0	4,5	5,0	8,0	21	100	10	7	GWB4010, V600
B10-6R	11,0	4,5	5,5	9,0	23	100	10	7	GWB4010, V600
B10-8R	14,0	4,5	7,0	12,0	27	100	10	7	GWB4010, V600
B10-10R	18,0	4,5	9,0	13,0	30	100	10	7	GWB4010, V600
B10-12R	22	4,5	11,0	15,0	34	100	10	7	GWB4010, V600
B16-5R	11,0	5,8	5,5	10,0	26	100	16	8	V600, V1300
B16-6R	11,0	5,8	5,5	10,0	26	100	16	8	V600, V1300
B16-8R	14,0	5,8	7,0	12,0	29	100	16	8	V600, V1300
B16-10R	18,0	5,8	9,0	14,0	33	100	16	8	V600, V1300
B16-12R	22	5,8	11,0	16,0	37	100	16	8	V600, V1300
B25-5R	12,0	7,5	6,0	14,0	31	100	25	10	V600, V1300
B25-6R	12,0	7,5	6,0	14,0	31	100	25	10	V600, V1300
B25-8R	16,0	7,5	8,0	14,0	33	100	25	10	V600, V1300
B25-10R	18,0	7,5	9,0	15,0	35	100	25	10	V600, V1300
B25-12R	22	7,5	11,0	20	42	100	25	10	V600, V1300
B25-16R	28	7,5	14,0	24	49	100	25	10	V600, V1300
B35-6R	15,0	9,0	7,5	14,0	34	100	35	12	V600, V1300
B35-8R	16,0	9,0	8,0	14,0	34	100	35	12	V600, V1300
B35-10R	18,0	9,0	9,0	15,0	36	100	35	12	V600, V1300
B35-12R	22	9,0	11,0	19,0	42	100	35	12	V600, V1300
B35-16R	28	9,0	14,0	24	50	100	35	12	V600, V1300
B50-6R	18,0	11,0	9,0	18,0	43	100	50	14,5	V600, V1300
B50-8R	18,0	11,0	9,0	18,0	43	100	50	14,5	V600, V1300
B50-10R	18,0	11,0	9,0	18,0	43	100	50	14,5	V600, V1300
B50-12R	22	11,0	11,0	20	47	100	50	14,5	V600, V1300
B50-16R	28	11,0	14,0	24	54	100	50	14,5	V600, V1300
B70-8R	22	13,0	11,0	20	49	100	70	17	V600, V1300
B70-10R	22	13,0	11,0	20	49	100	70	17	V600, V1300
B70-12R	22	13,0	11,0	20	49	100	70	17	V600, V1300
B70-16R	28	13,0	14,0	24	56	100	70	17	V600, V1300
B95-10R	24	15,0	12,0	22	54	100	95	20	V600, V1300
B95-12R	24	15,0	12,0	22	54	100	95	20	V600, V1300
B95-16R	28	15,0	14,0	24	58	100	95	20	V600, V1300
B120-10R	24	16,5	12,0	22	56	50	120	Contact elpress	V600, V1300
B120-12R	24	16,5	12,0	22	56	50	120	Contact elpress	V600, V1300
B120-16R	28	16,5	14,0	26	62	50	120	Contact elpress	V600, V1300
B150-12R	30	19,0	15,0	26	65	50	150	Contact elpress	V600, V1300
B150-16R	30	19,0	15,0	26	65	50	150	Contact elpress	V600, V1300
B185-12R	36	21	18,0	22	68	50	185	Contact elpress	V1300, V250
B185-16R	36	21	18,0	22	68	50	185	Contact elpress	V1300, V250
B240-12R	38	24	19,0	24	75	50	240	Contact elpress	V1300, V250
B240-16R	38	24	19,0	24	75	50	240	Contact elpress	V1300, V250

For detailed information regarding recommended tool or system, see chapter 6.