

Insulation boots

■ Data: used together with straight and angled receptacle connections.

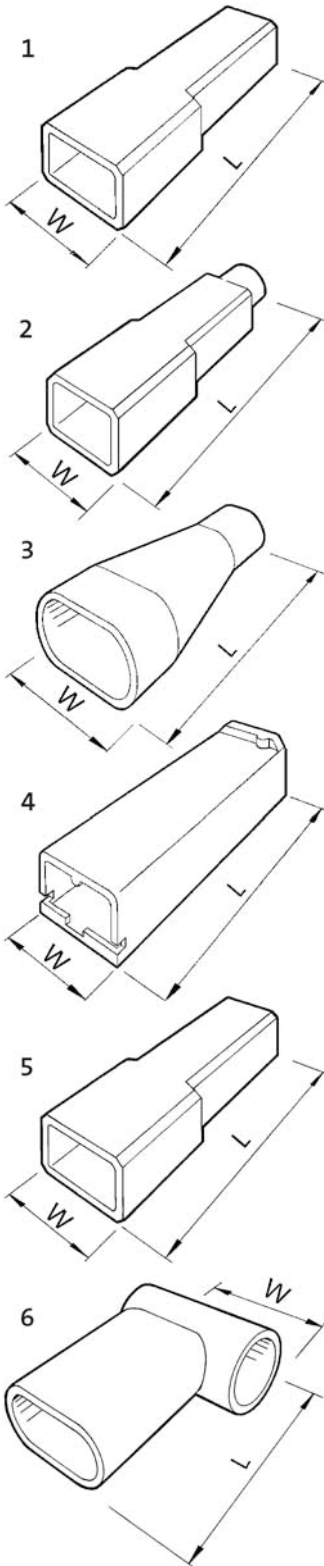


Fig.	Cat. no.	mm L W	Material Colour	mm Tab size Max. cable Ø	Pcs/ pack	Temp °C
1	ISO1003FL1	19,0	PE	2,8	100	-50 +85
		5,6	transp	2,5	100	
2	ISO1005FL1	21,0	PVC	4,8	100	-25 +75
		7,6	transp	3,2	100	
3	ISO1507HBW6	23 11,0	PVC transp	6,3 3,6	100 100	-25 +75
4	ISO1507FLS	24 9,0	PE transp	6,3 2,5	100 100	-25 +75
5	ISO2507FLS1	22,5	PE	6,3	100	-50 +85
		9,5	transp	3,0	100	
6	ISO1507FLB*	17,3	PVC	6,3	100	-25 +75
		15,0	transp	2,5	100	

* Used with 90° receptacle