

# WTR7270

Wideband LTE, 4G, 3G & GSM  
Multiposition Antenna

## Features

- ◆ Groundplane Independent
- ◆ Covers LTE, cellular, GSM and 3G bands
- ◆ Locks in three positions for flexibility
- ◆ Ideal for fixed and mobile terminals

## Specifications

|                   |                          |
|-------------------|--------------------------|
| Radiating element | 1/2 Wave Element         |
| Frequency range   | 690-960/1710-2700MHz     |
| Gain              | 1 dBi                    |
| Polarisation      | Linear                   |
| VSWR              | < 2.0:1                  |
| Power rating      | 10W                      |
| Connector         | SMA-Male (multiposition) |
| Dimensions        | 171 x 18mm (max)         |

## Popular Ordering Options

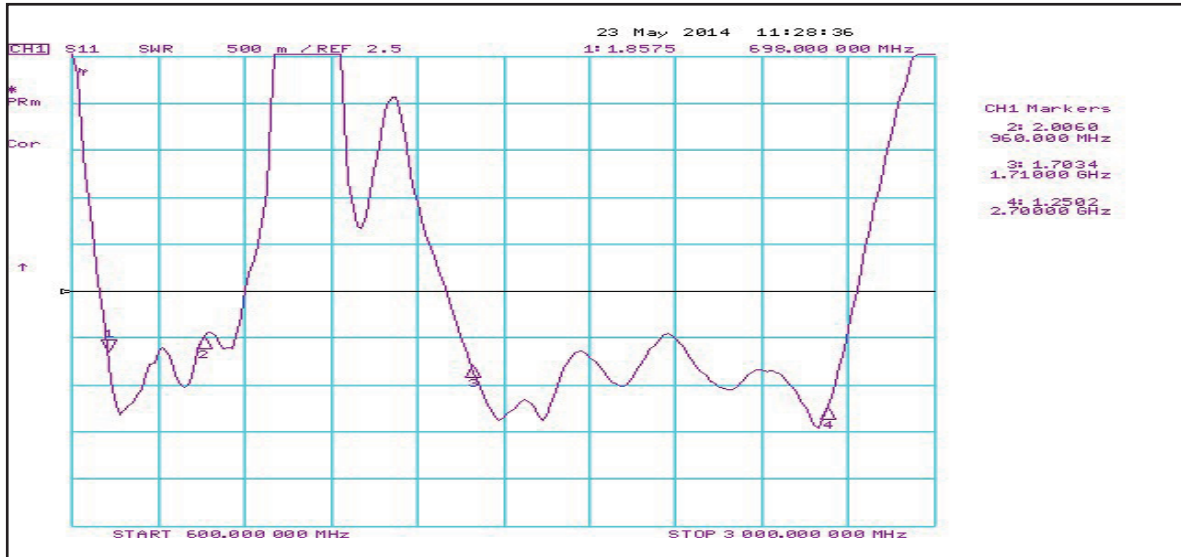
|                 |   |
|-----------------|---|
| FWTR35292-SM-KR | WTR7270 antenna with SMA-Male connector |
|-----------------|---|

Specifications subject to change without notice.

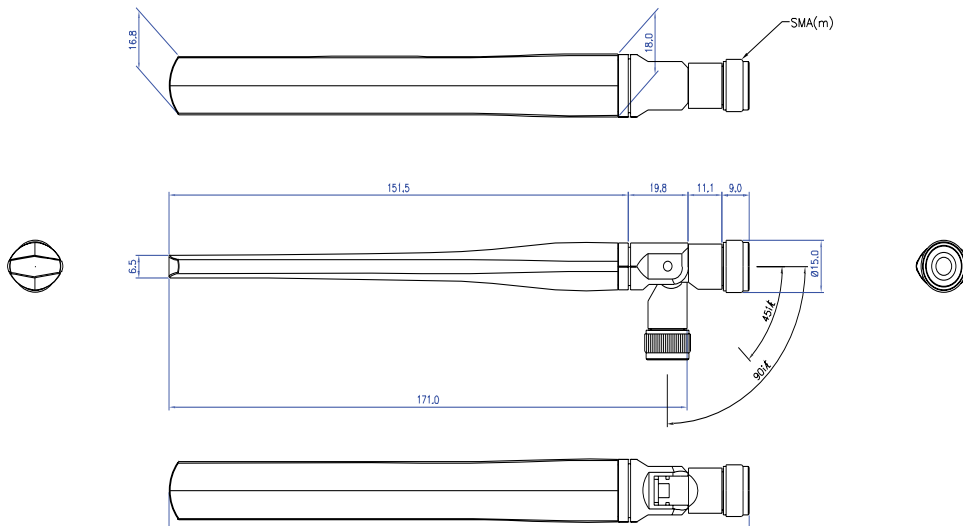


## WTR7270 | LTE/4G Multiband Multiposition Antenna

### VSWR



### Outline Drawing



Specifications subject to change without notice.