

GPS-Stubby

Active GPS Stubby Antenna

Features

- ◆ GPS Stubby Antenna
- ◆ Integrated LNA
- ◆ Durable plastic sheath
- ◆ Straight and Right-Angle SMA versions
- ◆ Ideal for mobile terminals

Specifications

Frequency range	1575.42 ±1.023 MHz
Polarisation	RHCP
Impedance	50 Ohm
VSWR	<2.0:1
LNA Gain	26 dB ±2 dB
Noise Figure	1.1dB (Typical)
Band Attenuation	20dB min @Fo ±50 MHz
Input Voltage	DC +3.0 V (±0.3V)
Current	20mA (max)
Operating Temperature	-30 to +70 degrees C
Weight	20g
Dimensions	ST version - 67x 18.5mm (hxd), RA version 67x18.5mm (hxd) plus connector

Popular Ordering Options

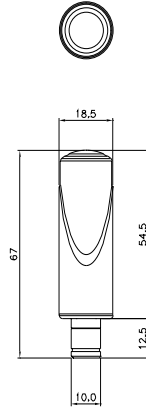
FGPS35216-SM-ST	GPS-Stubby Antenna with SMA-Male ST
FGPS35216-SM-RA	GPS-Stubby Antenna with SMA-Male RA

Specifications subject to change without notice.

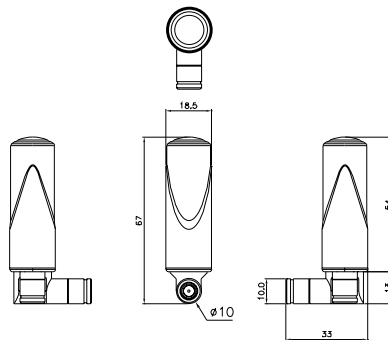


GPS-Stubby| Active GPS Stubby Antenna

Outline Drawing SMA-Male ST



Outline Drawing SMA-Male RA



Specifications subject to change without notice.