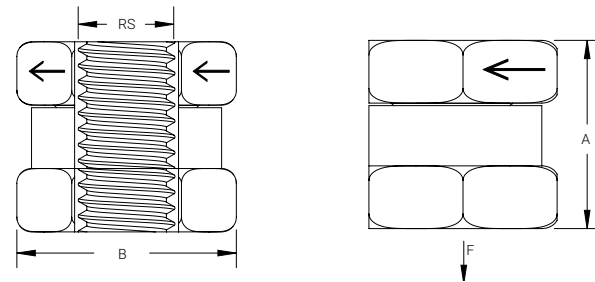


SN Series Nut

- Allows side mounting of nut to threaded rod
- Reduces the need for threading compared to standard nuts and washers
- Ideal for retrofit projects, such as trapeze installations, where disassembly of the support system is not desired
- Works with slightly damaged threads and minor burrs on the threaded rod
- Reduces installation time up to 50%

Innovative slotted design allows side mounting of the nut to threaded rod. Ideal for retrofit projects.



Material: Cast Iron
Finish: Electrogalvanized

Part Number	Rod Size RS	A	B	Static Load F
SN25	1/4"	0.55"	5/8"	500 lb
SN37	3/8"	0.75"	3/4"	1,350 lb
SN50	1/2"	0.90"	1"	2,250 lb

For use on plain and electro zinc plated hardware only.

"Using Rod Lock products on a large bus bar installation did not only significantly reduce our installation time, it also improved safety by making installation easier in hard to reach places."

Adam Stahl - Bravida Sverige AB
(Sweden)

ALSO AVAILABLE:

STRUT TRAPEZE ATTACHMENT PLATE

- Creates fast install trapeze brackets
- Includes hex bolt and strut nut

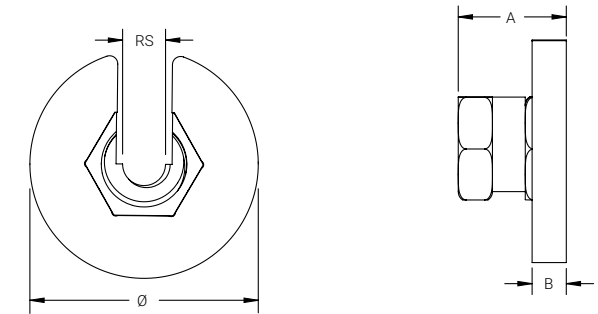
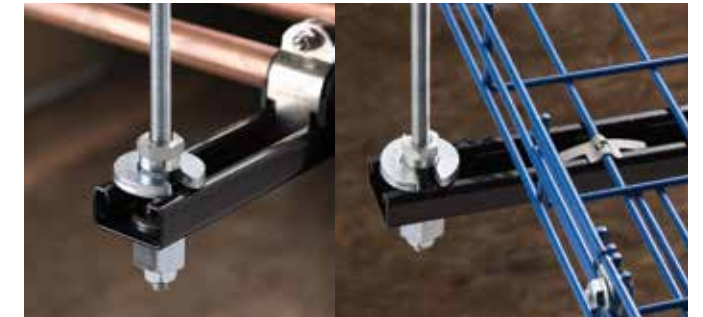
Part Number	Rod Size RS
ISSP375	3/8"

Material: Steel
Finish: Electrogalvanized

SNSW Flanged Nut

- Ideal for retrofit projects, such as trapeze installations, where disassembly of the support system is not desired
- Use as a stopper when installing Rod Lock assemblies
- Can be easily installed, removed, and repositioned at any location along the threaded rod
- Ready to use out of the box and eliminates multiple pieces of standard hardware
- Functions as a hex nut and flat washer combined
- Washer is wide enough to work with standard strut channel profiles

A combination of a slotted channel washer and nut that can be installed at any location along a threaded rod. Ideal for retrofit project where disassembly of the existing trapeze is not desired.



Material: Steel
Finish: Electrogalvanized
Static Load Safety Factor: 3:1

Part Number	Rod Size RS	Diameter Ø	A	B	Wrench Size	Static Load F
SNSW37	3/8"	1.67"	0.79"	1/4"	3/4"	300 lb
SNSW50	1/2"	1.90"	0.95"	1/4"	1"	300 lb

For use on plain and electro zinc plated hardware only.

ALSO AVAILABLE:

CUSHION CLAMP INSULATED STRUT CLAMP FOR PIPE/TUBE



- Fits into open side of strut channel
- Plastic cushion is hinged to spread apart for easy installation
- Reduces noise and absorbs shock by gripping the pipe/tube firmly
- Square neck of carriage bolt prevents over-tightening
- Nylon locknut prevents loosening under vibration

Outer Diameter (OD)	6.3 mm - 114.3 mm
Copper Tube Size	1/4" - 4"
Pipe Size	1/4" - 4"
NB/DN	8 - 100

