

Your representation:

etech
components

All Enquiries:

tel: +44 (0)1744 762 929

email: sales@etechcomponents.com

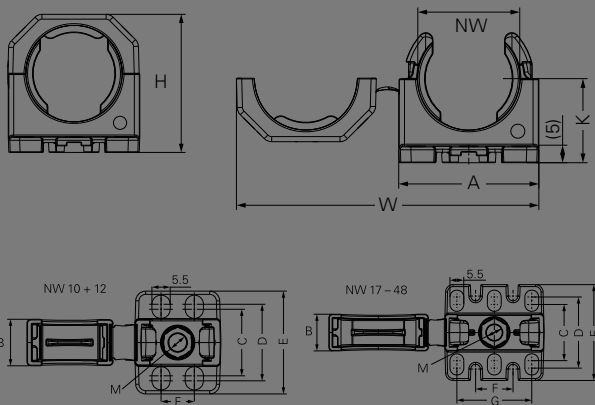
web: www.etechcomponents.com

FIPLOCK[®]

COPA-H

Befestigungsclip
Mounting clip

+120 °C
-50 °C



Material: PA6 MOD BS SGA

- ▣ Montagehalter für FIPLOCK[®] Wellrohre mit Sockel
- ▣ aus speziell modifiziertem PA6
- ▣ für eine verdrehsichere Montage

Material: PA6 MOD BS SGA

- ▣ mounting clip with base for FIPLOCK[®] corrugated conduits
- ▣ made of specially modified PA6
- ▣ for anti-twist application



Artikel-Nr. Part No.		Nennweite Nominal width	Profil Profile	Dimensionen in mm (nom.) Dimensions in mm (nom.)											Gewicht Weight	VPE PU
schwarz / black	grau / grey	NW		A	B	C	D	E	F	G	H	K	W	M	g	Stk / Pcs
COPA-H-10B	COPA-H-10G	10	F	22,0	14,0	20,0	23,0	31,0	0,0	10,0	25,0	16,0	50,3	5	4,8	10
COPA-H-12B	COPA-H-12G	12	F	26,0	14,0	20,0	23,0	31,0	0,0	10,0	27,0	16,5	58,3	5	5,8	10
COPA-H-17B	COPA-H-17G	17	F/C	35,5	14,0	20,0	27,0	36,0	12,5	25,0	34,0	20,0	73,5	6	7,8	10
COPA-H-23B	COPA-H-23G	23	F/C	40,0	14,7	22,5	28,5	38,5	15,0	30,0	42,0	24,0	86,3	6	10,6	6
COPA-H-29B	COPA-H-29G	29	F/C	46,5	14,7	22,5	29,5	40,0	17,5	35,0	48,0	27,0	99,3	6	12,8	6
COPA-H-36B	COPA-H-36G	36	F/C	55,0	14,7	24,5	49,5	60,0	20,0	40,0	56,0	31,0	116,3	6	18,5	4
COPA-H-48B	COPA-H-48G	48	F/C	67,0	14,7	24,5	49,5	60,0	22,5	45,0	68,0	37,0	140,3	6	24,9	4

