

Your representation:

etech
components

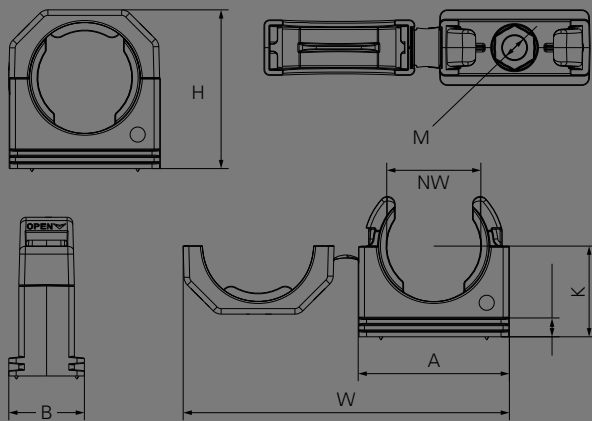
All Enquiries:
tel: +44 (0)1744 762 929
email: sales@etechcomponents.com
web: www.etechcomponents.com

FIPLOCK[®]

COPA-S

Befestigungsclip
Mounting clip

+120 °C
-50 °C



Material: PA6 MOD BS SGA

- Standard-Montagehalter für FIPLOCK[®] Wellrohre
- aus speziell modifiziertem PA6
- passend zu Standard-C-Montageschienen

Material: PA6 MOD BS SGA

- standard mounting clip for FIPLOCK[®] corrugated conduits
- made of specially modified PA6
- suitable for standard C-mounting rails



Artikel-Nr. Part No.		Nennweite Nominal width	Profil Profile	Dimensionen in mm (nom.) Dimensions in mm (nom.)						Gewicht Weight	VPE PU
schwarz / black	grau / grey	NW		A	B	H	K	W	M	g	Stk / Pcs
COPA-S-07B	COPA-S-07G	07	F	19,5	20,0	22,0	14,0	45,3	4	3,6	10
COPA-S-10B	COPA-S-10G	10	F	22,0	20,0	25,0	16,0	50,3	5	4,2	10
COPA-S-12B	COPA-S-12G	12	F	26,0	20,0	27,0	16,5	58,3	5	5,0	10
COPA-S-17B	COPA-S-17G	17	F/C	33,0	20,0	34,0	20,0	72,3	6	6,9	10
COPA-S-23B	COPA-S-23G	23	F/C	40,0	20,0	42,0	24,0	86,3	6	9,3	6
COPA-S-29B	COPA-S-29G	29	F/C	46,5	20,0	48,0	27,0	99,3	6	11,1	6
COPA-S-36B	COPA-S-36G	36	F/C	55,0	20,0	56,0	31,0	116,3	6	14,4	4
COPA-S-48B	COPA-S-48G	48	F/C	67,0	20,0	68,0	37,0	140,3	6	19,9	4

