

Your representation:

etech
components

All Enquiries:

tel: +44 (0)1744 762 929

email: sales@etechcomponents.com

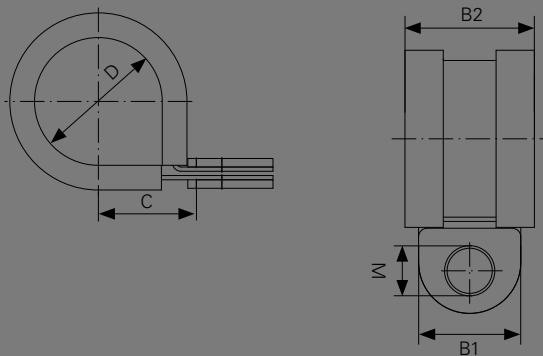
web: www.etechcomponents.com

FIPLOCK[®]

CPSZ

Schelle
Clamp

+120 °C
-50 °C



Material: Galvanisch verzinkter Stahl und EPDM

- Montageschelle für FIPLOCK[®] Wellrohre
- aus galvanisch verzinktem Stahl mit halogenfreier EPDM-Einlage
- mit einer Befestigungsöse

Material: Galvanized steel and EPDM

- mounting clamp for FIPLOCK[®] conduits
- made of galvanized steel with free-halogen EPDM inlay
- with one fixation lug



Artikel-Nr. Part No.	Nennweite Nominal width	Profil Profile	Loch Hole	Dimensionen in mm (nom.) Dimensions in mm (nom.)				Gewicht Weight	VPE PU
schwarz / black	NW		M	B1	B2	C	D	kg/100 Stk / Pcs	Stk / Pcs
CPSZ-07M4B-EP	07	F	M4	9,0	13,0	10,7	10,0	0,4	50
CPSZ-07M6B-EP	07	F	M6	15,0	19,0	16,2	10,0	1,0	50
CPSZ-10M4B-EP	10	F	M4	9,0	13,0	11,7	12,0	0,5	50
CPSZ-10M6B-EP	10	F	M6	15,0	19,0	17,2	12,0	1,1	50
CPSZ-12M4B-EP	12	F	M4	9,0	13,0	13,2	15,0	0,5	50
CPSZ-12M6B-EP	12	F/C	M6	15,0	19,0	18,7	10,0	1,3	50
CPSZ-17M5B-EP	17	F/C	M5	12,0	15,0	18,5	21,0	0,9	50
CPSZ-17M6B-EP	17	F/C	M6	15,0	19,0	21,7	21,0	1,5	50
CPSZ-23M5B-EP	23	F/C	M5	12,0	15,0	22,0	28,0	1,1	50
CPSZ-23M6B-EP	23	F/C	M6	15,0	19,0	25,2	28,0	1,9	50
CPSZ-23M8B-EP	23	F/C	M8	20,0	25,0	28,5	28,0	3,7	50
CPSZ-29M6B-EP	29	F/C	M6	15,0	19,0	28,2	34,0	2,2	50
CPSZ-36M6B-EP	36	F/C	M6	15,0	19,0	31,7	41,0	2,5	25
CPSZ-36M8B-EP	36	F/C	M8	20,0	25,0	35,0	41,0	4,8	25
CPSZ-48M6B-EP	48	F/C	M6	15,0	19,0	37,7	53,0	3,4	25

