

Your representation:

etech
components

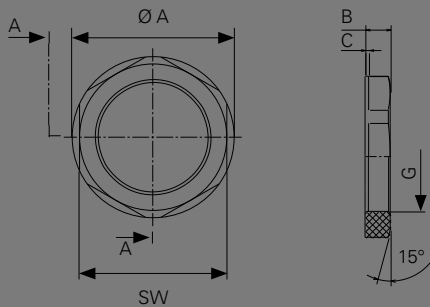
All Enquiries:
tel: +44 (0)1744 762 929
email: sales@etechcomponents.com
web: www.etechcomponents.com

FIPLOCK®

NTPA-PG

+100 °C
-40 °C

Gegenmutter sechskant, Kunststoff, PG
Locknut hexagon, polyamide, PG



Material: Polyamid glasfaserverstärkt

- Sechskant-Gegenmutter mit PG-Gewinde
- aus Glasfaser verstärktem PA
- passend zu FIPLOCK® ONE Verschraubungen mit PG-Gewinde

Material: polyamide glas fibre reinforced

- hexagon locknuts with PG threads
- made of glass fibre reinforced PA
- suitable for FIPLOCK® ONE fittings with PG threads



Artikel-Nr. Part No.		Gewindegröße Thread size	Dimensionen in mm (nom.) Dimensions in mm (nom.)				Gewicht Weight	VPE PU
schwarz / black	grau / grey	NW	SW	A	B	C	g	Stk / Pcs
NTPA-P07B	NTPA-P07G	P07	19	21,0	5,0	0,9	13,0	10
NTPA-P09B	NTPA-P09G	P09	22	24,0	5,0	0,9	16,5	10
NTPA-P11B	NTPA-P11G	P11	24	26,0	5,0	0,8	17,5	10
NTPA-P13B	NTPA-P13G	P13	27	29,0	6,0	0,8	24,0	10
NTPA-P16B	NTPA-P16G	P16	30	33,0	6,0	0,8	32,0	10
NTPA-P21B	NTPA-P21G	P21	36	39,0	7,0	1,0	46,0	6
NTPA-P29B	NTPA-P29G	P29	46	50,0	7,0	1,0	43,5	6
NTPA-P36B	NTPA-P36G	P36	60	66,0	8,0	2,0	88,0	4
NTPA-P42B	NTPA-P42G	P42	65	73,0	8,0	2,2	62,5	4
NTPA-P48B	NTPA-P48G	P48	70	78,0	8,0	2,2	66,0	4

