

Your representation:

**etech**  
components

**All Enquiries:**  
tel: +44 (0)1744 762 929  
email: sales@etechcomponents.com  
web: www.etechcomponents.com

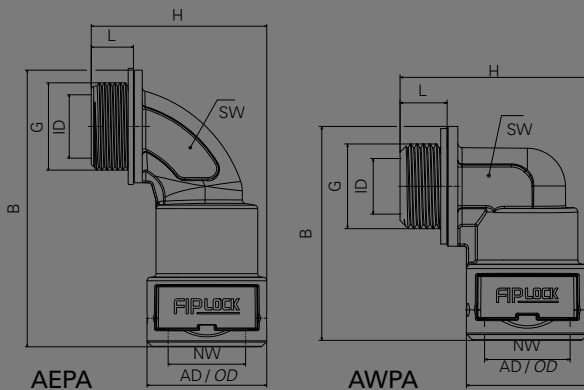
**FIPLOCK<sup>®</sup> ONE**

## AWPA-PGM / AEPA-PGM

+120 °C  
-50 °C



Anschlussverschraubung Bogenwinkel 90°, PG, Metallgewinde  
Fitting 90° curved elbow, PG, metal thread



### Material: PA6 MOD V0 SGA

- IP69/IP68/IP67/IP66 Anschlussverschraubung für FIPLOCK<sup>®</sup> Wellrohre
- 90°-Winkel / Bogenwinkel-Verschraubung aus speziell modifiziertem PA6
- mit PG-Metallgewinde aus vernickeltem Messing

### Material: PA6 MOD V0 SGA

- IP69/IP68/IP67/IP66 fitting for FIPLOCK<sup>®</sup> corrugated conduits
- 90° elbow / curved elbow fitting made of specially modified PA6
- with PG metal thread made of brass nickel plated



| Artikel-Nr.<br>Part No. |              | Nennweite<br>Nominal width | Gewinde G<br>Thread G | Gewindelänge L<br>Thread length L | ID   | Gesamthöhe H<br>Total height H | AD<br>OD | SW | Einbaubreite B<br>Installation width B | Gewicht<br>Weight | VPE<br>PU |
|-------------------------|--------------|----------------------------|-----------------------|-----------------------------------|------|--------------------------------|----------|----|--|-------------------|-----------|
| schwarz / black         | grau / grey  | NW                         |                       | mm                                | mm   | mm                             | mm       | mm | mm                                     | g                 | Stk / Pcs |
| AWPA-10P09MB            | AWPA-10P09MG | 10                         | PG09                  | 12                                | 8,7  | 44,7                           | 24,7     | 14 | 45,5                                   | 26,6              | 10        |
| AWPA-12P11MB            | AWPA-12P11MG | 12                         | PG11                  | 12                                | 11,8 | 49,0                           | 28,5     | 16 | 51,0                                   | 38,1              | 10        |
| AEPA-17P13MB            | AEPA-17P13MG | 17                         | PG13,5                | 13                                | 10,2 | 55,1                           | 34,0     | 16 | 78,6                                   | 48,6              | 10        |
| AEPA-17P16MB            | AEPA-17P16MG | 17                         | PG16                  | 13                                | 13,2 | 55,8                           | 34,0     | 18 | 78,6                                   | 49,5              | 10        |
| AEPA-23P21MB            | AEPA-23P21MG | 23                         | PG21                  | 14                                | 19,3 | 67,9                           | 41,7     | 24 | 94,6                                   | 79,6              | 6         |
| AEPA-29P29MB            | AEPA-29P29MG | 29                         | PG29                  | 14                                | 26,4 | 75,7                           | 48,2     | 34 | 101,9                                  | 96,2              | 6         |
| AEPA-36P36MB            | AEPA-36P36MG | 36                         | PG36                  | 17                                | 36,1 | 93,4                           | 59,7     | 46 | 128,8                                  | 166,6             | 4         |
| AEPA-48P48MB            | AEPA-48P48MG | 48                         | PG48                  | 17                                | 47,9 | 105,0                          | 71,0     | 55 | 143,3                                  | 226,2             | 4         |

Verschraubungen mit Metallgewinde werden inkl. Flachdichtung und O-Ring geliefert.  
Fittings with metal threads will be delivered with a sealing washer and an O-ring.

