

Your representation:

etech
components

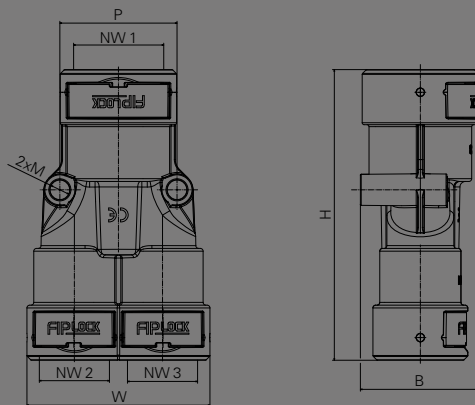
All Enquiries:
tel: +44 (0)1744 762 929
email: sales@etechcomponents.com
web: www.etechcomponents.com

FIPLOCK[®] ONE

AYPA

Y-Verteiler
Y-distributor

+120 °C
-50 °C



Material: PA6 MOD V0 SGA

- IP69/IP68/IP67/IP66 Y-Verteileranschluss für FIPLOCK[®] Wellrohre
- Y-Verteiler für Leitungsabgänge, aus speziell modifiziertem PA6

Material: PA6 MOD V0 SGA

- IP69/IP68/IP67/IP66 Y-distribution fitting for FIPLOCK[®] corrugated conduits
- Y-distributor for conduit junctions, made of specially modified PA6



Artikel-Nr. Part No.		Nennweite Nominal width			Dimensionen in mm (nom.) Dimensions in mm (nom.)					Gewicht Weight	VPE PU
schwarz / black	grau / grey	NW1	NW2	NW3	B	W	H	P	M	g	Stk / Pcs
AYPA-100707B	AYPA-100707G	10	7,0	07	25,2	42,0	67,0	25,0	4,0	21,7	10
AYPA-121010B	AYPA-121010G	12	10,0	10	29,7	47,2	73,0	29,0	4,0	28,6	10
AYPA-171212B	AYPA-171212G	17	12,0	12	34,5	54,5	85,0	35,0	5,0	40,2	10
AYPA-231717B	AYPA-231717G	23	17,0	17	42,4	65,6	104,2	42,0	6,0	62,6	6
AYPA-292323B	AYPA-292323G	29	23,0	23	48,9	80,9	109,0	51,0	6,0	82,5	6
AYPA-362929B	AYPA-362929G	36	29,0	29	59,6	94,4	130,0	58,0	6,0	126,7	4
AYPA-483636B	AYPA-483636G	48	36,0	36	71,5	115,7	144,0	70,0	6,0	195,7	4

