

Your representation:

**etech**  
components

**All Enquiries:**  
tel: +44 (0)1744 762 929  
email: sales@etechcomponents.com  
web: www.etechcomponents.com

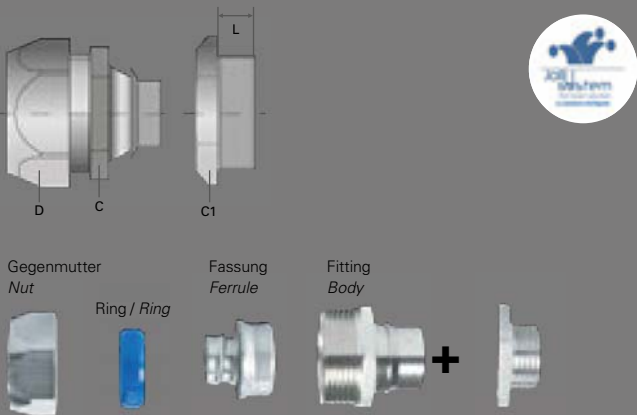
EURO  
2000

**FIPMETAL**®

## MJ-2-PG

Jolly-Fitting gerade, PG  
Jolly fitting straight, PG

+120 °C  
-45 °C



### Material: Messing vernickelt

- FIPMETAL® Anschlussverschraubung "Jolly" für FIPMETAL® Metallrohre
- gerade Verschraubung mit PG-Gewinde aus vernickeltem Messing
- mit individuell aufsteckbaren Gewintheadaptern
- Klemmring aus PA6

### Material: Brass nickel plated

- FIPMETAL® fitting "Jolly" for FIPMETAL® metal conduits
- straight fitting with PG thread made of brass nickel plated
- with individually applicable thread adaptors
- compression ring made of PA6



Artikel-Nr. Part No.		Gewindetyp Thread type	Passende Rohr-NW Fits to conduit NW	Dimensionen in mm (nom.) Dimensions in mm (nom.)			Gewindelänge Thread length	VPE PU
FIP	EURO 2000	PG	NW	D	C	C1	mm	Stk / Pcs
MJ-210.28331	Jolly 210.28331	PG07	10,0	22,0	20,0	20,0	9,0	10
MJ-210.28332	Jolly 210.28332	PG09	10,0	22,0	20,0	20,0	9,0	10
MJ-210.28333	Jolly 210.28333	PG11	10,0	22,0	20,0	20,0	9,0	10
MJ-210.28334	Jolly 210.28334	PG13,5	10,0	22,0	20,0	20,0	9,0	10
MJ-210.28335	Jolly 210.28335	PG16	10,0	22,0	20,0	24,0	9,0	10
MJ-212.28337	Jolly 212.28337	PG09	12,0	26,0	24,0	24,0	9,0	10
MJ-212.28338	Jolly 212.28338	PG11	12,0	26,0	24,0	24,0	9,0	10
MJ-212.28339	Jolly 212.28339	PG13,5	12,0	26,0	24,0	24,0	9,0	10
MJ-212.28340	Jolly 212.28340	PG16	12,0	26,0	24,0	27,0	9,0	10
MJ-216.28342	Jolly 216.28342	PG11	15,5	29,0	27,0	27,0	9,0	8
MJ-216.28343	Jolly 216.28343	PG13,5	15,5	29,0	27,0	27,0	9,0	8
MJ-216.28344	Jolly 216.28344	PG16	15,5	29,0	27,0	27,0	9,0	8
MJ-216.28345	Jolly 216.28345	PG21	15,5	29,0	27,0	33,0	9,0	8
MJ-221.28347	Jolly 221.28347	PG21	20,5	35,0	33,0	33,0	9,0	8
MJ-221.28348	Jolly 221.28348	PG29	20,5	35,0	33,0	43,0	9,0	8
MJ-227.28351	Jolly 227.28351	PG29	26,5	45,0	43,0	43,0	11,0	4
MJ-227.28352	Jolly 227.28352	PG36	26,5	45,0	43,0	52,0	11,0	4
MJ-235.28354	Jolly 235.28354	PG36	34,5	54,0	52,0	52,0	11,0	4
MJ-235.28355	Jolly 235.28355	PG42	34,5	54,0	52,0	60,0	11,0	4
MJ-240.28357	Jolly 240.28357	PG36	39,5	62,0	60,0	60,0	11,0	2
MJ-240.28358	Jolly 240.28358	PG42	39,5	62,0	60,0	60,0	11,0	2
MJ-240.28359	Jolly 240.28359	PG48	39,5	62,0	60,0	60,0	11,0	2
MJ-250.28361	Jolly 250.28361	PG48	50,5	77,0	74,0	74,0	11,0	2