

Your representation:

etech
components

All Enquiries:

tel: +44 (0)1744 762 929

email: sales@etechcomponents.com

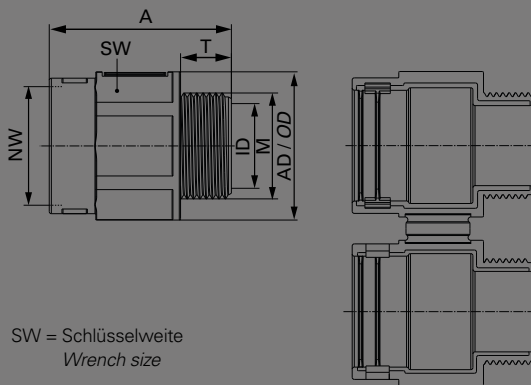
web: www.etechcomponents.com

FIP SPLIT[®]

2SPA-M

Verschraubung, gerade, metrisch
Fitting, straight, metric

+120 °C
-45 °C



Material: PA6 SGA MOD BS

- teilbare Anschlussverschraubung für FIPSPLIT[®] Wellrohre
- gerade Verschraubung aus speziell modifiziertem PA6
- mit metrischem Gewinde

Material: PA6 SGA MOD BS

- divisible fitting for FIPSPLIT[®] corrugated conduits
- straight fitting made of specially modified PA6
- with metric thread



Artikel-Nr. Part No.		Nennweite Nominal width	Gewindegröße Thread size	Dimensionen in mm (nom.) Dimensions in mm (nom.)						VPE PU
schwarz / black	grau / grey	NW	metrisch / metric	A	T	ID	M	AD / OD	SW	m
2SPA-10M16PB.10	2SPA-10M16PG.10	10	M16	34,0	11,0	11,0	16x1,5	21,0	19,0	10
2SPA-14M20PB.10	2SPA-14M20PG.10	14	M20	41,0	11,0	14,6	20x1,5	29,0	27,0	10
2SPA-20M25PB.10	2SPA-20M25PG.10	20	M25	43,0	12,0	19,0	25x1,5	35,0	32,0	10
2SPA-23M32PB.10	2SPA-23M32PG.10	23	M32	50,5	15,0	26,0	32x1,5	44,0	40,0	10
2SPA-37M40PB.10	2SPA-37M40PG.10	37	M40	59,0	19,0	32,0	40x1,5	53,0	48,0	10
2SPA-45M50PB.10	2SPA-45M50PG.10	45	M50	69,5	21,0	42,0	50x1,5	69,0	64,0	10

