

Points Machine Coupler System



Provides a reliable, easy to install connection from the point machine to the disconnect box. The cornerstone of the design is a plug and socket arrangement on the point machine. Preterminated leads complete the system with a socket on one end and a moulded palm on the other.

- Specifically designed for use with Alstom HW point machine
- Nickel plated brass plug and socket arrangement will not deteriorate during service
- Tactile locator pips ensure that correct orientation can easily be achieved in the worst conditions
- Pre-terminated socket leads, available with moulded palm on the other end of the cable
- Available in standard lengths: 5m, 10m, 15m and 20m. Any required length can be supplied in 5m increments
- The plug & socket can only be coupled one way
- Low smoke, zero halogen cable version is available
- Quick, accurate connection at disconnect box
- A 100% testing regime is rigorously employed. Every lead is electrically tested at the factory for voltage withstand, insulation resistance and correct continuity.

Points Machine Coupler System

Plug Coupler

Prysmian Catalogue Number	Rail Industry Catalogue Number	Description
W 2280 01 01	88/000500	1m Tails - 4 Way
W 2279 01 01	88/000501	1m Tails - 10 Way

4 Way Socket to Moulded Termination

Prysmian Catalogue Number	Rail Industry Catalogue Number	Length (m)
W 2287 05 01	88/000520	5
W 2287 10 02	88/000521	10
W 2287 15 03	88/000522	15
W 2287 20 04	88/000523	20

Disconnection Boxes for point machine plug coupler system

Prysmian Catalogue Number	Rail Industry Catalogue Number	Description
W 9212 00 01	88/000502	4 Way plus 4 way
W 9213 00 01	88/000503	10 Way plus 10 way

10 Way Socket to Moulded Termination

Prysmian Catalogue Number	Rail Industry Catalogue Number	Length (m)
W 2286 05 01	88/000524	5
W 2286 10 02	88/000525	10
W 2286 15 03	88/000526	15
W 2286 20 04	88/000527	20

4 Way Socket to Free End

Prysmian Catalogue Number	Rail Industry Catalogue Number	Length (m)
W 2270 05 61	88/000504	5
W 2270 10 02	88/000505	10
W 2270 15 03	88/000506	15
W 2270 20 04	88/000507	20

4 Way Moulded Termination to Free End

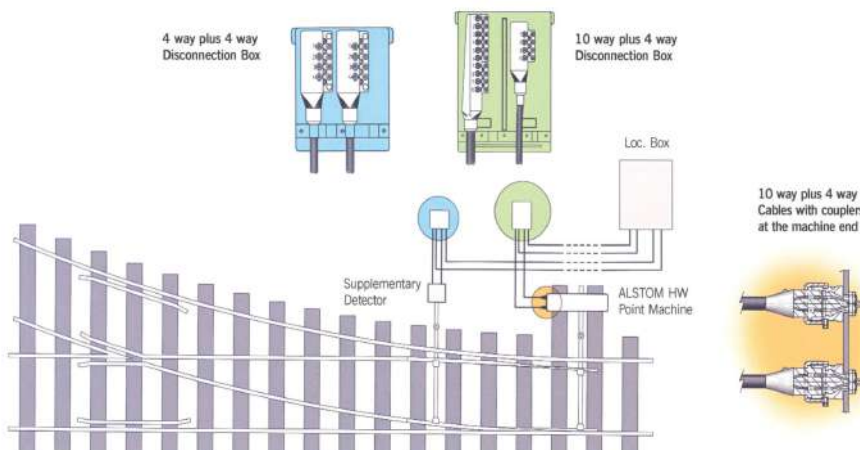
Prysmian Catalogue Number	Rail Industry Catalogue Number	Length (m)
W 2289 05 01	88/000512	5
W 2289 10 02	88/000513	10
W 2289 15 03	88/000514	15
W 2289 20 04	88/000515	20

10 Way Socket to Free End

Prysmian Catalogue Number	Rail Industry Catalogue Number	Length (m)
W 2269 05 01	88/000508	5
W 2269 10 02	88/000509	10
W 2269 15 03	88/000510	15
W 2269 20 04	88/000511	20

10 Way Moulded Termination to Free End

Prysmian Catalogue Number	Rail Industry Catalogue Number	Length (m)
W 2290 05 01	88/000516	5
W 2290 10 02	88/000517	10
W 2290 15 03	88/000518	15
W 2290 20 04	88/000519	20



Reputation

> With origins stretching back over 100 years, Prysmian have an enviable reputation for product quality and innovative design.

> Components manufactures and supplies to accredited Business Management Systems BS EN ISO 9001, BS EN 14001 and is certified to OHSAS 18001.

