

DV250



- powerful crimping head with Elpress DUAL system

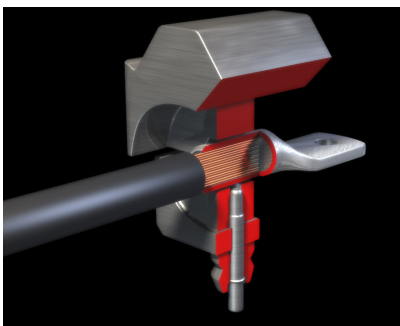
DV250

DV250 crimping head for use with foot pump P4000 or battery and mains powered pump PS710.



Features:

- crimping head with the patented DUAL technology that provides optimised contact crimping in two integrated steps
- integrated dies 120-400 mm², used without die holder
- for crimping of Cu terminals type KRF and through connectors type KSF with Cu conductors, IEC60228 classes 2 and 5
- saves time, only one crimp for large areas
- crimp force 250 kN (at 630 bar)
- standard dies for copper can be used (without DUAL function), 10 - 800 mm²
- very small dimensions Ø 111 mm x 280 mm
- lightweight, only 4.8 kg
- crimping head can also be used for aluminium, 16 - 630 mm²



	mm ²	Cat.no.	Number of crimps
	120	DB2522	1
	150	DB2525	1
	185	DB2527	1
	240	DB2530	1
	300	DB2532	1
	400	DB2538	2



ELPRESS[®]

8052-065700

All Enquiries: Tel: +44 (0)1744 762 929 Email: sales@etechcomponents.com

Web: www.etechcomponents.com

etech
components