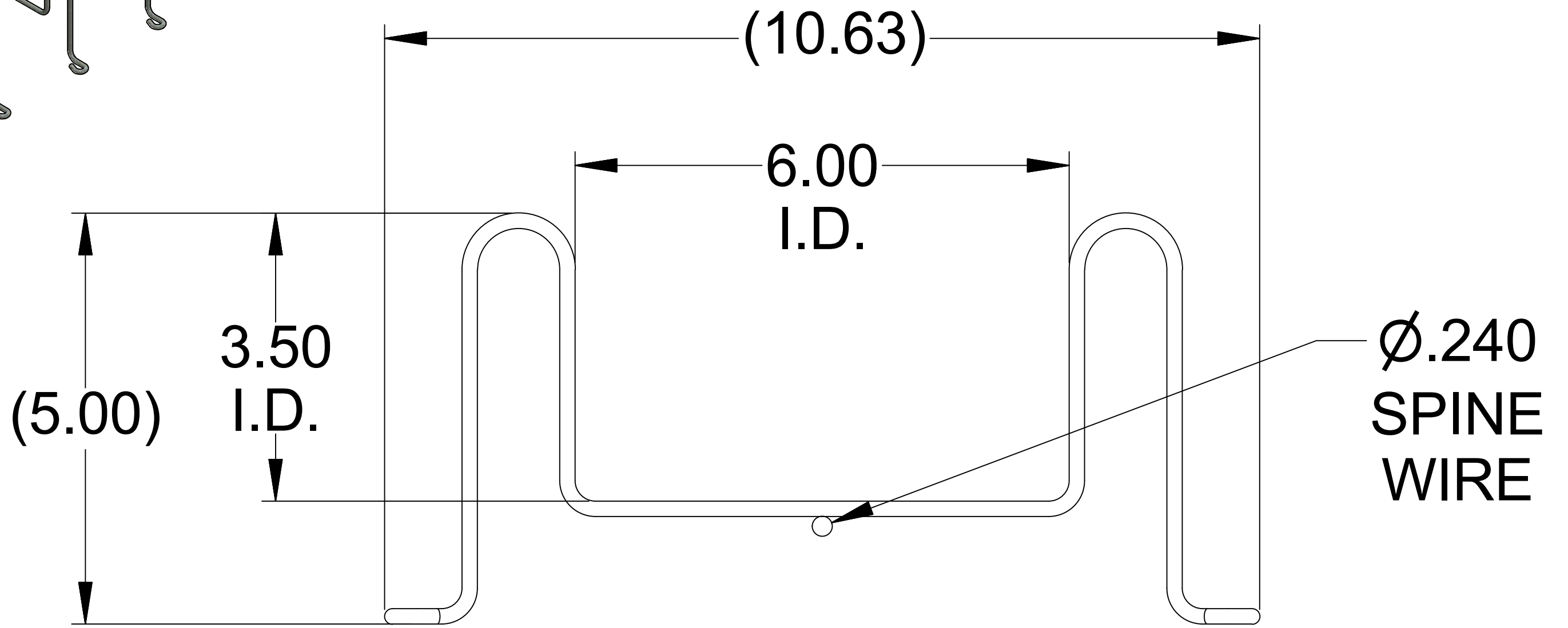
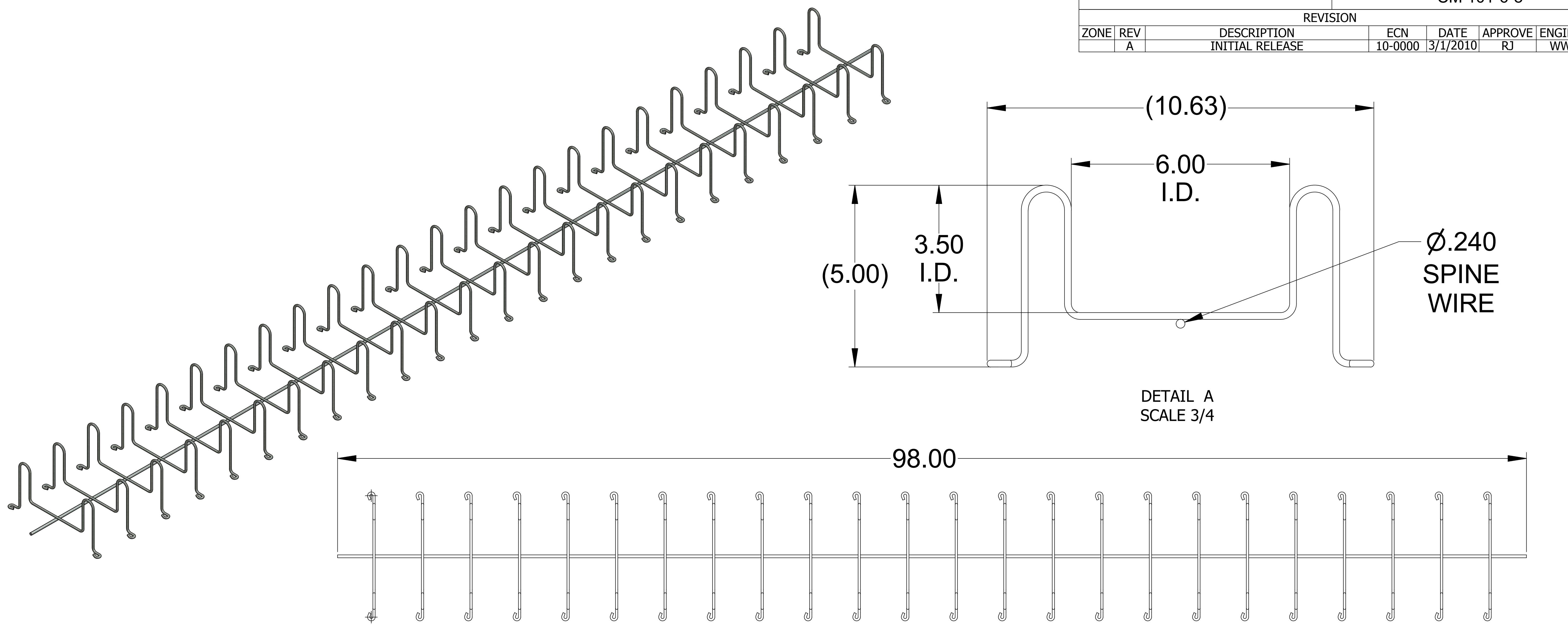
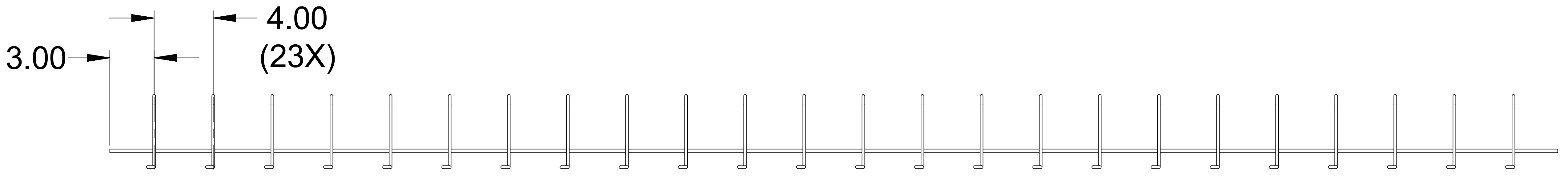
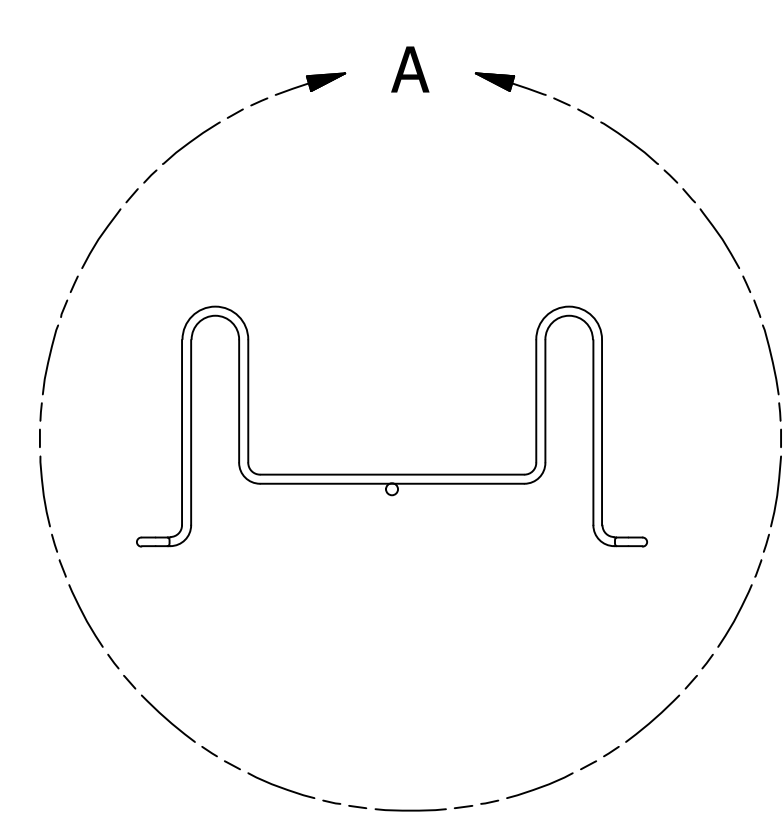
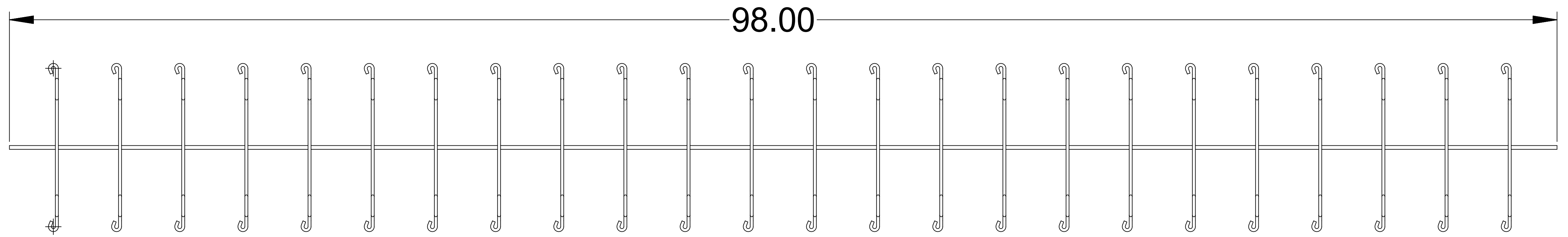


DWG NO:		CM 101-6-8				
REVISION						
ZONE	REV	DESCRIPTION	ECN	DATE	APPROVE	ENGINE
	A	INITIAL RELEASE	10-0000	3/1/2010	RJ	WW



DETAIL A
SCALE 3/4



<p>CONFIDENTIAL</p> <p>THIS DRAWING IS THE SOLE PROPERTY OF, AND IS PROPRIETARY TO, CABLE MANAGEMENT SOLUTIONS, INC. THIS DRAWING AND/OR INFORMATION SHALL BE KEPT CONFIDENTIAL, AND MAY NOT BE REPRODUCED, MODIFIED, DISCLOSED, OR MADE AVAILABLE TO OTHERS, WITHOUT THE EXPRESS WRITTEN CONSENT OF SNAKETRAY.</p>	MATERIAL	ALL TOLERANCES IF NOT INDICATED ARE: FRACTIONS= ± 1/32TH .XX= ± .015 .XXX= ± .005 ANGULAR= ± 1/2 DEGREE		<p>CABLE MANAGEMENT SOLUTIONS, INC. 291 SKIP LANE BAY SHORE, NY 11706</p>							
	GALVANIZED	DRAWN BY	DATE		TITLE:						
<p>PATENTS</p> <p>SNAKETRAY, SNAKE CANYON, WALL SNAKE AND LADDER SNAKE PRODUCTS ARE COVERED BY ONE OR MORE OF THE FOLLOWING PATENTS: #6,637,704, #6,637,165, #6,463,704, #6,460,812, #6,449,912, #6,361,000, #6,347,493, #6,019,323, #5,953,870, M.R.#5,838,776 AND U.S. #737,813.</p>	FINISH	W. WEST	3/1/2010	101 SERIES FLOOR MOUNT, SNAKE TRAY, 6"							
	NONE	CHECKED BY	E. RENZ	10/13/2011	SIZE	USED ON	DWG NO				
		ENGINEERING	R. JETTE	10/13/2011	D	101 SERIES	CM 101-6-8				
					SCALE	NONE	RELEASE DATE	SHEET	1 OF 1	REV. NO	A