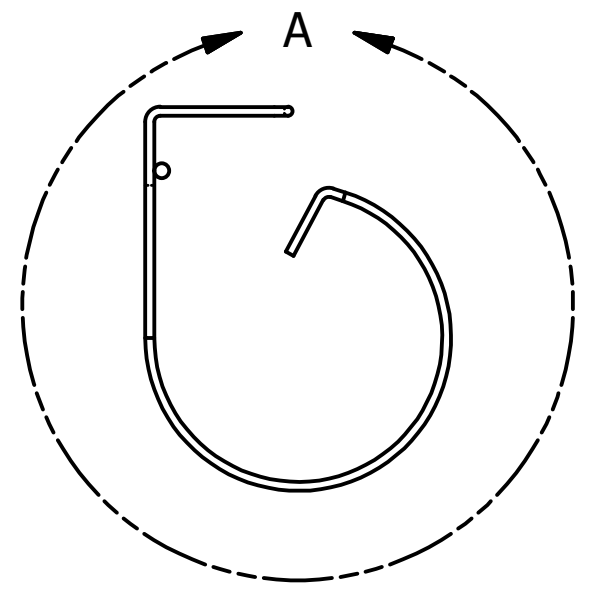
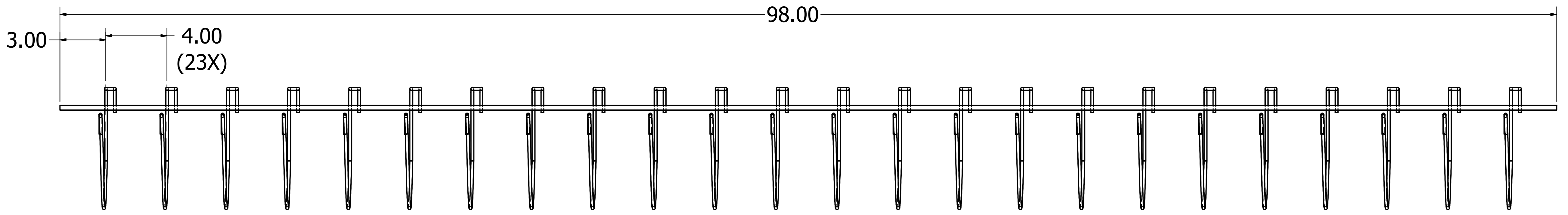
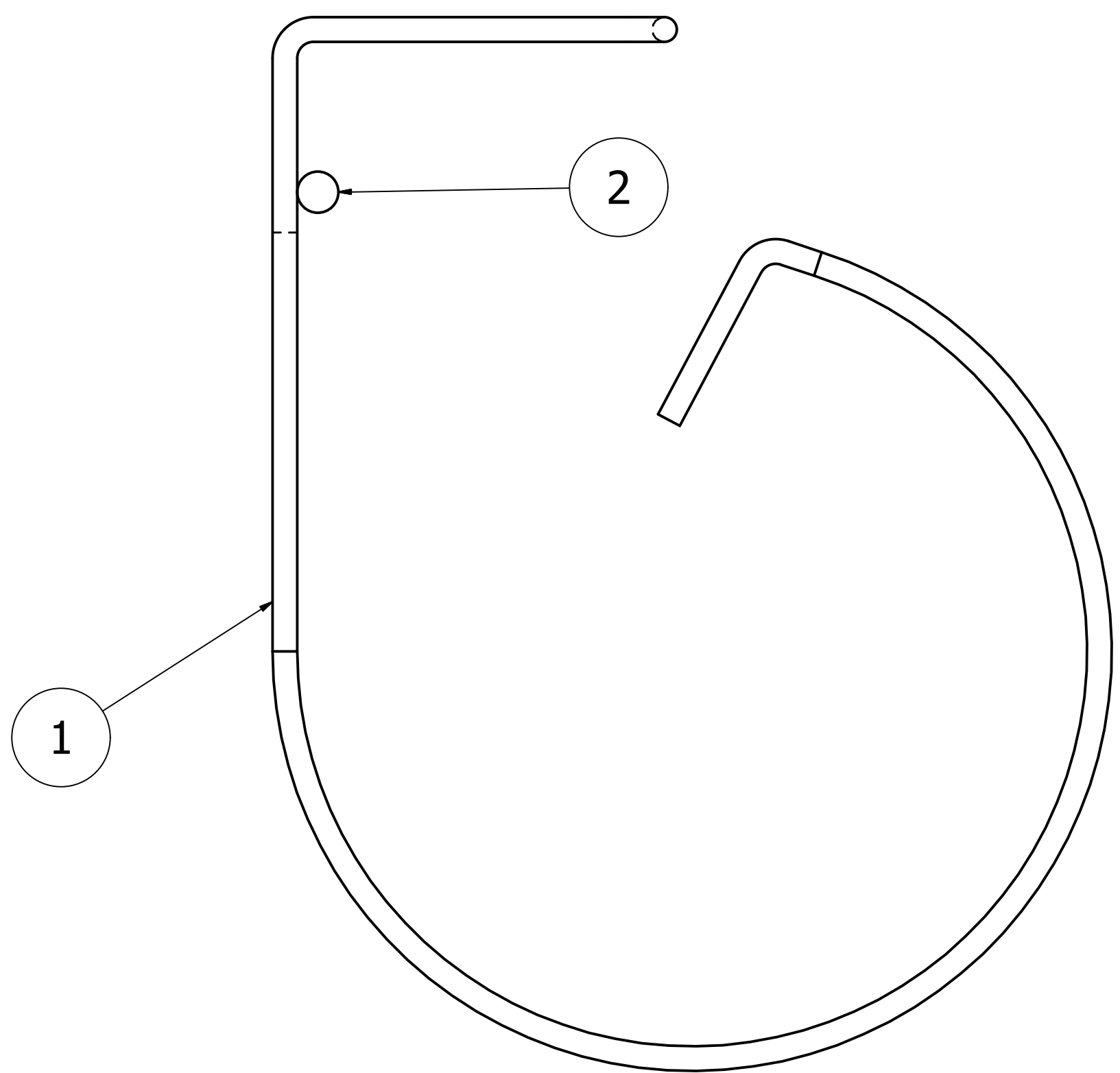
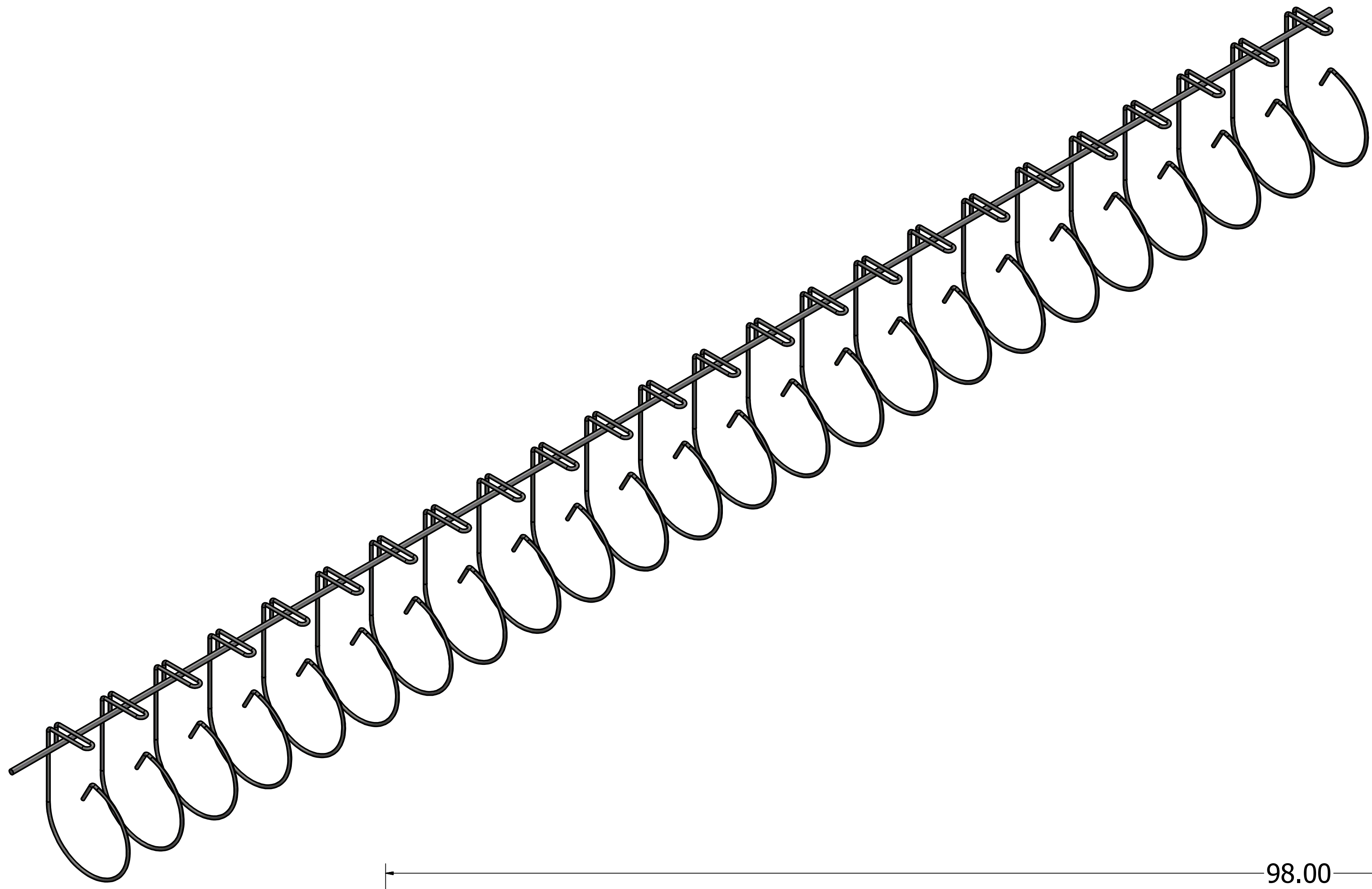



DWG NO: CM 454-6-8-G						
REVISION						
ZONE	REV	DESCRIPTION	ECN	DATE	APPR	ENGR
	A	INITIAL RELEASE	17-0000	3/23/17	RJ	WW



PARTS LIST			
ITEM	QTY	PART NUMBER	DESCRIPTION
1	24	PF 454-6-G	454 SERIES 6" HOOP
2	1	PF 201/501-SPINE-G	.312 DIA X 98" LONG SPINE WIRE

<p><b>CONFIDENTIAL</b> THIS DRAWING IS THE SOLE PROPERTY OF, AND IS PROPRIETARY TO, CABLE MANAGEMENT SOLUTIONS, INC. THIS DRAWING AND/OR INFORMATION SHALL BE KEPT CONFIDENTIAL, AND MAY NOT BE REPRODUCED, MODIFIED, DISCLOSED, OR MADE AVAILABLE TO OTHERS, WITHOUT THE EXPRESS WRITTEN CONSENT OF SNAKETRAY.</p>	MATERIAL	<p>ALL TOLERANCES IF NOT INDICATED ARE: FRACTIONS= ± 1/32TH .XX= ± .015 .XXX= ± .005 ANGULAR= ± 1/2 DEGREE</p>		<p><b>CABLE MANAGEMENT SOLUTIONS, INC.</b> 291 SKIP LANE BAY SHORE, NY 11706</p>		
	FINISH				<p>GALVANIZED</p>	
	TREATMENT				<p>NONE</p>	
<p><b>PATENTS</b> SNAKETRAY, SNAKE CANYON, WALL SNAKE AND LADDER SNAKE PRODUCTS ARE COVERED BY ONE OR MORE OF THE FOLLOWING PATENTS: #6,637,704, #6,637,165, #6,463,704, #6,460,812, #6,449,912, #6,361,000, #6,347,493, #6,019,323, #5,953,870, #5,839,702 AND AUS #737,813.</p>	DRAWN BY	DATE	TITLE:			
	ENGINEERING	<p>W. WEST</p>	<p>3/23/2017</p>	<p>6" UNIVERSAL SNAKETRAY, 8' LONG</p>		
	SCALE	<p>B. RENZ</p>	<p>3/23/2017</p>	SIZE	USED ON	DWG NO
	<p>R.JETTE</p>	<p>3/23/2017</p>	<p>D</p>		<p>CM 454-6-8-G</p>	
			SCALE	RELEASE DATE	SHEET	REV. NO
			<p>NONE</p>	<p>3/23/2017</p>	<p>1 OF 1</p>	<p>A</p>