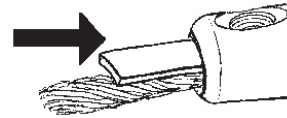


Filler piece

To splice the copper screen around the conductors, a filler piece is required that is placed between the screw and the screen. To select the correct filler piece, see table. Requires 2 filler pieces per splice.



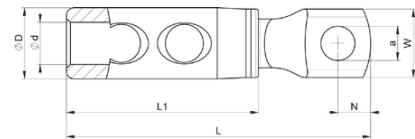
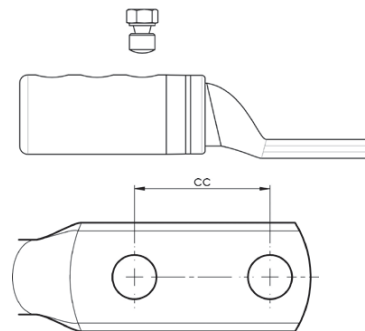
SC95N PEN

Name	Screen conductor	Note
SC95N/PEN	16-57*	*16-50 mm ² (SC95N) / 16-57 mm ² (SC95R95S)
SC150N/PEN	21-95	
SC240/PEN	29-146	

Shearbolt terminals 10 - 630 mm² (pre-assembled screw)

Properties:

- screw material: brass for minimum friction
- pre-assembled shear-off screws for easy handling
- voltage range: 1 kV for SL50N-10-12, SL95N-10-12 and SL240N-10-12, 1-36 kV for the others
- meets the requirements of standard IEC 61238-1
- the terminals are of the bimetallic type



Cable type round mm ²	Cable type sector mm ²	Name	Screen conductor	Screen conductor (with filling piece)	Screw	W mm	d	D	N	cc	a	L	L1	t	s
10-50	10-50	SL50N-10-12	10-35		M10, M12	25,5	12	20/17,3	12,5	13	87	44	5,9	32	
35-95	35-95	SL95N-10-12	57-95	16-50 (SC95N/PEN)	M12, M10	27,3	16	17/23	12,5	13	96	52,5	4,7	56	
120-240	120-240	SL240N-10-12		29-146 (SC240/PEN)	M12, M10	31,5	25	38/33,1	15	13	144,586	7,6	76		
185-240		SL240R-12-16			M12, M16	30	20	33,5	15	12	134	79	7,9	75	
185-240		SL240R-12X2-40			M12x2	31,5	20,0	33,5	15	40	12	174	79	7,9	75
300-400		SL400R-12X2-40			M12x2	42	25,8	41,5	15	40	12	210	103	9,6	99
630		SL630B-12X2-40			M12x2	55	33,0	49,0	17	40	12	218	115	11,7	108

t = palm thickness, s = strip length