

## Multicleat/Multistrap System 378JB Series



Multicleat and multistrap now use a new and improved locking mechanism making the installation quicker and easier. They also come with a disposable tensioning aid that was introduced in response to customer requests to improve the closure of the cleats and speed of installation. The adapter fits into the open end of the winding pin and is used with a standard 13mm socket wrench to tighten the strap. The same 13mm socket is then used to tighten the locking nut, finishing the installation.

### Features and benefits

- Suitable for use with trefoil cable diameters 24 to 145mm.
- Suitable for use with single cable diameters 36 to 120mm.
- Large range take on each size.
- All straps manufactured from non-magnetic 316L Stainless Steel.
- Stainless steel base for harsher environments.
- Operating temperatures -40°C to +120°C.
- Liners are made from LSOH materials.
- Suitable for single core cables laid in trefoil formation with high fault current capacities.
- Suitable for use with all standard ladder and tray systems.
- Suitable for groups of dissimilar cables.
- Tested in accordance with BS EN 61914 (IEC 61914)

### Performance Data

BS EN 61914:2016 (IEC 61914:2015)	Clause	Classification
Type	6.1.3	Composite
Operating Temperature	6.2	-40°C to +120°C
Resistant to electromechanical forces, withstanding one short circuit	6.4.4	Heavy duty strap (3 wraps): 61.3kA RMS, 135kA Peak, cleat spacing= 600mm, cable Ø= 38mm
		Heavy duty strap (3 wraps): 61.8kA RMS, 136kA Peak, cleat spacing = 900mm, cable Ø= 38mm

Clause	Classification
Resistant to electromechanical forces, withstanding more than one short circuit	6.4.5 Heavy duty strap (3 wraps): 61.3kA RMS, 135kA Peak, cleat spacing= 600mm, cable Ø= 38mm
	Heavy duty strap (3 wraps): 55kA RMS, 121kA Peak, cleat spacing= 900mm, cable Ø= 38mm
Resistance to Corrosion	6.5.2.2 High, Outdoor - Wet unpolluted conditions
Resistance to Ultraviolet light	6.5.1.2 Pass

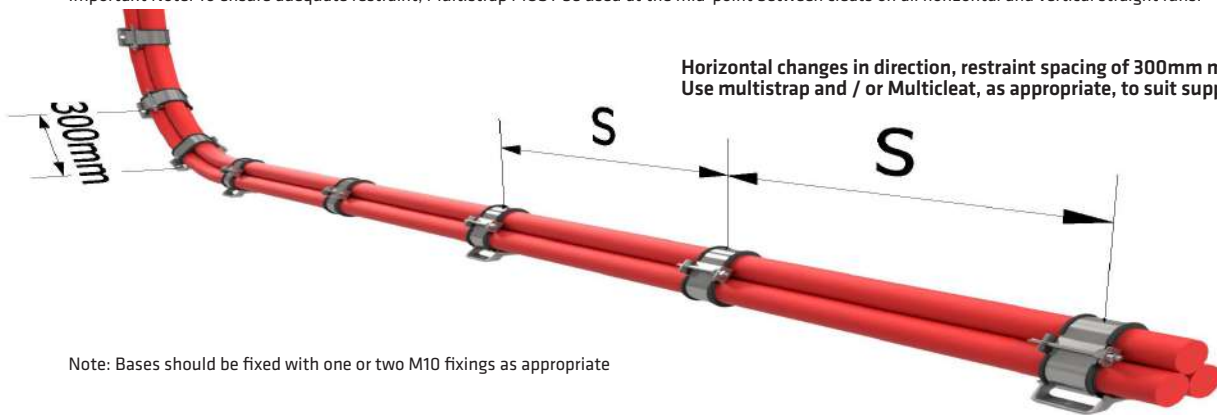
\* short circuit completed in conjunction with multistrap in a cleat-strap-cleat arrangement



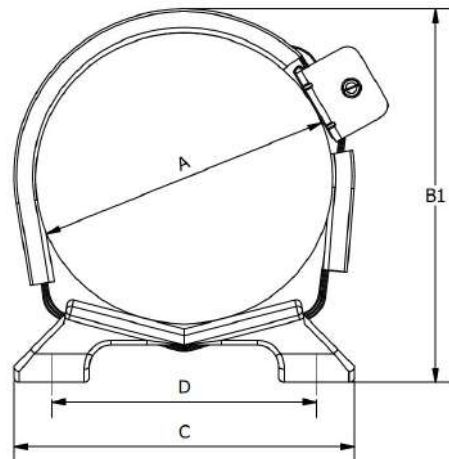
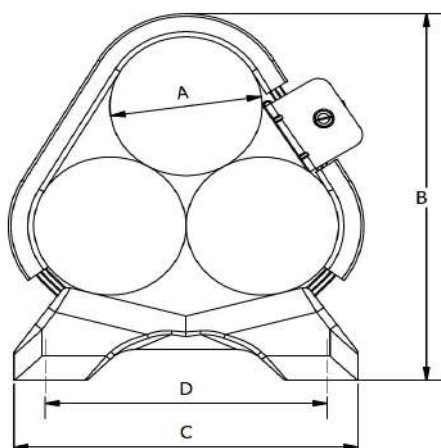
Cable and Cleat Selection						Dimensions				Multistrap		
Design Number		Trefoil Cable Diameter		Single Cable Diameter		B Trefoil	B1 Single	C	D	Weight (kg)	Standard Strap	Heavy duty Strap
Standard Strap	Heavy Duty Strap	Min	Max	Min	Max	mm	mm	mm	mm			
378JB01	378JB51	24	34	36	65	95	92	126	100	0.54	377AB01	377AB51
378JB02	378JB52	30	41	60	85	110	113	120	100	0.69	377AB02	377AB52
378JB03	378JB53	37	47	80	90	121	118	126	100	0.78	377AB03	377AB53
378JB04	378JB54	43	54	85	110	135	138	126	100	0.8	377AB04	377AB54
378JB05	378JB55	50	60	-	-	146	-	132	100	0.82	377AB05	377AB55
378JB06	378JB56	56	67	-	-	160	-	132	100	0.85	377AB06	377AB56
378JB07	378JB57	63	73	-	-	172	-	152	125	1.02	377AB07	377AB57
378JB08	378JB58	69	80	-	-	186	-	152	125	1.04	377AB08	377AB58
378JB09	378JB59	-	-	105	120	-	148	126	100	0.82	377AB09	377AB59
-	378JB36	72	85	-	-	190	-	230	200	1.45	-	377AB36
-	378JB37	82	95	-	-	210	-	230	200	1.49	-	377AB37
-	378JB38	92	105	-	-	230	-	230	200	1.52	-	377AB38
-	378JB39	102	115	-	-	250	-	290	250	2.55	-	377AB39
-	378JB40	112	125	-	-	270	-	290	250	2.58	-	377AB40
-	378JB41	122	135	-	-	290	-	290	250	2.61	-	377AB41
-	378JB42	132	145	-	-	315	-	290	250	2.64	-	377AB42

\* Technical Information subject to change without notice

**Important Note:** To ensure adequate restraint, Multistrap **MUST** be used at the mid-point between cleats on all horizontal and vertical straight runs.



Note: Bases should be fixed with one or two M10 fixings as appropriate



**Prysmian Cables & Systems Limited,**  
Oak Road, Wrexham Industrial Estate, Wrexham, LL13 9PH, UK

**Commercial Enquiries,**  
Sales Office Tel: 0845 767 8345,  
International Sales Office Tel: +44 2380 295481

