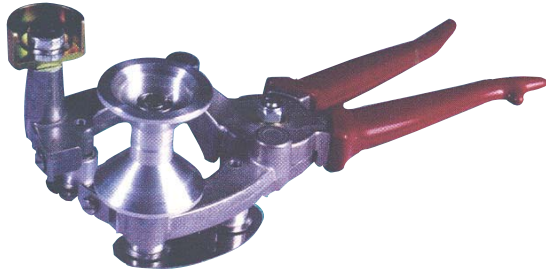


Tooling

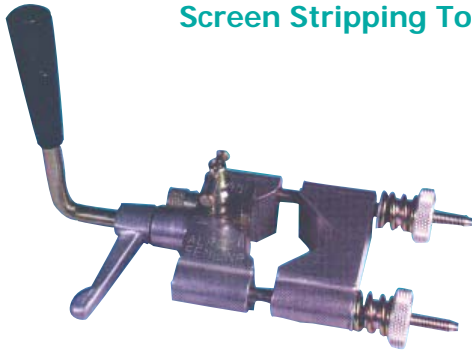
Cable Stripping Tools

Stripping Pliers



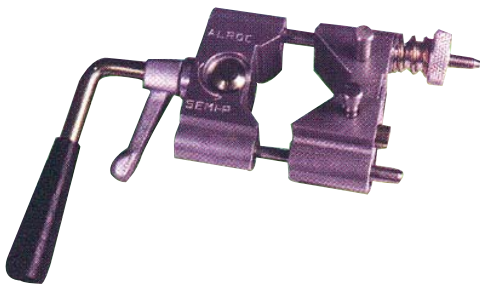
- > Removes PVC, PE and EPR sheaths
- > Suitable for single-core or three core cables
- > Right or left handed

Screen Stripping Tools



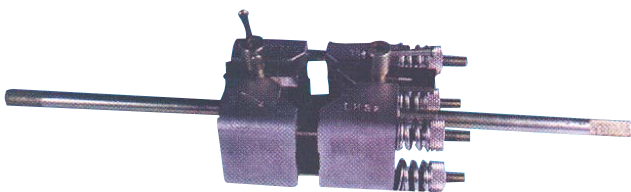
- > Removes bonded semi-conductor screen

Adjustable Screen Scoring Tools



- > To remove peelable semi-conductor screen

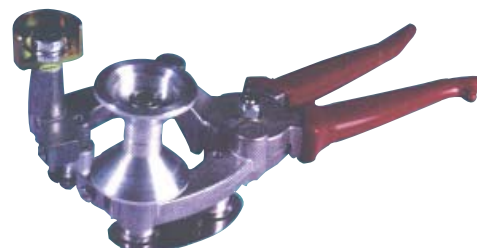
Adjustable Insulation Stripping Tools



- > Removes insulation without damage to the core

Tooling Details

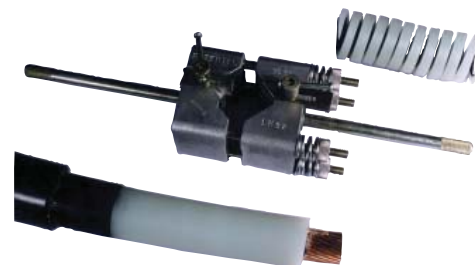
- > These pliers remove plastic, rubber, thin foil and soft metal sheaths
- > Fixed cutting blade depth
- > Incorporates linear and axial cutting action with sheath removal end blades
- > Precision tool in light cast aluminium
- > Cutting blades run on smooth action bearing for ease of use
- > Spare blades available for all pliers



Sheath Stripping Pliers	
Ref No.	Description
8YR0-PG0FP	Suitable for FP200
8YR0-PG0	5 - 17mm Dia
8YR0-PG1	8 - 21mm Dia
8YR0-PG2	21 - 35mm Dia
8YR0-PG3	26 - 52mm Dia
8YR0-PG4	45 - 75mm Dia
8YR0-PG5	65 - 95mm Dia
8YR0-PG6	80 - 125mm Dia

Adjustable Insulation Stripping Tool

- > Used to cut plastic and elastometric insulation from high and medium voltage single-core cables and low voltage three-core cable.
- > Robust design
- > Locking blade depth
- > Handle detaches to aid storage
- > Spare blades available



Adjustable Insulation Stripping Tools	
Ref No.	Description
8YR0-LH1	14 - 40mm Dia
8YR0-LH2	38 - 60mm Dia
8YR0-LH3	60 - 80mm Dia
8YR0-LH4	80 - 100mm Dia
8YR0-LH5	100 - 140mm Dia
8YR0-BRMCD1	LH1 c/w depth guage 14 - 40 Dia

Screen Edge Lifter

- > Used to catch the peelable semi-conductor

Screen Edge Lifter
Ref No.
8YR0-DSP

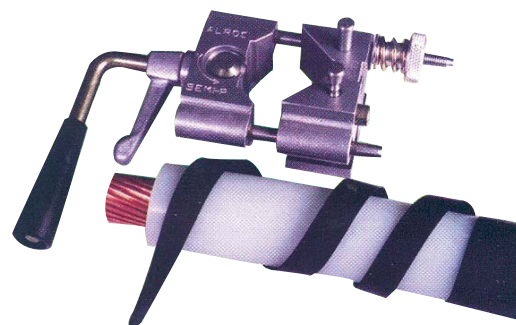


Tooling Details

Adjustable Screen Scoring Tools

- > This tool removes the peelable semi-conductor
- > Robust design
- > Adjustable handle for comfort
- > Locking stop gauge for accurate lengths
- > Spare blades available

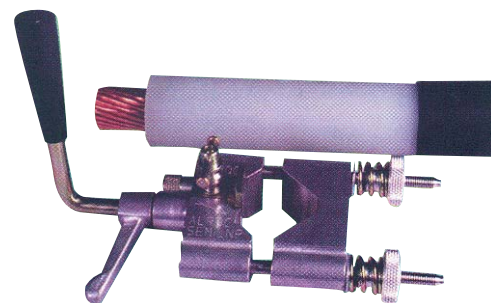
Adjustable Screen Scoring	
Ref No.	Description
8YR0-LHM1R	14 - 40mm Dia
8YR0-LHM2R	38 - 60mm Dia



Screen Stripping Tools

- > This tool removes the bonded semi-conductor
- > Robust design
- > Adjustable handle for comfort
- > Lockable blade depth
- > Spare blades available

Adjustable Screen Scoring	
Ref No.	Description
8YR0-ASC40R1	14 - 40mm Dia
8YR0-ASC40R2	38 - 60mm Dia
8YR0-LHS3	60 - 80mm Dia
8YR0-LHS4	80 - 110mm Dia
8YR0-LHS5	100 - 140mm Dia



Fixed Blade Scoring Tools

- > Small solid construction
- > Spare blades available

Fixed Blade Scoring Tool	
Ref No.	Description
TT2352-1	0.4mm (0.015") depth
TT2352-2	0.6mm (0.025") depth
TT2352-3	1.5mm (0.06") depth



SHEATH SPREADERS

- > Used to spread the sheath to facilitate the passing of the shield connection

Sheath Spreaders	
Ref No.	Description
8YRO-EV50-95	50/95mm ²
8YRO-EV150-240	150/240mm ²



Tooling Details

Insulation Chamfering Tool

- > This tool allows cylinder and tapered stripping of high and very high voltage single-core dry cables
- > The insulation cutting angle is fully adjustable by means of a graduated rule
- > Supplied in wooden box

Insulation Chamfering Tool	
Ref No.	Description
8YR0-NO2	38 - 60mm Dia (LHC2)
8YR0-NO3	60 - 80mm Dia (LHC3)
8YR0-NO4	95 - 110mm Dia (LHC4)
8YR0-NO5	100 - 140mm Dia (LHC5)

Outer Sheath Roller Pliers

- > This tool is used to reposition the cable shield ahead of ligature connection

Outer Sheath Roller Pliers	
Ref No.	Description
8YR0-ALROCAN	11kV 50-240mm

Adjustable Tapering Tool

- > This tool produces a taper, only on the insulation

Adjustable Tapering Tool	
Ref No.	Description
8YR0-LHA	

Scraper Tool

- > This tool removes marks on the semi-conductor

Aluminium Scraper Tool	
Ref No.	Description
8YR0-SCRAPER	Adjustable (Aluminium)
8YR0-SCRAPER-B	Fixed (Phosphor Bronze)