

Low Voltage Universal Cable Joint

(Excludes Connectors)

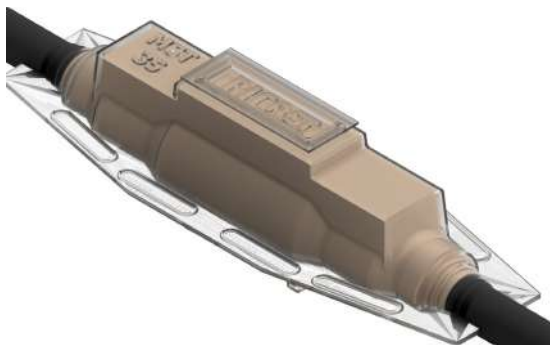
JST



Low Voltage Universal Straight Joints- 600-1000V. Suitable for use with SWA cables to BS5467, BS6346 and IEC502 with polymeric insulation and copper and aluminium conductors from 1.5mm² to 400mm².

Features and benefits

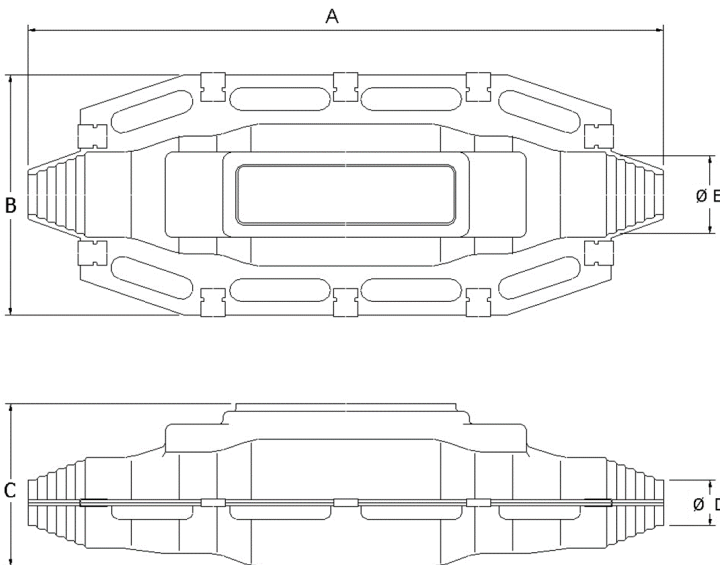
- Tested and approved to BS EN 50393 and ENATS TS C81/3.
- Includes a constant force spring armour bond.
- Utilizes Prysmian's Low hazard isocyanate free JEM resin.
- Utilizes transparent shells which offer greater visibility during installation and are sized to allow the use of either compression or mechanical connectors (sold separately)



Technical Data

Joint Selection				
Nominal Conductor Cross Section (mm ²)	Two Core	Three Core	Four Core	Five Core
1.5	JST6	JST6	JST6	JST6
2.5	JST6	JST6	JST6	JST6
4	JST6	JST6	JST6	JST6
6	JST6	JST6	JST6	JST6
10	JST6	JST16	JST16	JST16
16	JST16	JST16	JST16	JST16
25	JST16	JST16	JST35	JST35
35	JST35	JST35	JST35	JST35
50	JST95	JST95	JST95	
70	JST95	JST95	JST95	
95	JST95	JST95	JST95	
120	JST185	JST185	JST185	
150	JST185	JST185	JST185	
185	JST185	JST185	JST185	
240	JST300	JST300	JST300	
300	JST300	JST300	JST300	
400	JST400	JST400	JST400	

Note : JST joints are provided without connectors, compression or mechanical connectors can be provided separately.



Joint Ref	Shell Dimensions (mm)				
	A	B	C	Min Box Entry ØD	Max Box Entry ØE
JST6	240	115	75	12	22
JST16	310	125	85	20	35
JST35	390	130	100	24	40
JST95	620	160	130	27	51
JST185	795	230	205	40	65
JST300	950	240	210	55	80
JST400	1100	275	260	56	92