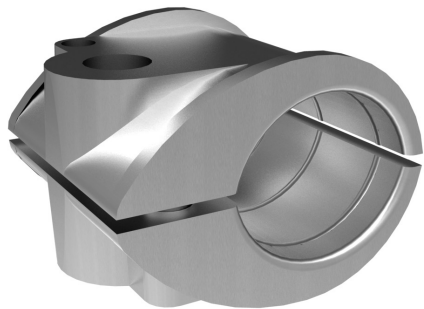


# Claw Cleat (Aluminium)

## 370 Series



The Aluminium Claw Cleat is an LUL approved cable which is the superior choice for industrial or outdoor areas.

### Features and benefits

- Suitable for use with cable diameters 10 to 51mm.
- Manufactured from aluminium alloy.
- Two-piece, single fixing design.
- Operating temperature -60°C to +105°C.
- Can be used for all types of cable routes.
- Plain finish - for normal industrial areas or outdoor unpolluted areas.
- Epoxy coated versions available for harsher environments.
- Packing pieces to be used where required.
- LUL APR Product ID 1959.

### Performance Data

BS EN 61914:2016	Clause	Classification		Clause	
Type	6.1.1	Metallic	Axial Load	6.4.3	1.5 - 3 kN
Operating Temperature	6.2	-60°C to +105°C	Resistance to Short Circuit	6.4.5	32.3kA RMS, 71kA Peak, cable spacing = 100mm cleat spacing = 600mm cable Ø = 37mm
Impact Resistance	6.3.5	Very Heavy	Resistance to Corrosion	6.5.2.2	High, Outdoor - Wet unpolluted conditions
Lateral Load	6.4.2	Orientation 2b: 6- 8 kN Orientation 2d: 2.6- 8kN			

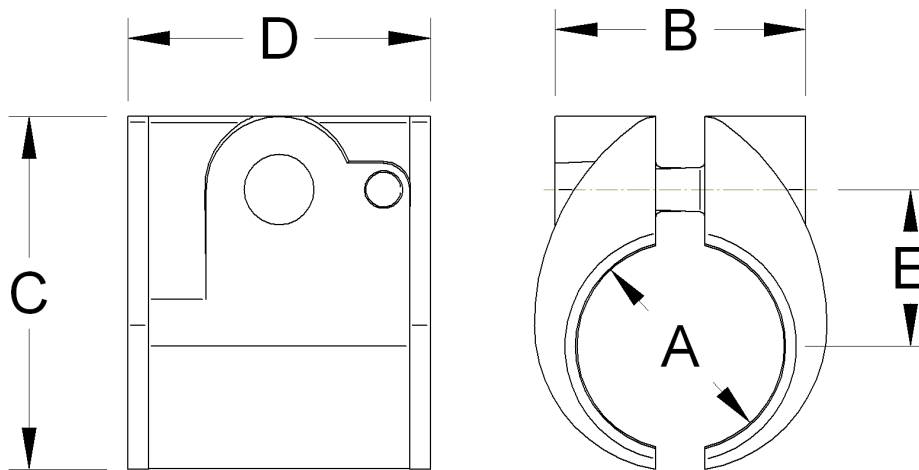
\*Technical Information subject to change without notice



## Technical Data

Cable and Cleat Selection				Cleat Details					
Design Number		Cable Diameter		Dimensions (mm)				Weight (g)	Stud Size
Standard	Epoxy Coated	A (mm)		B	C	D	E		
		Max	Max						
370BA01	370BB01	10	13	21	38	46	16	60	M10
370BA02	370BB02	13	16	21	38	46	16	50	M10
370BA03	370BB03	16	19	24	41	46	18	60	M10
370BA04	370BB04	19	22	27	44	46	19	70	M10
370BA05	370BB05	22	25	30	48	46	21	80	M10
370BA06	370BB06	25	32	37	54	46	24	90	M10
370BA07	370BB07	32	38	43	60	46	27	110	M10
370BA08	370BB08	38	44	49	67	46	30	120	M10
370BA09	370BB09	44	51	56	73	46	34	150	M10

In all applications the cleats should be mounted on suitable M10 fixings. When mounting directly on channel, adaptor plate 380AG02 should be used. When stacking claw cleats use packing piece 389AC03 between cleats.



**Prysmian Cables & Systems Limited,**  
Oak Road, Wrexham Industrial Estate, Wrexham, LL13 9PH, UK

**Commercial Enquiries,**  
Sales Office Tel: 0845 767 8345,  
International Sales Office Tel: +44 2380 295481

[www.biconcomponents.co.uk](http://www.biconcomponents.co.uk)