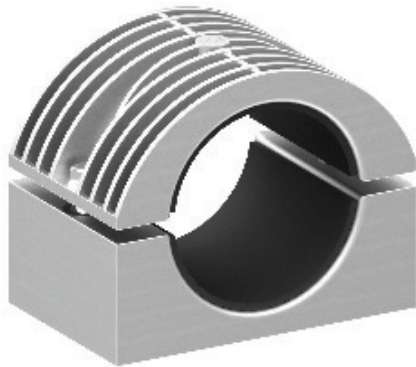


Heavy Duty Two Bolt Cleat (Aluminium)

370 Series



Heavy duty aluminium two bolt cleat specifically designed for HV cables installed along both horizontal and vertical routes.

Features and Benefits

- Ideally suitable for larger cables with diameters 100 to 159 mm.
- Manufactured from aluminium alloy.
- Two-piece, two fixing design.
- Operating temperature -60°C to +105°C.
- Designed to protect the cable sheaths during installation.
- Plain finish - for normal industrial areas or outdoor unpolluted areas.
- Epoxy coated versions available for harsher environments.
- Supplied with rubber liners.
- Tested in accordance with BS EN 61914.

Performance Data

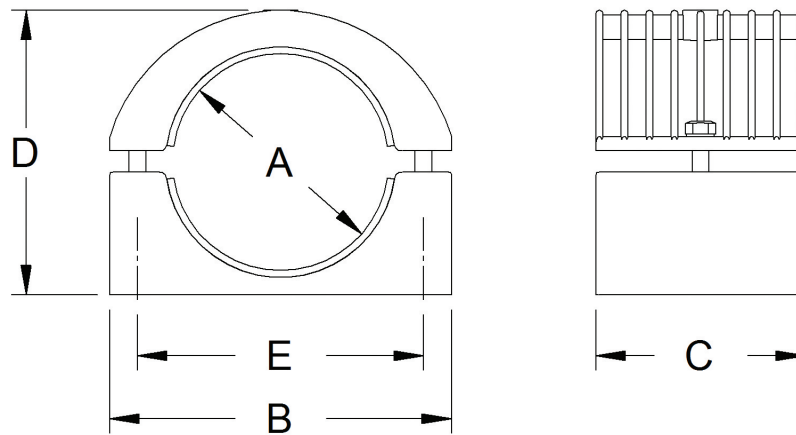
Test Standard	BS EN 61914
Type	6.1.1 Metallic
Impact Resistance	6.3.3 V. Heavy
Lateral Load	50 kN
Axial Load	8kN
Needle Flame	>120 secs

* Technical Information subject to change without notice



Technical Data

Cable and Cleat Selection				Cleat Details				Weight (g)
Design Number		Cable Diameter		Dimensions (mm)				
Standard	Epoxy Coated	A (mm)		B	C	D (max)	E	
		Min	Max					
370HD01	370HE01	105	115	210	110	165	170	2517
370HD02	370HE02	115	125	220	120	175	180	2797
370HD03	370HE03	125	135	230	130	185	190	3268
370HD04	370HE04	135	145	240	140	195	200	3598
370HD05	370HE05	145	155	245	150	205	205	3853
370HD06	370HE06	155	165	260	160	215	220	4291



Prysmian Cables & Systems Limited,
Oak Road, Wrexham Industrial Estate, Wrexham, LL13 9PH, UK

Commercial Enquiries,
Sales Office Tel: 0845 767 8345,
International Sales Office Tel: +44 2380 295481

www.biconcomponents.co.uk

