

Orbit Cleat 379 Series



The 379 series should be used when you need the best level of protection in harsh environments under the highest fault conditions.

Features and benefits

- Suitable for use with cable diameters 30 to 150mm.
- Single or double bolt fixing with reversible base for range taking.
- Ergonomic design allows easy installation, with single tool tightening from the top side.
- Manufactured from non-magnetic, corrosion resistant 316L stainless steel.
- Liners are made from LSOH materials.
- Suitable for use with single and multicore cables with high fault current requirements.
- Suitable for standard and LSOH cable sheaths.
- Can be used with all standard ladder and tray systems.
- Tested in accordance with BS EN 61914 (IEC 61914).

Performance Data

| BS EN 61914 | Clause | Classification | | Clause | Classification |
|-----------------------|--------|---|--------------------------------|---------|--------------------------------|
| Type | 6.1.3 | Composite | Axial Load | 6.4.3 | 0.24kN |
| Operating Temperature | 6.2 | -60°C to +60°C | Resistant to Corrosion | 6.5.2.2 | High, Outdoor - wet conditions |
| Impact Resistance | 6.3.5 | Very Heavy | Resistant to ultraviolet light | 6.5.1.2 | Pass |
| Lateral Load | 6.4.3 | Orientation 2a: 14.5kN Orientation 2a: 14.5kN | | | |

| BS EN 61914:2016 (IEC 61914:2015) | Clause | Classification |
|---|--------|--|
| Resistant to electromechanical forces, withstanding more than one short circuit | 6.4.5 | 77.3kA RMS, 170kA Peak, Cable spacing = 125mm, Cleat spacing = 600mm cable Ø = 66mm, |

* Technical Information subject to change without notice

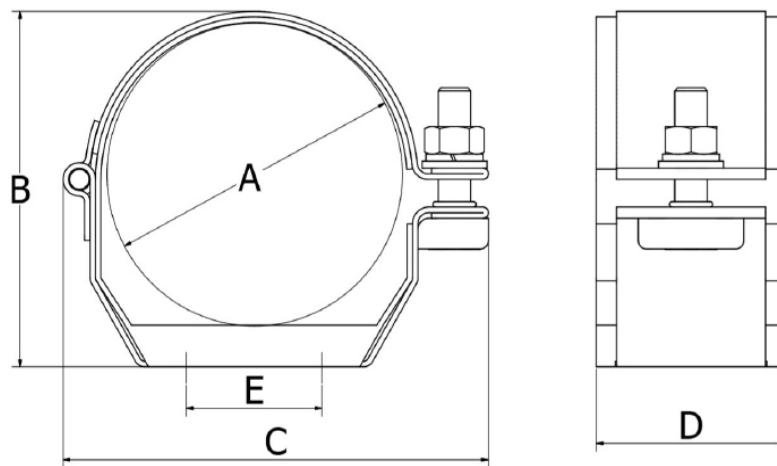


Technical Data

| Cleat Selection | | | Cleat Details | | | | Weight (g) |
|-----------------|----------------|-----|-----------------|-----|----|------------------|------------|
| Design Number | Cable Diameter | | Dimensions (mm) | | | | |
| | A (mm) | | B | C | D | E | |
| | Min | Max | | | | | |
| 379SC01 | 30 | 40 | 65 | 86 | 70 | Centre hole only | 435 |
| 379SC02 | 38 | 46 | 71 | 92 | 70 | Centre hole only | 467 |
| 379SC03 | 45 | 53 | 78 | 99 | 70 | Centre hole only | 499 |
| 379SC04 | 52 | 60 | 85 | 106 | 70 | 25 | 530 |
| 379SC05 | 59 | 67 | 92 | 113 | 70 | 25 | 526 |
| 379SC06 | 66 | 74 | 99 | 120 | 70 | 25 | 558 |
| 379SC07 | 72 | 82 | 111 | 132 | 70 | 25 | 639 |
| 379SC08 | 82 | 92 | 120 | 141 | 70 | 25 | 683 |
| 379SC09 | 92 | 103 | 130 | 151 | 70 | 50 | 737 |
| 379SC10 | 103 | 113 | 139 | 160 | 70 | 50 | 784 |
| 379SC11 | 113 | 123 | 148 | 169 | 70 | 50 | 764 |
| 379SC12 | 122 | 132 | 157 | 178 | 70 | 50 | 865 |
| 379SC13 | 131 | 141 | 156 | 177 | 70 | 50 | 908 |
| 379SC14 | 140 | 150 | 175 | 196 | 70 | 75 | 950 |

* Technical Information subject to change without notice

All cleats have a single central fixing hole for a 12mm diameter fixing bolt. Styles 04 to 14 can also be fixed with 2 x 10mm bolts - the 10mm clearance holes are positioned either side of the central hole with centres as per dimension E.



Prysmian Cables & Systems Limited,
Oak Road, Wrexham Industrial Estate, Wrexham, LL13 9PH, UK

Commercial Enquiries,
Sales Office Tel: 0845 767 8345,
International Sales Office Tel: +44 2380 295481

www.biconcomponents.co.uk