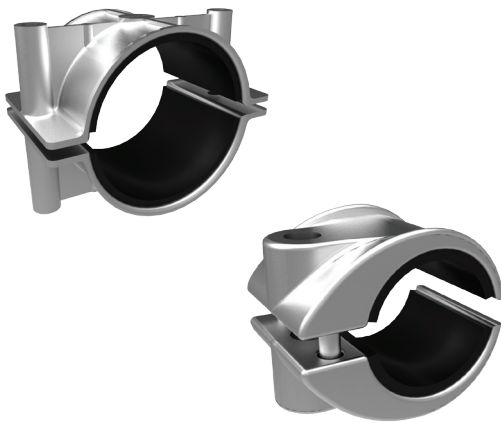


Rubber Lined Cleats (Aluminium)

370 Series



Two bolt aluminium cleats with optional rubber lining. Can be applied to all types of cable routes.

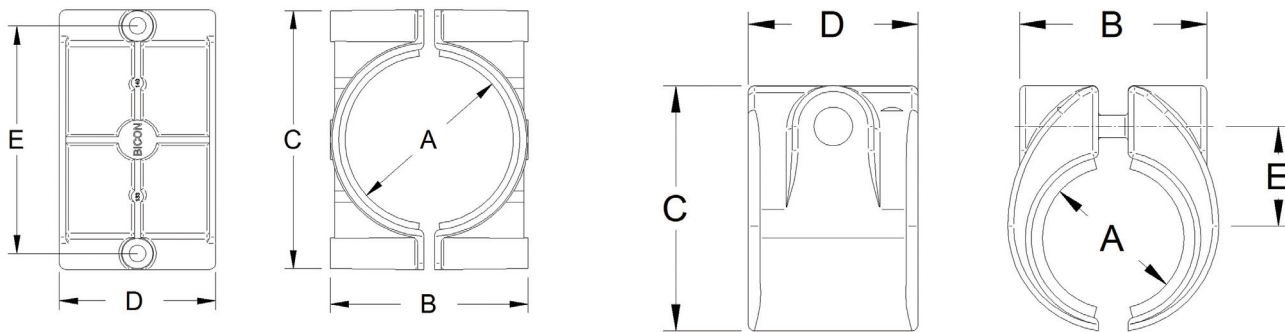
Features and Benefits

- Suitable for use with cable diameters 16 to 149mm.
- Manufactured from aluminium alloy.
- Sizes 05-09 - Two piece, single fixing claw design.
- Sizes 10-36 - Two piece, two fixing design.
- Can be double stacked on common fixings.
- Operating temperature -60°C to +105°C.
- Suitable for LV & HV cables.
- Can be used for all types of cable routes.
- Plain finish - for normal industrial areas or outdoor unpolluted areas.
- Epoxy coated versions available for harsh environments.
- Tested in accordance with BS EN 50368.
- LUL approved product register ID 1963.



Technical Data

Cable and Cleat Selection				Cleat Details							
Design Number		Cable Diameter		Style	Dimensions (mm)				Weight (g)	Stud Size	Liner Thickness (mm)
Standard	Epoxy Coated	A (mm)			B	C	D	E			
		Min	Max		Max						
370BA05L	370BB05L	16	19	single bolt claw	30	48	46	21	80	M10	3
370BA06L	370BB06L	19	26		37	54	46	24	90	M10	3
370BA07L	370BB07L	26	32		43	60	46	27	110	M10	3
370BA08L	370BB08L	32	38		49	67	46	30	120	M10	3
370BA09L	370BB09L	38	45		56	73	46	34	150	M10	3
370BA10L	370BB10L	45	51		70	98	49	76	230	M10	3
370BA11L	370BB11L	51	58		76	98	49	76	240	M10	3
370BA12L	370BB12L	58	64		82	135	64	114	384	M10	3
370BA13L	370BB13L	64	70		88	135	64	114	384	M10	3
370BA14L	370BB14L	70	77		96	140	64	114	420	M12	3
370BA15L	370BB15L	73	79	two bolt	101	140	64	114	490	M12	5
370BA16L	370BB16L	79	85		108	152	76	126	442	M12	5
370BA17L	370BB17L	85	91		114	152	76	126	442	M12	5
370BA18L	370BB18L	91	98		120	165	76	140	650	M12	5
370BA19L	370BB19L	98	104		126	165	76	140	650	M12	5
370BA30L	370BB30L	105	111		133	175	100	150	734	M12	5
370BA31L	370BB31L	111	117		139	175	120	150	720	M12	5
370BA32L	370BB32L	117	123		145	200	120	175	970	M12	5
370BA33L	370BB33L	123	130		152	200	120	175	956	M12	5
370BA34L	370BB34L	130	136		158	200	120	175	935	M12	5
370BA35L	370BB35L	136	142		164	210	120	185	893	M12	5
370BA36L	370BB36L	142	149		172	215	150	190	1325	M12	5



Prysmian Cables & Systems Limited,
Oak Road, Wrexham Industrial Estate, Wrexham, LL13 9PH, UK

Commercial Enquiries,
Sales Office Tel: 0845 767 8345,
International Sales Office Tel: +44 2380 295481

www.biconcomponents.co.uk



All Enquiries: tel: +44 (0)1744 762 929 | email: sales@etechcomponents.com | web: www.etechcomponents.com