



Sirius Cleat 379 series

- Suitable for use with cable diameters 23 to 128mm.
- Single or double bolt fixing with reversible base for range taking
- Operating temperatures -40°C to +120°C.
- Ergonomic design allows easy installation, with single tool tightening from the top side.
- Manufactured from non-magnetic, corrosion resistant 316L stainless steel.
- Liners are made from LSOH materials.
- Suitable for single core cables laid in trefoil formation with high fault current requirements.
- Suitable for standard and LSOH cable sheaths.
- Can be used in harsh environments.
- Suitable for use with all standard ladder and tray systems.
- Complies with BS EN 61914.

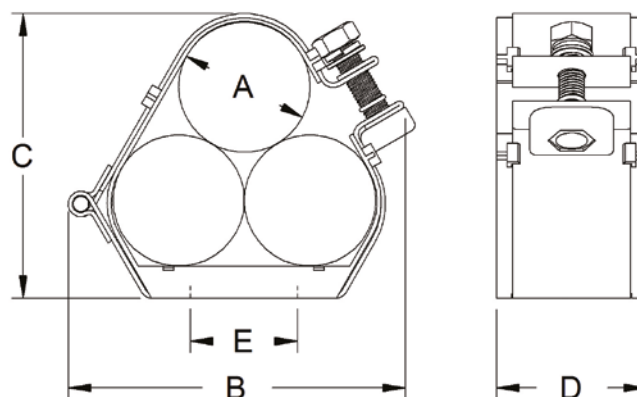
Technical Data

Cleat Selection			Cleat Details				
Design Number	Cable Diameter		Dimensions (mm)				
	A (mm)		B	C (max)	D	E	Weight (g)
	Min	Max					
379TC01	23	28	86	71	60	Centre hole only	500
379TC02	27	32	92	78	60	25	531
379TC03	30	35	98	84	60	25	558
379TC04	33	38	102	90	60	25	585
379TC05	36	42	108	97	60	25	624
379TC06	40	46	115	105	60	25	657
379TC07	44	50	120	112	60	25	693
379TC08	48	55	129	121	60	50	734
379TC09	51	58	133	127	60	50	764
379TC10	55	62	140	134	60	50	795
379TC11	59	66	145	142	60	50	831
379TC12	63	70	150	150	60	50	869
379TC13	67	74	157	157	60	75	905
379TC14	71	78	164	164	60	75	939
379TC15	74	82	172	172	60	75	975
379TC16	77	85	178	178	60	75	1010
379TC17	82	88	184	184	60	100	1046
379TC18	88	96	200	198	60	100	1081
379TC19	96	103	214	210	60	100	1117
379TC20	103	111	230	225	60	125	1152
379TC21	111	119	245	240	60	125	1188
379TC22	119	128	264	257	60	150	1223

All cleats have a single central fixing hole for a 12mm diameter fixing bolt. Styles 02 to 22 can be also fixed with 2 x 10mm bolts - the 10mm clearance holes are positioned either side of the central hole with centres as per dimension D.

Performance Data

BS EN 61914	Clause	Classification
Type	6.1.3	Composite
Operating Temperature	6.2	-40 °C to + 120 °C
Impact Resistance	6.3	V. Heavy
Needle Flame	10.1	>120secs



	Clause	Classification
Resistance to Short Circuit	6.4.3(1 short circuit)	80.0kA rms, 175kA peak, Ø=36mm Spacing = 300mm
	6.4.4 (2 short circuit)	79.5kA rms, 175kA peak, Ø=36mm Spacing = 300mm 77.3kA rms, 170kA peak, Ø=36mm Spacing = 600mm
Corrosion	6.5.2	High, Outdoor - wet conditions

* Technical Information subject to change without notice