

# Tetrad Cleat

## 381 Series



The Tetrad Cleat is designed to support single core cables when a quad formation is required. Manufactured from stainless steel 316L, the Tetrad Cleat can be used in most environments.

### Features and benefits

- Suitable for use with cable diameters 20 to 70mm.
- Single or double bolt fixing.
- Ergonomic design allows easy installation, with single tool tightening.
- Manufactured from non-magnetic, corrosion resistant 316L stainless steel.
- Liners are made from LSOH materials to compliment the cable sheath.
- Suitable for single core cables laid in quad formation.
- Suitable for standard and LSOH cable sheaths.
- Designed to be used in most environments.
- Suitable for use with all standard ladder and tray systems.



### Performance Data

BS EN 61914:2021 (IEC 61914:2020)	Clause	Classification
Type	6.1.3	Composite
Operating Temperature	6.2	-40 °C to + 60 °C
Lateral Load	6.4.2	Orientation 2a: 2.9kN      Orientation 2c: 0.2kN
Axial load	6.4.3	One mandrel: 0.24kN      All 4 mandrels: 0.91kN
Impact Resistance	6.3.4	Heavy
Resistance to Corrosion	6.5.2	High, Outdoor- wet conditions
BS EN 61914:2016 (IEC 61914:2015)	Clause	Classification
Resistant to electromechanical forces, withstanding more than one short circuit	6.4.5	52.3kA RMS, 115kA Peak, spacing = 600mm, cable Ø = 36mm,

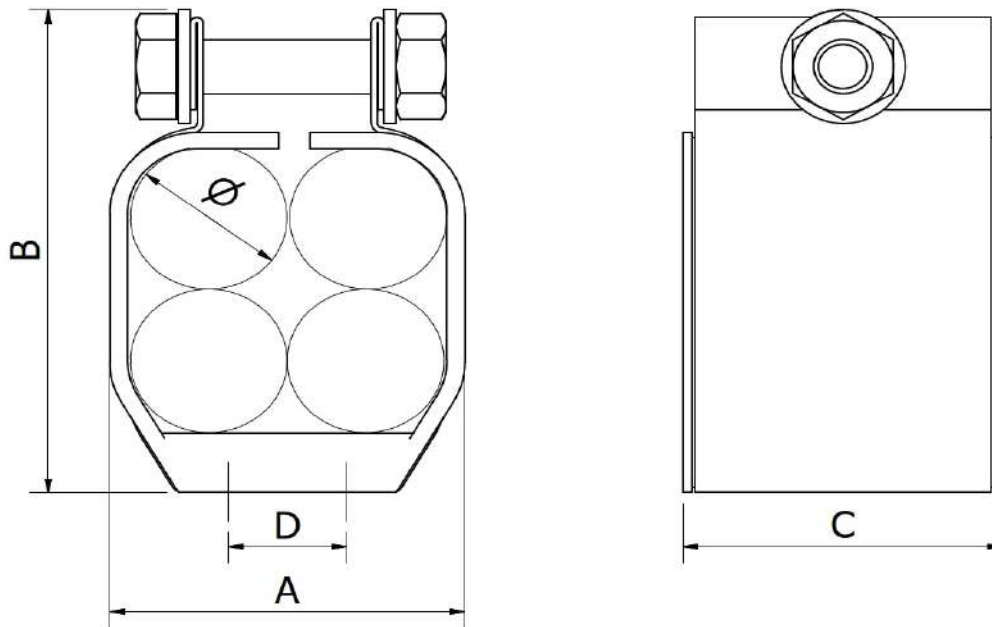
\* Technical Information subject to change without notice



## Technical Data

Cable and Cleat Selection			Cleat Details				
Design Number	Cable Diameter		Dimensions (mm)				
	Ø (mm)		A	B	C	D	Weight (g)
	Min	Max					
381QC01	20	24	54	85	55	Centre hole only	208
381QC02	23	28	62	93	55	Centre hole only	228
381QC03	27	32	70	101	55	Centre hole only	249
381QC04	31	36	78	109	55	Centre hole only	269
381QC05	35	41	88	119	55	25	286
381QC06	40	46	98	129	55	25	311
381QC07	45	51	108	139	55	25	337
381QC08	50	58	122	153	55	50	367
381QC09	57	65	136	167	55	50	403
381QC10	64	70	146	177	55	50	433

All cleats have a single central fixing hole for a 10mm diameter fixing bolt. Styles 05 to 10 can also be fixed with 2 x 10mm bolts - the 10mm clearance holes are positioned either side of the central hole with centres as per dimension D.



**Prysmian Cables & Systems Limited,**  
Oak Road, Wrexham Industrial Estate, Wrexham, LL13 9PH, UK

**Commercial Enquiries,**  
Sales Office Tel: 0845 767 8345,  
International Sales Office Tel: +44 2380 295481

[www.biconcomponents.co.uk](http://www.biconcomponents.co.uk)