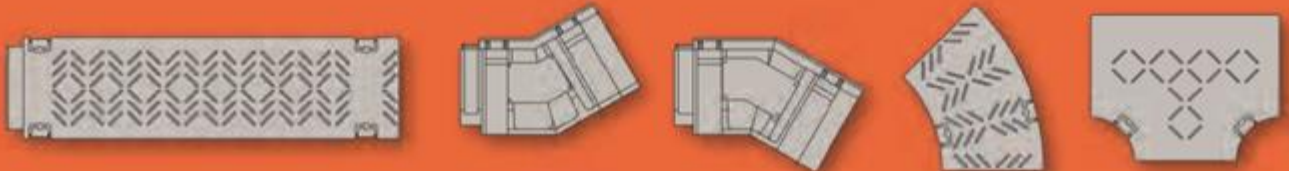




GT ACCESSORIES
TECHNICAL SPECIFICATION



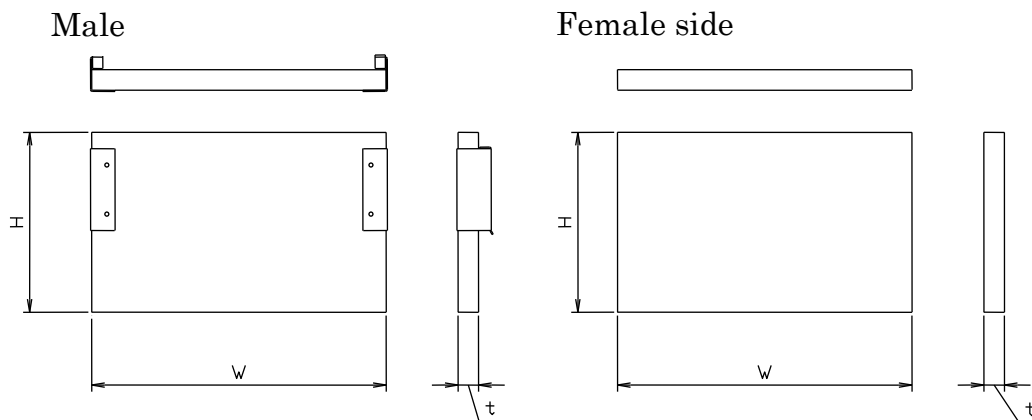
Powered by  **FURUKAWA**
ELECTRIC GROUP



1. Scope

This specification applies to accessories made to complement the Green Trough system . It details the range of available parts and their respective dimensions for the 6 trough sizes.

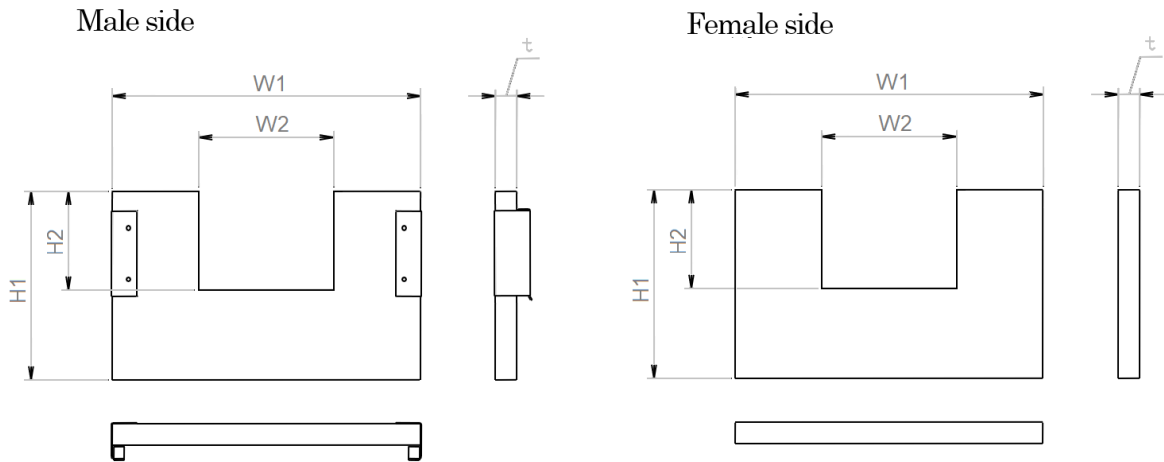
2. End Plate



(Unit : mm)

Part name	Series	Part No.	H	W	t
End Plate for male side	For 090	TA090M	110±3	106±3	15±3
	For 135	TA135M	135±3	153±3	
	For 150	TA150M	160±3	190±3	
	For 200	TA200M	215±3	243±3	
	For 300	TA300M	215±3	356±3	
	For Walkway	TA300WM	161±3	356±3	
	For 430	TA430M	300±3	509±3	
End Plate for female side	For 090	TA090F	110±3	106±3	
	For 135	TA135F	135±3	153±3	
	For 150	TA150F	160±3	190±3	
	For 200	TA200F	215±3	243±3	
	For 300	TA300F	215±3	356±3	
	For Walkway	TA300WF	161±3	356±3	
	For 430	TA430F	300±3	509±3	

3. Transition Plate



(Unit : mm)

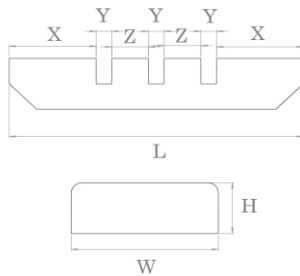
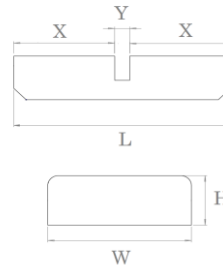
Part name	Part No.	W1	W2	H1	H2	t (thickness)		
Transition Plate for male side	TT135M/090	153±3	103±3	135±3	115±3	15±3		
	TT150M/090	190±3	103±3	160±3	115±3			
	TT150M/135		152±3		154±3			
	TT200M/090	243±3	103±3	215±3	115±3			
	TT200M/135		152±3		154±3			
	TT200M/150		178±3		165±3			
	TT300WM/090	356±3	103±3	161±3	115±3			
	TT300WM/135		152±3		154±3			
	TT300WM/150		178±3		165±3			
	TT300M/090	356±3	103±3	215±3	115±3			
	TT300M/135		152±3		154±3			
	TT300M/150		178±3		165±3			
	TT300M/200		229±3		225±3			
	TT300M/300W		330±3		145±3			
	TT430M/090		509±3		103±3		300±3	115±3
	TT430M/135				152±3			154±3
	TT430M/150	178±3		165±3				
	TT430M/200	229±3		225±3				
	TT430M/300W	330±3		145±3				
	TT430M/300	335±3		220±3				

(Unit : mm)

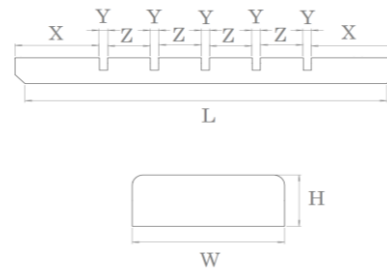
Part name	Part No.	W1	W2	H1	H2	t (thickness)
Transition Plate for female side	TT135/090	153±3	103±3	135±3	115±3	15±3
	TT150/090	190±3	103±3	160±3	115±3	
	TT150/135		152±3		154±3	
	TT200/090	243±3	103±3	215±3	115±3	
	TT200/135		152±3		154±3	
	TT200/150		178±3		165±3	
	TT300W/090	356±3	103±3	161±3	115±3	
	TT300W/135		152±3		154±3	
	TT300W/150		178±3		165±3	
	TT300/090	356±3	103±3	215±3	115±3	
	TT300/135		152±3		154±3	
	TT300/150		178±3		165±3	
	TT300/200		229±3		225±3	
	TT300/300W		330±3		145±3	
	TT430/090		509±3		103±3	
	TT430/135	152±3		154±3		
	TT430/150	178±3		165±3		
	TT430/200	229±3		225±3		
	TT430/300W	330±3		145±3		
	TT430/300	335±3		220±3		

4. Separator Support for Straight Trough and Gradients

For 135 Series



For 150, 200 and 300 Series

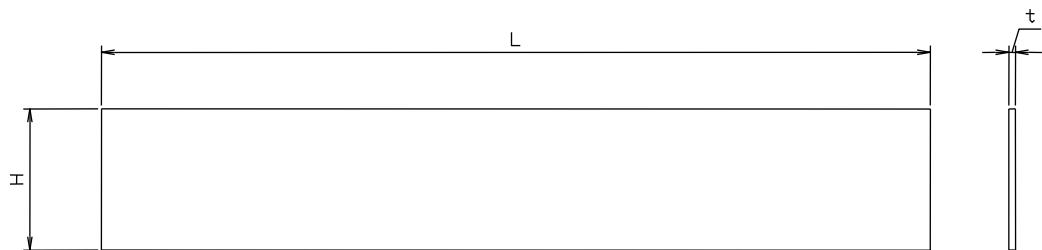


For 430 Serie

(Unit : mm)

Part name	Series	Part No.	L	X	Y	Z	H	W
Separator Stand For straight trough	For 135	TA135TR	124±3	57.75±3	8.5±3	-	30±3	80±3
	For 150	TA150TR	145±3	39.75±3	8.5±3	20±3	30±3	
	For 200	TA200TR	170±3	52.25±3	8.5±3	20±3	30±3	
	For 300	TA300TR	280±3	82.25±3	8.5±3	45±3	30±3	
	For 430	TA430TR	380±3	78.75±3	8.5±3	45±3	30±3	

5. Separator Wall for Straight Trough

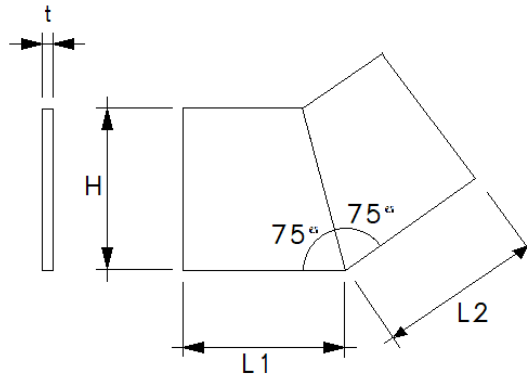


(Unit : mm)

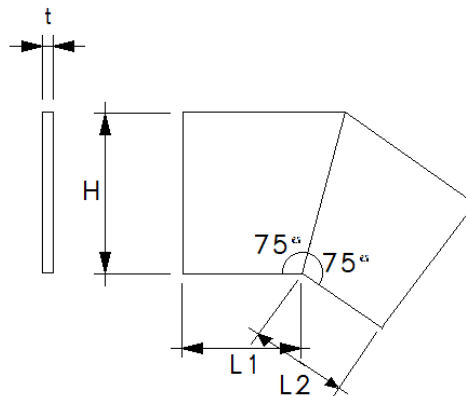
Part name	Series	Part No.	L	H	t
Separator Wall for straight trough	For 135	TA135W	1000±5	117±5	8±1
	For 150	TA150W		167±5	
	For 200	TA200W		247±5	
	For 300	TA300W	500±5	247±5	
	For 430	TA430W	500±5	247±5	

6. Separator Wall for Gradient Trough

For Gradient trough (UP)



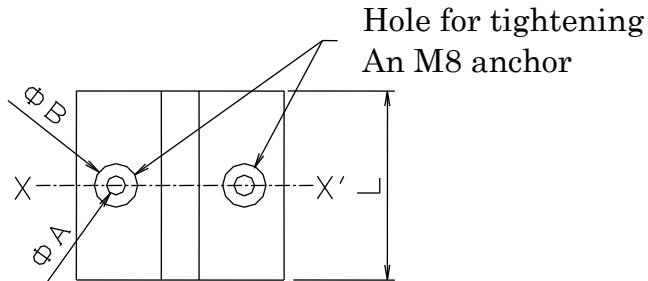
For Gradient trough (DOWN)



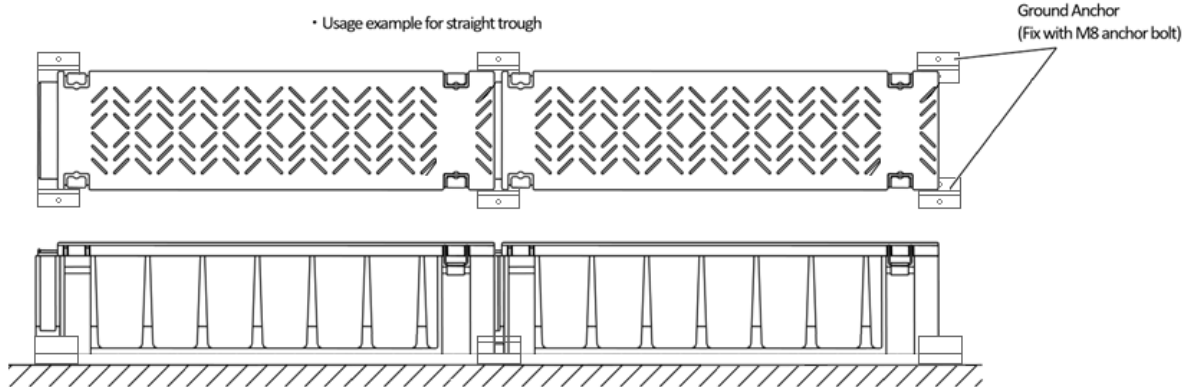
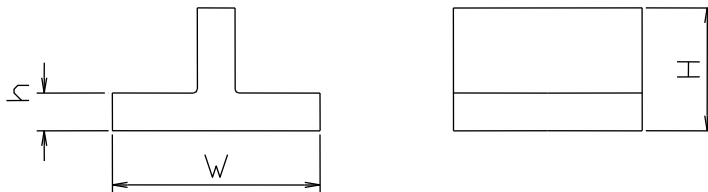
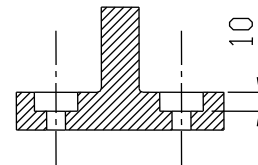
(Unit : mm)

Part name		Part No.	L1	L2	H	t
Separator Wall for gradient trough (UP)	For 135	TA135UW	338±8	308±8	117±5	8±1
	For 150	TA150UW				
	For 200	TA200UW	244±8	194±8	167±5	
	For 300	TA300UW				
	For 430	TA430UW	230±8	190±8	247±5	
Separator for gradient trough (Down)	For 135	TA135DW	301±8	271±8	117±5	
	For 150	TA150DW				
	For 200	TA200DW	215±8	165±8	167±5	
	For 300	TA300DW				
	For 430	TA430DW	160±8	118±8	247±5	

7. Trough Support



X-X profile

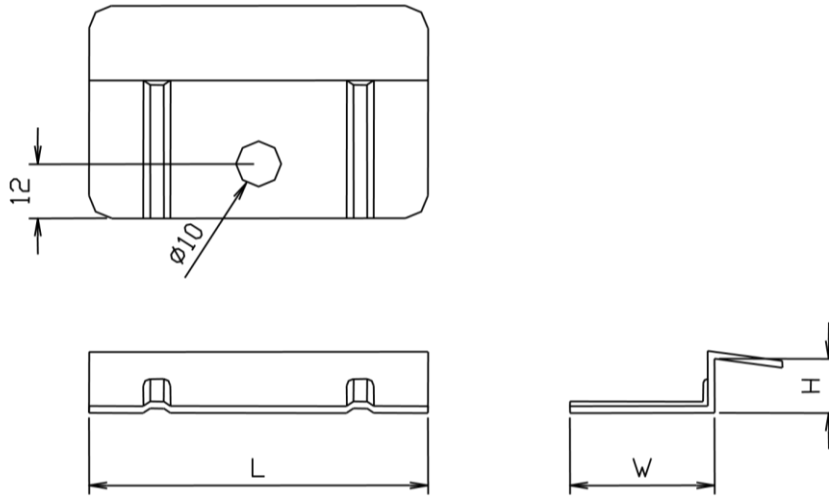


*The number of usage : 2 parts / set

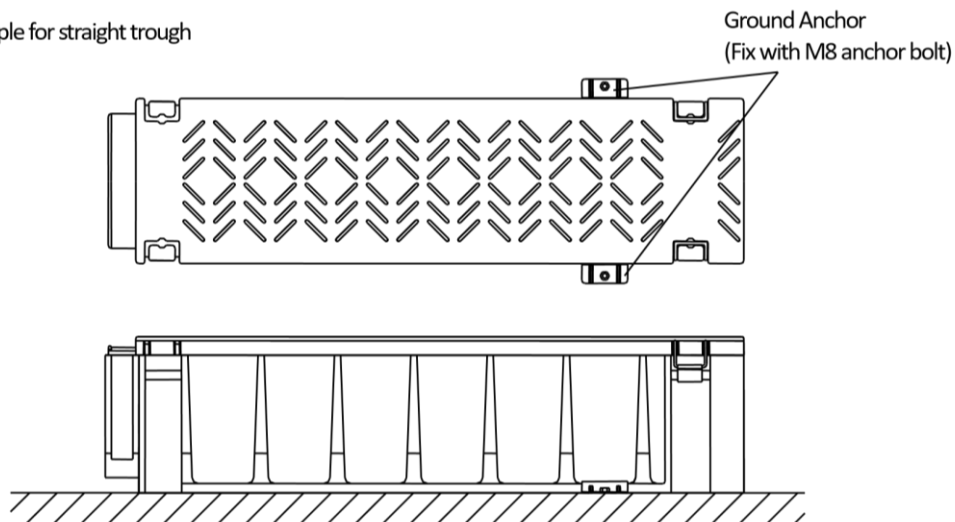
(Unit : mm)

Part No.	L	W	H	h	ΦA	ΦB
TASUPF	100±5	110±3	65±3	20±3	Φ10	Φ23

8. Ground Anchor



• Usage example for straight trough



* The dimensions without tolerance in the figure are reference dimensions.

* 2 pieces can be used per metre of trough if required.

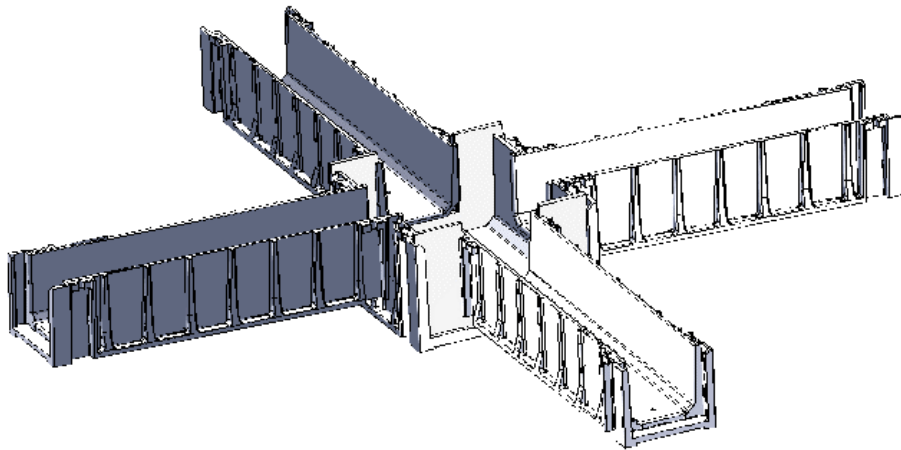
* Ground Anchor cannot be used with 45 degree trough, T-Junction trough and Gradient trough.

(Unit : mm)

Part name	Series	Part No.	L	H	W
Ground Anchor	For 90, 135	TA135GA	75±5	11±3	32±3
	For 150	TA150GA		12±3	
	For 200, 300, 430	TA200GA		17±3	

9. Junction Box

Junction boxes are made from a 430 Series Straight Trough or a T-Junction (Please refer to our spec TTS – GT Tech. Spec. (Issue 3 – 08.22) for the dimensions), and our transition pieces, detailed above in section 3. Please note that the biggest size of Green Trough that can be used in conjunction with the 430 Series is the 200 Series. Thus, the only combinations that you **cannot** connect with our junction box are 4 x 430 Series and 4 x 300 Series.

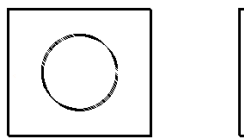


Example combination showing 4 x 200 Series connected to our 430 Series Junction
Box

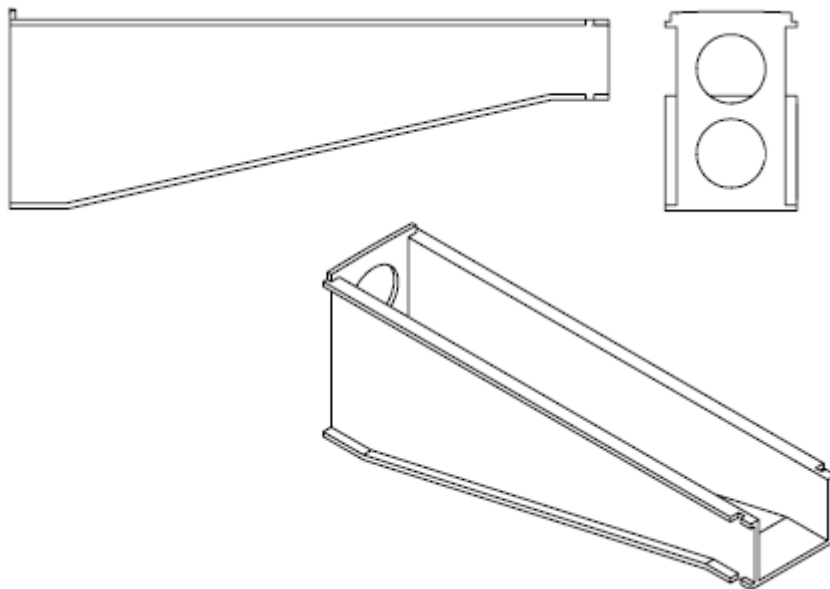
10. Transitions to Duct

Transition from our troughing to ducting can be achieved by either, cutting a circular hole in the end plate (see dimensions for end plate in section 2) or by using a custom transition trough (see drawing below). The transition trough will be made to order to meet the requirements for your project regarding holes quantity, holes dimensions and trough size to interface with.

Option 1: Circular holes in End Plates



Option 2: Transition trough



For further information, please contact us on

Email: ttsinfo@hird.group

Tel: 01302 343 633