

Heavy Duty Earth Inspection Housings

The Wallis 'lightweight' (3kg) but heavy duty earth housing has the best safe working load performance in the industry. It has been designed, shaped and sized to fit easily into brick paved walkways. The lip of the base makes a flush fit with standard-sized bricks, making the housing blend in without the need for a cement surround. The housing will withstand loads of up to 6,000 kgs and is suitable for most commercial and industrial applications. The lid locks into the base and can be opened with a standard flat screwdriver. The base has three built in slots for locating earth bars.



EPP 001 W



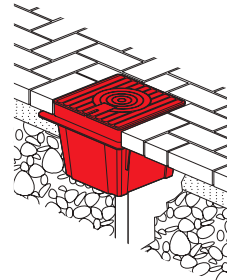
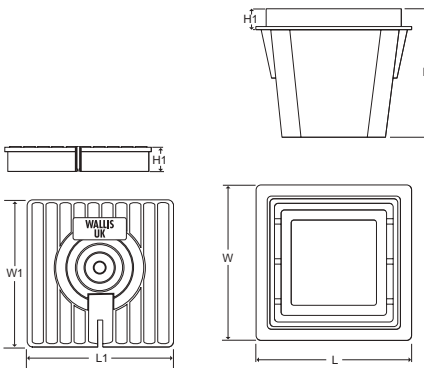
EPP 002 W

Lid Colour	L x W mm	H mm	L1 x W1 mm	H1 mm	Unit Weight kg	Pack Quantity	Part Number
Black	306 x 306	216	260 x 260	55	3.0	1	EPP 001 W
Grey							EPP 002 W
Green							EPP 100 W
Terracotta							EPP 200 W

Material: Polypropylene base with GRP lid.



BS EN 62561-5



Inspection Housing Earth Bars (for Heavy Duty Earth Inspection Housings)

These earth bars fit into the slots provided in the heavy duty earth inspection housings and are used when multiple connections to the earth rod are required.

No. Holes	Hole Ø mm	L mm	W mm	H mm	Unit Weight kg	Pack Quantity	Part Number
5	11	203	25	6	0.24	1	EBC 35
7					0.22		EBC 37

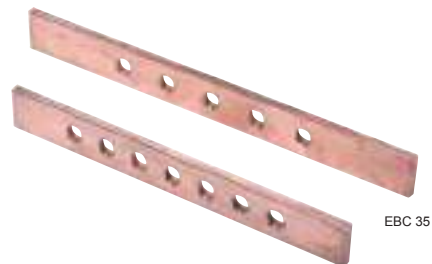
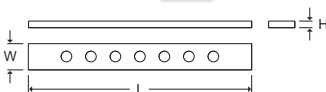
Material: Copper to BS EN 13601.



BS EN 62561-1 Class H



Tightening torque 20 Nm



EBC 35

EBC 37

