

# 180AR-1/180AR-2/180AR-3

## INTERFACE A1 EQUIPMENT BUSHINGS

### APPLICATION

For use in equipment insulated with oil fluid, typically for transformers, switchgear, capacitors...

### TECHNICAL CHARACTERISTICS

Each bushing is tested for AC withstand and partial discharge prior to leaving the factory.

### DESIGN

- The equipment bushings are moulded epoxy insulated parts in accordance with CENELEC EN 50180. The 180AR-2 bushing has a length B outside this standard.
- The standard bushings, (K)180AR-1 /-2 /-3, are equipped with 6 tabs for the bail restraint.
- The (K)180AR-1-G and (K)180AR-3-G are equipped with 4 tabs and 2 threaded inserts M6 (-G version).

### ORDERING INSTRUCTIONS

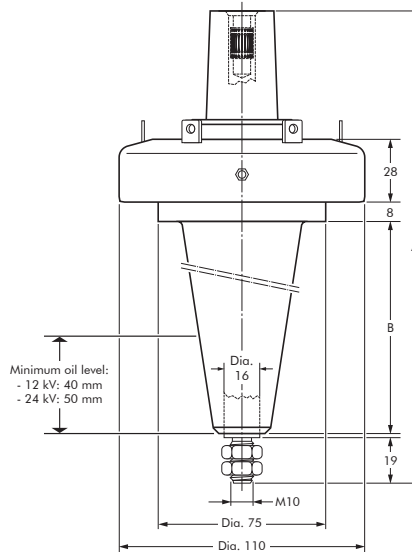
To order the equipment bushing, specify the type. The bushings are supplied with an earth jumper (/J) or an earth plate (/GS). This earth connection must be specified when ordering. E.g. K180AR-1/J.

### SPECIFICATIONS AND STANDARDS

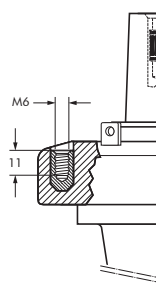
The plug-in type equipment bushings 180AR-... meet the requirements of CENELEC EN 50180 and IEC 60137.



Type 180AR-1 /-2 /-3



Type 180AR-1-G /-3-G



6/10 (12) kV  
6.35/11 (12) kV  
8.7/15 (17.5) kV  
12/20 (24) kV  
12.7/22 (24) kV

Up to 24 kV - 250 A

**EUROMOLD®**

In mm.

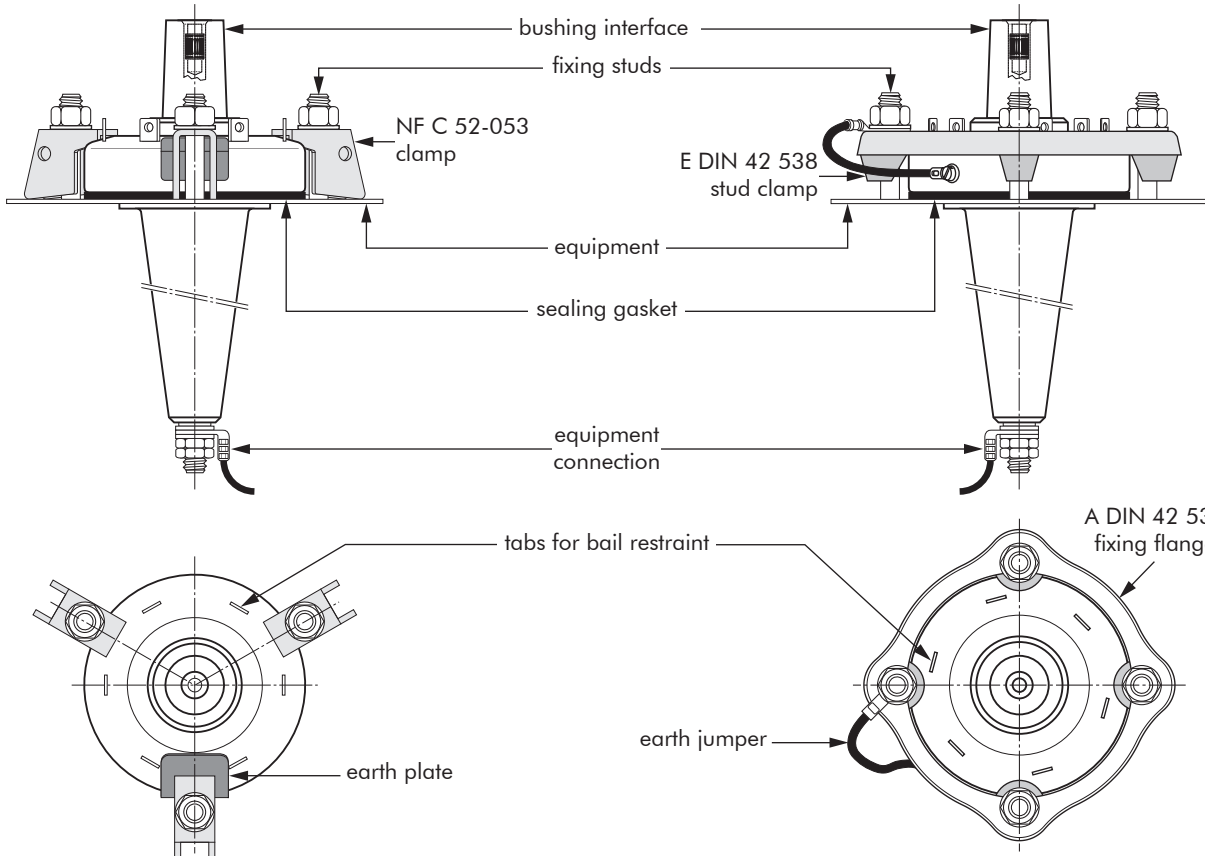
Equipment bushing type	Voltage Um (kV)	Current Ir (A)	Dimensions (mm)	
			A	B
180AR-1	12	250	222	106
K180AR-1	24	250	222	106
180AR-2	12	250	284	168
K180AR-2	24	250	284	168
180AR-3	12	250	171	55
K180AR-3	24	250	171	55

02/2022

# FIXINGS FOR EQUIPMENT BUSHINGS

180AR-1/GS  
180AR-1-G/GS  
180AR-2/GS  
180AR-3/GS AND  
180AR-3-G/GS BUSHINGS

180AR-1/J  
180AR-1-G/J  
180AR-2/J  
180AR-3/J AND  
180AR-3-G/J BUSHINGS



## BUSHING CLAMPING KIT

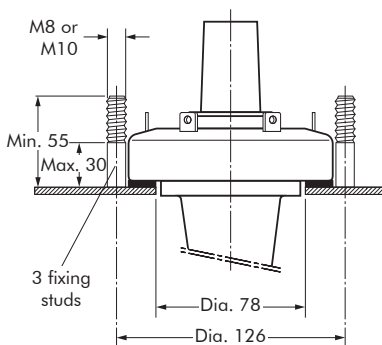
To order the bushing clamping kit, according to NF C 52-053 standards, simply specify: KBC – NFC 52-053 /200 SERIES.  
Contents: - 3 x claw clamp NF  
- 1 x sealing gasket.

## BUSHING CLAMPING KIT

To order the bushing clamping kit, according to DIN 42 538 standards, simply specify: KBC - RING CLAMP 1.  
Contents: - 1 x fixing flange A  
- 4 x stud clamp E  
- 1 x sealing gasket.

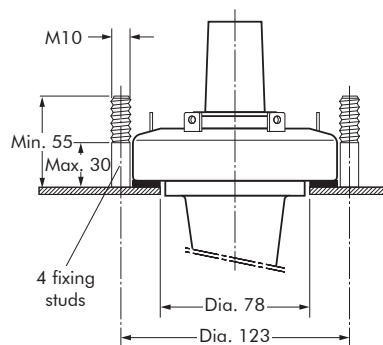
## FIXING DIMENSIONS STANDARDS NF C 52-053

French standards.



## FIXING DIMENSIONS STANDARDS DIN 42 538

German standards.



In mm.