

# 400AR-8

## INTERFACE B EQUIPMENT BUSHING

### APPLICATION

For use in equipment insulated with oil fluid, typically for transformers, switchgear, capacitors...

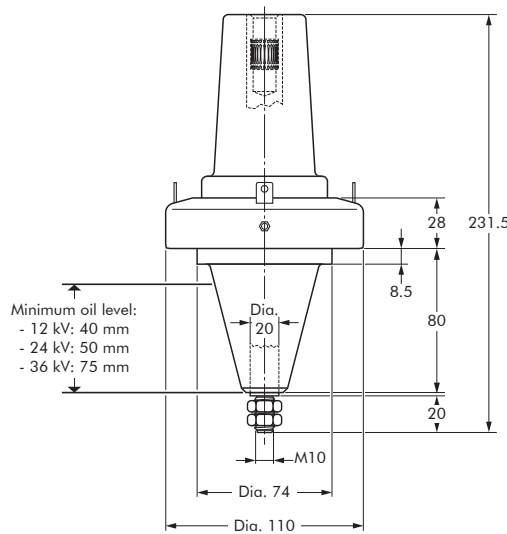
### TECHNICAL CHARACTERISTICS

Each bushing is tested for AC withstand and partial discharge prior to leaving the factory.



### SPECIFICATIONS AND STANDARDS

The plug-in type equipment bushings 400AR-8 are moulded epoxy insulated parts and meet the requirements of CENELEC EN 50180 and IEC 60137.



6/10 (12) kV  
 6,35/11 (12) kV  
 8,7/15 (17,5) kV  
 12/20 (24) kV  
 12,7/22 (24) kV  
 18/30 (36kV)  
 19/33 (36kV)

Up to 36 kV - 250 A

**EUROMOLD®**

### ORDERING INSTRUCTIONS

To order the equipment bushing, specify the type.  
 The bushings can be supplied with an earth jumper (/J).  
 E.g. M400AR-8/J.

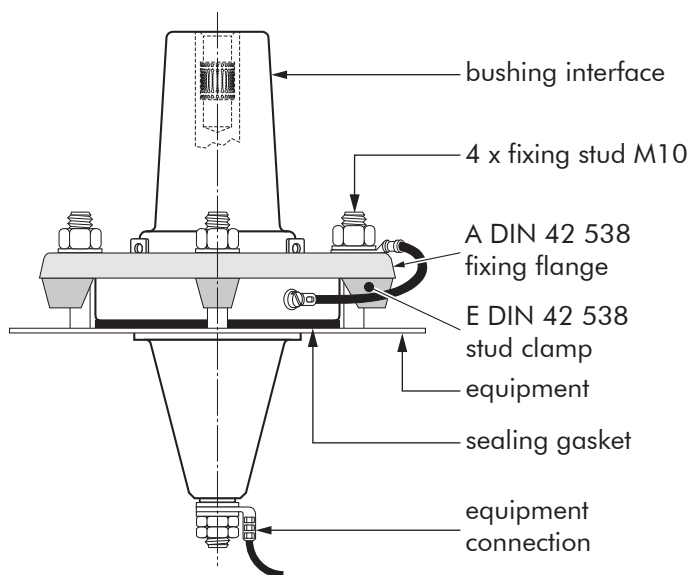
In mm.

Equipment bushing type	Voltage Um (kV)	Current Ir (A)
400AR-8	12	250
K400AR-8	24	250
M400AR-8	36	250

01/2022

# FIXINGS FOR EQUIPMENT BUSHINGS

## 400AR-8/J BUSHING



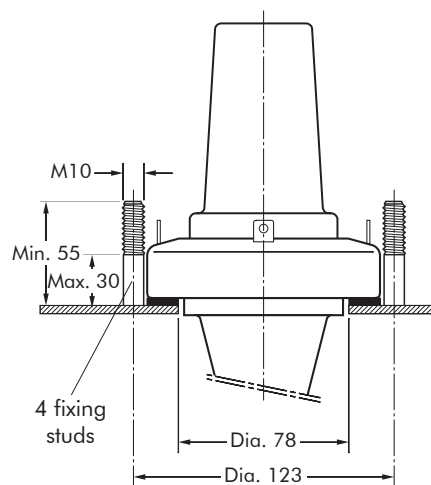
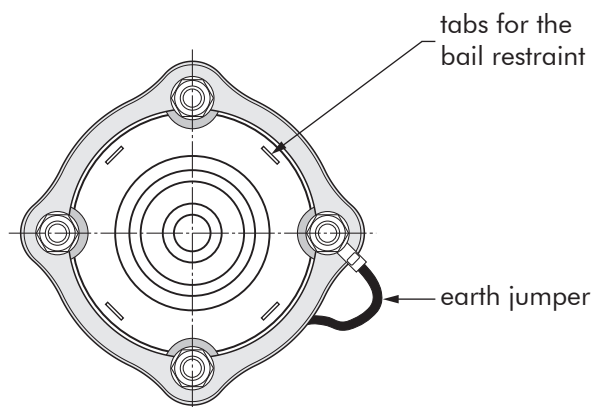
## BUSHING CLAMPING KIT

To order the bushing clamping kit, according to DIN 42 538 standards, simply specify: KBC - RING CLAMP 1 DIN 42538.

Contents: - 1 x fixing flange A  
- 4 x stud clamp E  
- 1 x sealing gasket.

## FIXING DIMENSIONS STANDARDS DIN 42 538

German standards.



In mm.