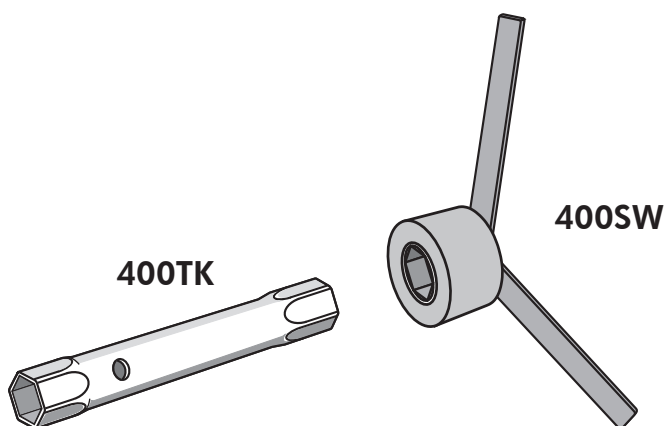


400TK AND 400SW

INSTALLATION TOOL

APPLICATION

- The box spanner and box spanner key are designed to facilitate assembly of 400TE, 400TB and 440TB connectors.
- The 400TK box spanner is used to install the 400TEF clamping pin contact or 400TCS clamping screw.
- The 400SW box spanner key fits on the hex nut of the 400BIPA basic insulating plug.



ORDERING INSTRUCTIONS

Simply specify:

- 400TK box spanner
- 400SW box spanner key.