

APPLICATION

Surge arrester designed to protect 12, 24, 36 and 42 kV class components, including transformers, equipment, cable and accessories from high voltage surges resulting from lightning or switching. It has been designed to be used with the 480TB, 484TB and 489TB separable tee connectors.

DESIGN

Surge arrester comprising:

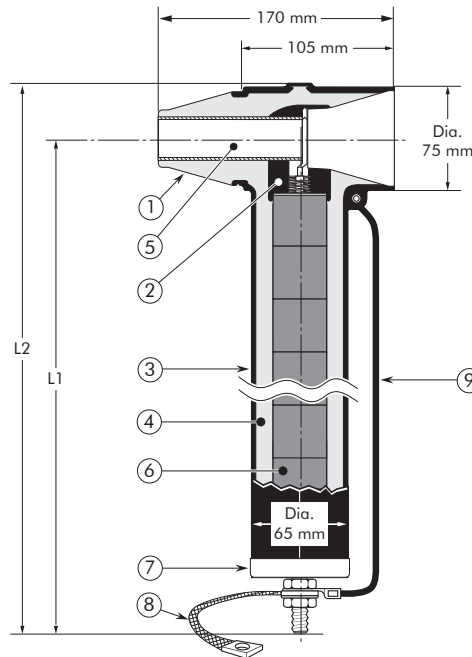
1. Interface designed to fit the 480TB, 484TB and 489TB tee connector.
2. Conductive EPDM insert.
3. Conductive EPDM jacket.
4. Insulating EPDM layer moulded between the insert and the jacket.
5. Receptacle for contact rod.
6. Metal oxide valve elements.
7. Steel cap.
8. Earth connection.
9. Earthing lead.

SPECIFICATIONS AND STANDARDS

The 800SA surge arresters meet the test requirements of IEC 60099-4.

TECHNICAL CHARACTERISTICS

- This surge arrester is a metal oxide varistor surge arrester in an elbow configuration.
- Each arrester is tested for AC withstand, partial discharge and critical voltage prior to leaving the factory.



6/10 (12) kV
6.35/11 (12) kV
8.7/15 (17.5) kV
12/20 (24) kV
12.7/22 (24) kV
18/30 (36) kV
19/33 (36) kV
20.8/36 (42) kV

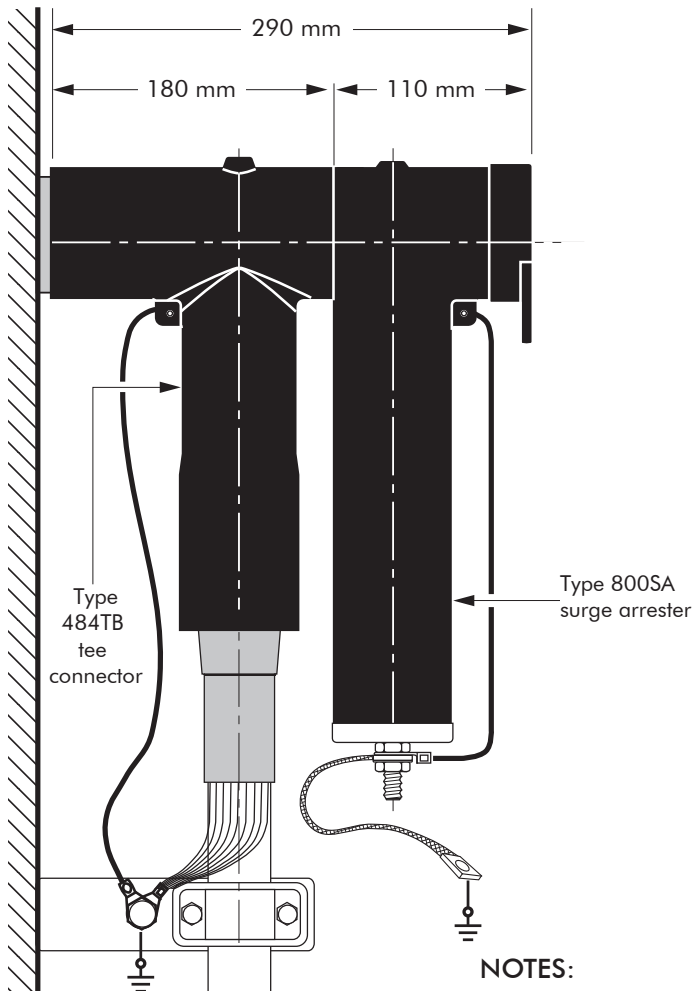
Up to 42 kV

EUROMOLD®

Surge arrester type	Nominal discharge current In (kA)	Rated voltage Ur (kV)	Max. continuous operating voltage Uc (kV)	Dimensions (mm)	
				L1	L2
800SA-10-6N	10	6	4.8	270	310
800SA-10-9N	10	9	7.2	270	310
800SA-10-12N	10	12	9.6	270	310
800SA-10-15N	10	15	12	270	310
800SA-10-18N	10	18	14.4	270	310
800SA-10-22N	10	22	17.6	270	310
800SA-10-24N	10	24	19.2	370	410
800SA-10-27.5N	10	27.5	22	370	410
800SA-10-30N	10	30	24	370	410
800SA-10-33N	10	33	26.4	370	410
800SA-10-36N	10	36	28.8	370	410
800SA-10-40N	10	40	32	470	510
800SA-10-42N	10	42	33.6	470	510
800SA-10-45N	10	45	36	470	510
800SA-10-51N	10	51	40.8	470	510

10/2021

TYPICAL APPLICATION AND DIMENSIONS



NOTES:

- The surge arrester body needs to be positioned vertically after installation.
- Prior to cable testing, the surge arrester shall be removed.

ORDERING INSTRUCTIONS

To order the surge arrester, specify the surge arrester type, as described on previous page.

EXAMPLE:

For a maximum continuous operating voltage (r.m.s.) of 24 kV and a nominal discharge current of 10 kA.

Order a 800SA-10-30N surge arrester.



For use in potentially explosive atmospheres (for 12 kV max).
Order: ATEX-IECEX

TECHNICAL DATA

Surge arrester type	Residual voltage at steep, lightning and switching current impulse					
	10 kA (1/20 μ s)	5 kA (8/20 μ s)	10 kA (8/20 μ s)	20 kA (8/20 μ s)	125 A (30/70 μ s)	500 A (30/70 μ s)
800SA-10-6N	18.5	16.2	17.2	19.3	12.6	13.2
800SA-10-9N	26.3	23	24.5	27.5	18.1	19.1
800SA-10-12N	36.3	31.5	33.6	37.1	25.1	26.5
800SA-10-15N	45.3	39.4	42	46.4	31.4	33.1
800SA-10-18N	54.4	47.3	50.4	56.4	37.7	39.7
800SA-10-22N	66.5	57.8	61.6	68.1	46	48.5
800SA-10-24N	72.5	63	67.2	75.2	50.2	53
800SA-10-27.5N	81.6	71	75.6	85	56.5	59.6
800SA-10-30N	90.7	78.8	84	94	62.8	66.2
800SA-10-33N	99.7	86.7	92.4	102.1	65	68.5
800SA-10-36N	108.8	94.5	100.8	112.7	75.3	79.4
800SA-10-40N	120.9	105.1	112	123.8	83.7	88.3
800SA-10-42N	126.9	110.3	117.6	130	87.9	92.7
800SA-10-45N	136	118.2	126	139.3	94.2	99.3
800SA-10-51N	154.1	134	142.8	160.4	106.7	112.5