

APPLICATION

Separable coupling connector for dual cable arrangement. It has been designed to be used with 480TB, 484TB and 489TB separable tee connectors. Can also be installed on any 8-series coupling connector for a multiple cable arrangement.

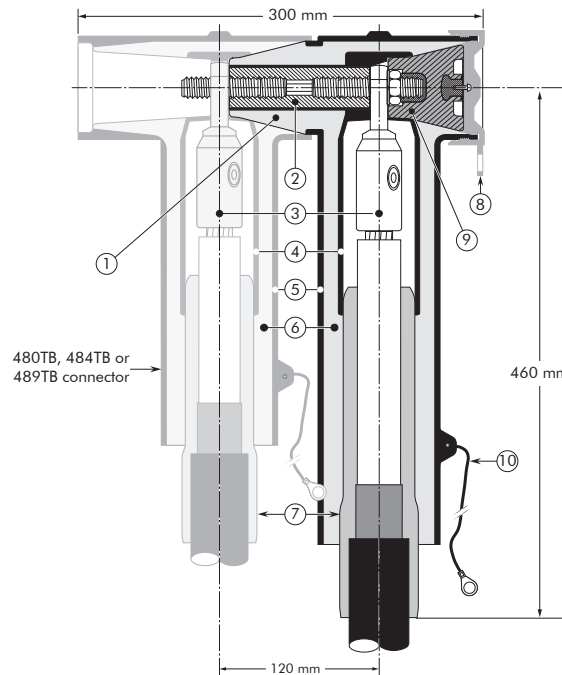
TECHNICAL CHARACTERISTICS

- A thick conductive EPDM jacket provides a total safe to touch screen.
- Each separable connector is tested for AC withstand and partial discharge prior to leaving the factory.



DESIGN

1. Interface designed to fit 480TB, 484TB and 489TB connector.
2. Contact rod for 809PB.
3. Conductor contact.
4. Conductive EPDM insert.
5. Conductive EPDM jacket.
6. Insulating EPDM layer moulded between the insert and the jacket.
7. Cable reducer.
8. Conductive EPDM cap.
9. Basic insulating plug (with VD point).
10. Earthing lead.



6/10 (12) kV
6.35/11 (12) kV
8.7/15 (17.5) kV
12/20 (24) kV
12.7/22 (24) kV
18/30 (36) kV
19/33 (36) kV
20.8/36 (42) kV

Up to 42 kV
1250 A

EUROMOLD®

The screen break design enables cable outer sheath testing without removing or dismantling the connector.

SPECIFICATIONS AND STANDARDS

The 809PB coupling connector meets the requirements of CENELEC HD 629.1.

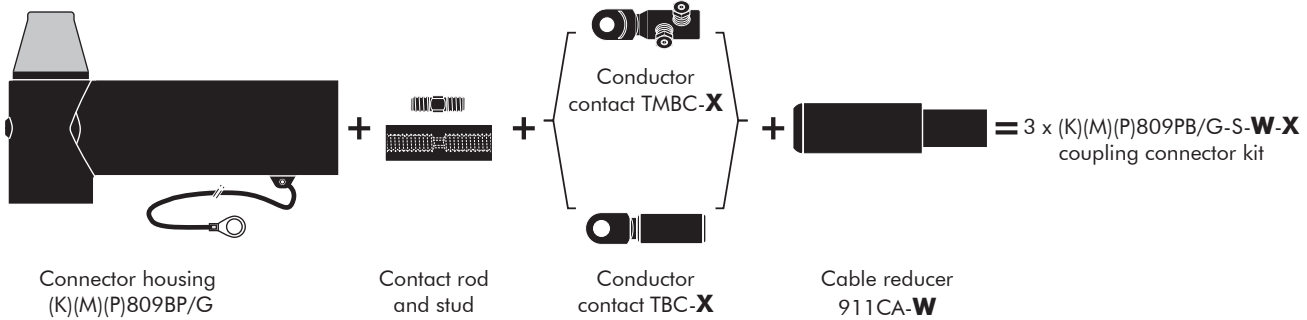
Separable connector type	Voltage Um (kV)	Current Ir (A)	Conductor sizes (mm ²)	
			min	max
809PB/G	12	1250	630	1200
K809PB/G	24	1250	630	1200
M809PB/G	36	1250	630	1200
P809PB/G	42	1250	630	1200

10/2021

KIT CONTENTS

The complete (K)(M)(P)809PB/G coupling connector kit comprises 3x the following components:

The kit also comprises silicone grease, field control mastic, gloves, wipers, roll adhesive tape, installation instructions and crimp chart.



ORDERING INSTRUCTIONS

To order the coupling connector, select the ordering part number which gives you the best centring of your core insulation diameter and substitute **X** using table X, according to your conductor size and type.

Add a 'K' for use up to 24 kV, add an 'M' for use up to 36 kV, add a 'P' for use up to 42 kV.

EXAMPLE:

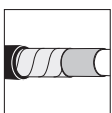
The copper wire screened cable is 36 kV, 1000 mm² stranded aluminium with a diameter over core insulation of 52 mm. Order 3 x M809PB/G-S-43-1000BI1 coupling connector kit.

TABLE W

Ordering part number	Dia. over core insulation (mm)	
	min	max
3 x 809PB/G-S-37-X	40	48
3 x 809PB/G-S-43-X	46	54
3 x 809PB/G-S-50-X	53	59
3 x 809PB/G-S-53-X	56	62
3 x 809PB/G-S-56-X	59	65
3 x 809PB/G-S-59-X	62	68

TABLE X

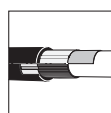
Conductor sizes (mm ²)	Aluminium conductor	Aluminium and copper conductor	Copper conductor
	Deep indent	Bolted	DIN hexagonal
630	630BI1	400.630UN5	630CU2
800	800BI1	800.1000UN5	800CU2
1000	1000BI1		1000CU2
1200	1200BI1	1200UN5	-



For use with copper tape screened cables.
Order: Kit MT.



For use in potentially explosive atmospheres (for 12 kV max).
Order: ATEX-IECEx



For use with Alupec or C 33-226 cables. Please contact our representative.



For use with other cable types. Please contact our representative.



For applications outdoors and in humid climate.
Order: +MWS.



Components can be ordered individually.