

ACCESSORIES

APPLICATION

For use with connectors and bushings with an interface B as described by CENELEC EN 50180 and 50181.

TECHNICAL CHARACTERISTICS

All these products, except the earthing plug, are tested for AC withstand and partial discharge prior to leaving the factory.

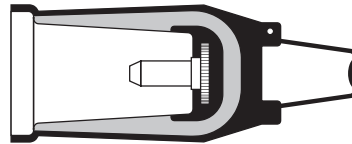
6/10 (12) kV
6.35/11 (12) kV
8.7/15 (17.5) kV
12/20 (24) kV
12.7/22 (24) kV
18/30 (36) kV
19/33 (36) kV

Up to 36 kV

400DR DEAD-END RECEPTACLE

Fits over a bushing with a type B interface to provide 'dead-end' facility.

Is used with a 400BA restraint bail.

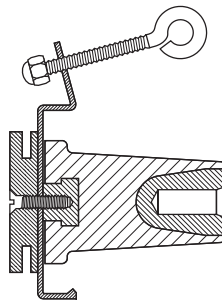


ORDERING INSTRUCTIONS

Order 400DR for 12 kV, K400DR for 24 kV or M400DR for 36 kV applications.
Can be supplied with integral earth lead: add -/G.

400SOP STAND-OFF PLUG

Is designed to support and 'dead-end' connectors with a type B interface when removed from equipment.

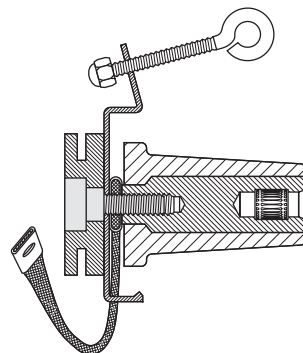


ORDERING INSTRUCTIONS

Order 400SOP for 12 kV, K400SOP for 24 kV or M400SOP for 36 kV applications.

400GP EARTHING PLUG

Is designed to support and earth connectors with a type B interface when removed from equipment.



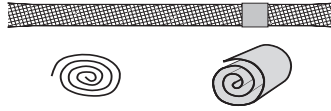
ORDERING INSTRUCTIONS

Order 400GP for 12 kV, 24 or 36 kV applications.

01/2022

KIT MT EARTHING KIT FOR COPPER TAPE SCREENED CABLES

Contains a tinned copper braid (25 mm² - L=500 mm), a tinned copper wire for cleating and water sealing mastic.



ORDERING INSTRUCTIONS

Order
Kit MT for 12 kV, 24 kV
or 36 kV applications.