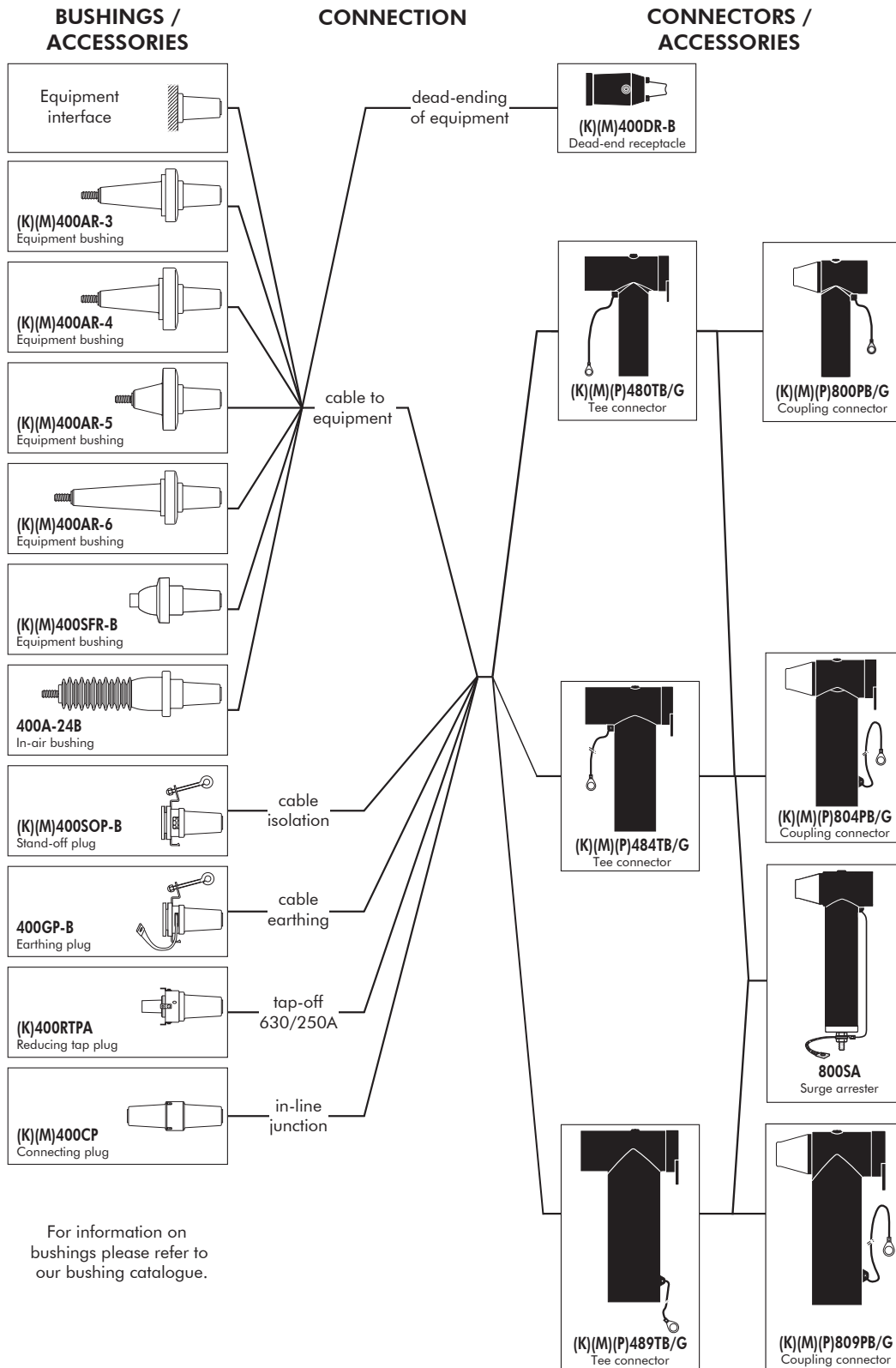


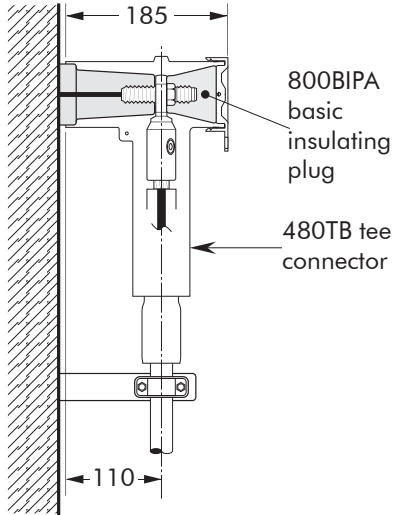
# CONNECTING POSSIBILITIES



# POSSIBLE ARRANGEMENTS

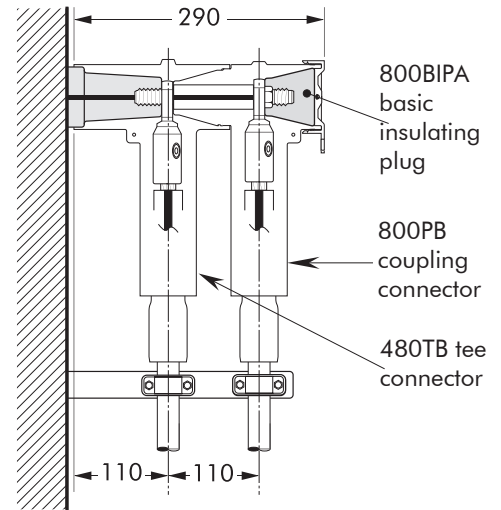
## 480TB

Single cable arrangement.  
Order 480TB for 12 kV,  
K480TB for 24 kV,  
M480TB for 36 kV or  
P480TB for 42 kV applications.



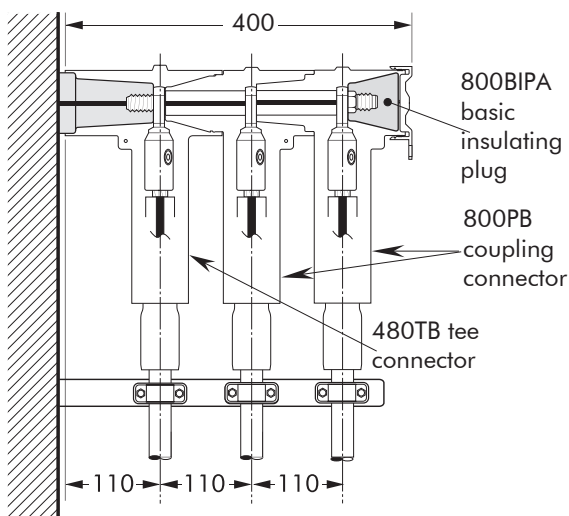
## 480TB-P2

Dual cable arrangement.  
Order 480TB-P2 for 12 kV,  
K480TB-P2 for 24 kV,  
M480TB-P2 for 36 kV or  
P480TB-P2 for 42 kV applications.



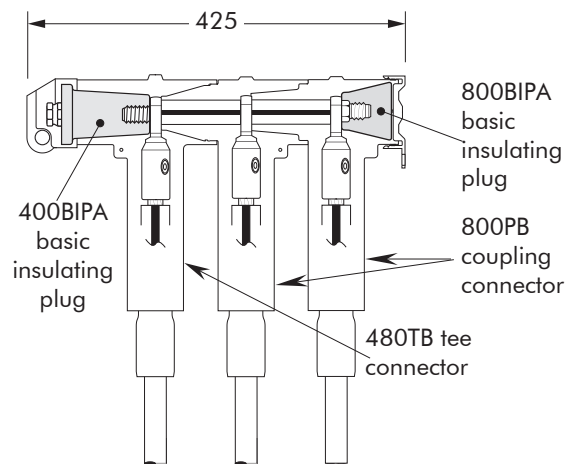
## 480TB-P3

Triple cable arrangement.  
Order 480TB-P3 for 12 kV,  
K480TB-P3 for 24 kV,  
M480TB-P3 for 36 kV or  
P480TB-P3 for 42 kV applications.



## 480TB-L3

3-way connection.  
Order 480TB-L3 for 12 kV,  
K480TB-L3 for 24 kV,  
M480TB-L3 for 36 kV or  
P480TB-L3 for 42 kV applications.

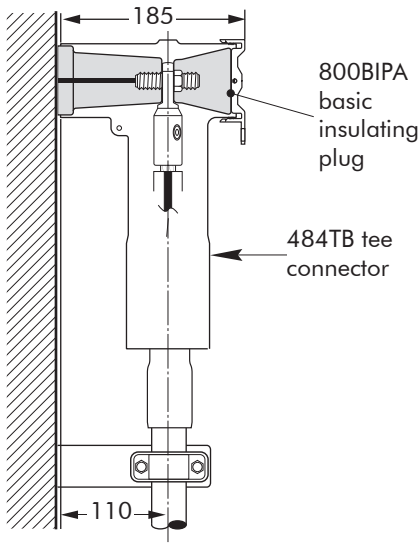


In mm.

10/2021

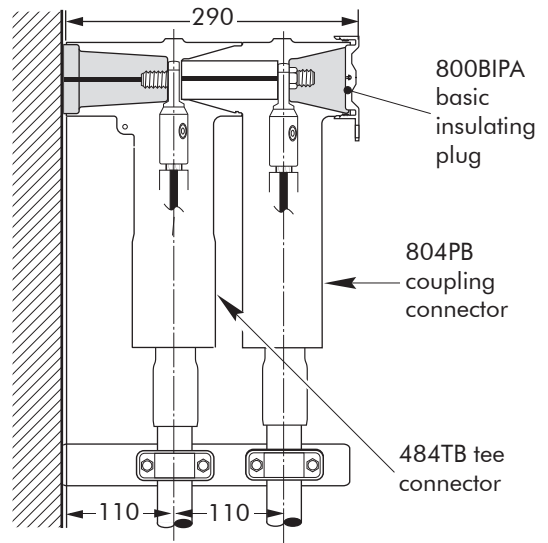
## 484TB

Single cable arrangement.  
Order 484TB for 12 kV,  
K484TB for 24 kV,  
M484TB for 36 kV or  
P484TB for 42 kV applications.



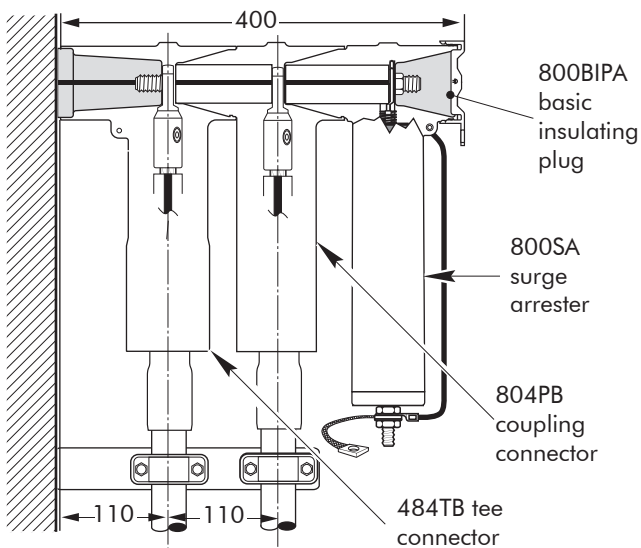
## 484TB-P2

Dual cable arrangement.  
Order 484TB-P2 for 12 kV,  
K484TB-P2 for 24 kV or  
M484TB-P2 for 36 kV or  
P484TB-P2 for 42 kV applications.



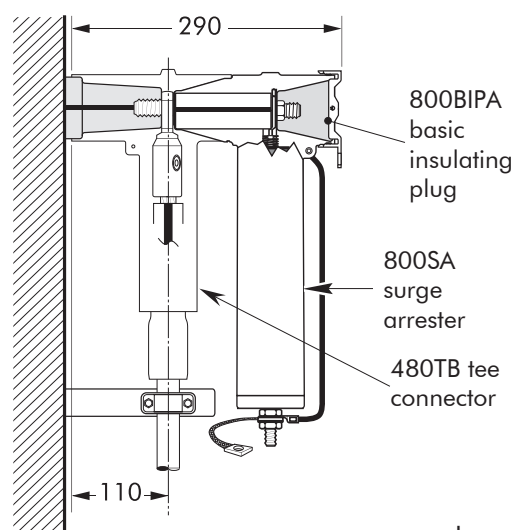
## 484TB-P2+800SA

Dual cable arrangement with  
surge arrester.  
Order 484TB-P2+800SA for  
12 kV, K484TB-P2+800SA for  
24 kV, M484TB-P2+800SA for  
36 kV or P484TB-P2+800SA for  
42 kV applications.



## 480TB+800SA

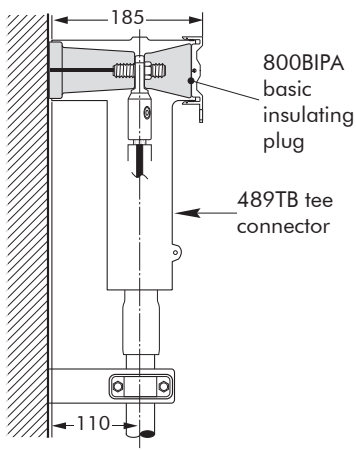
Single cable arrangement with  
surge arrester.  
Order 480TB+800SA for 12 kV,  
K480TB+800SA for 24 kV,  
M480TB+800SA for 36 kV or  
P480TB+800SA for 42 kV  
applications.



In mm.

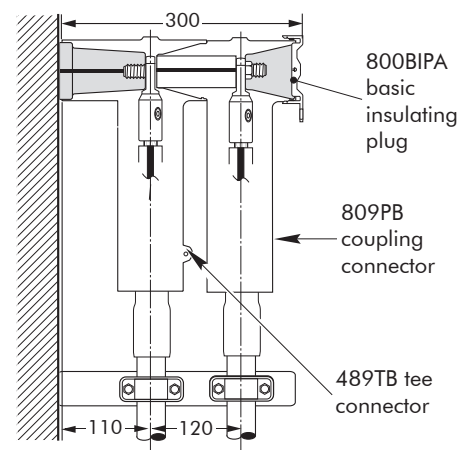
## 489TB

Single cable arrangement.  
Order 489TB for 12 kV,  
K489TB for 24 kV,  
M489TB for 36 kV or  
P489TB for 42 kV applications.



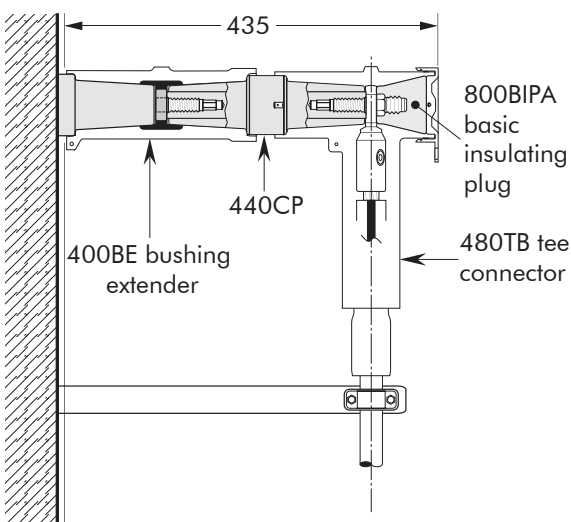
## 489TB-P2

Dual cable arrangement.  
Order 489TB-P2 for 12 kV,  
K489TB-P2 for 24 kV or  
M489TB-P2 for 36 kV or  
P489TB-P2 for 42 kV applications.



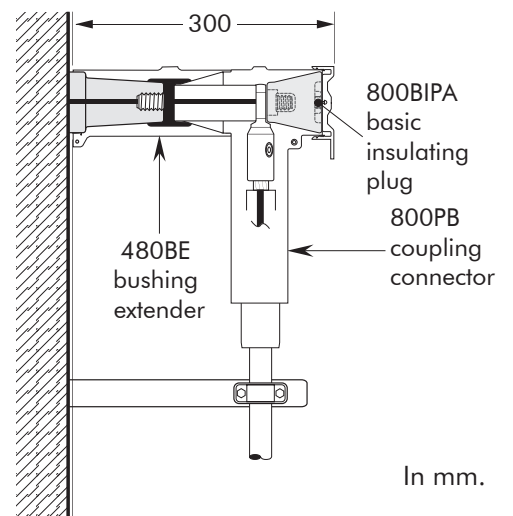
## 400BE+480TB+440CP

Order 400BE+480TB+440CP for 12 kV,  
K400BE+K480TB+K440CP for 24 kV  
or M400BE+M480TB+M440CP for 36 kV  
applications.



## 480BE+800PB

Single cable arrangement.  
Order 480BE+800PB for 12 kV,  
K480BE+K800PB for 24 kV,  
M480BE+M800PB for 36 kV  
or P480BE+P800PB for 42 kV  
applications.

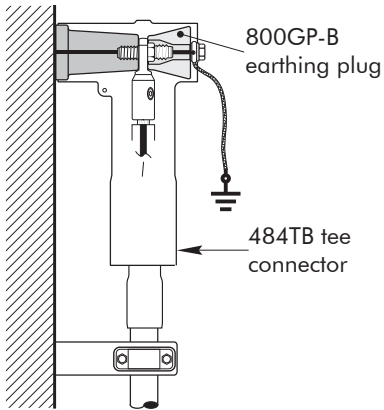


In mm.

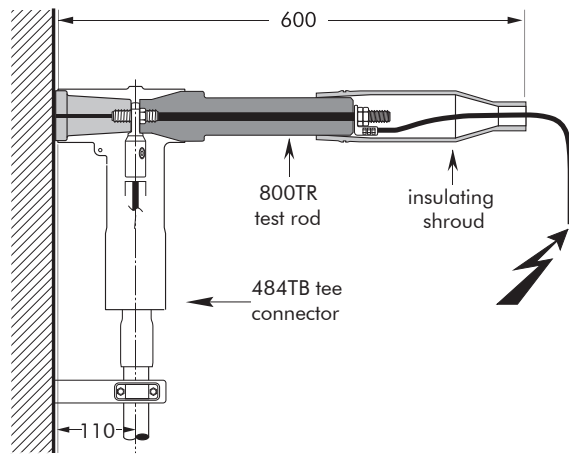
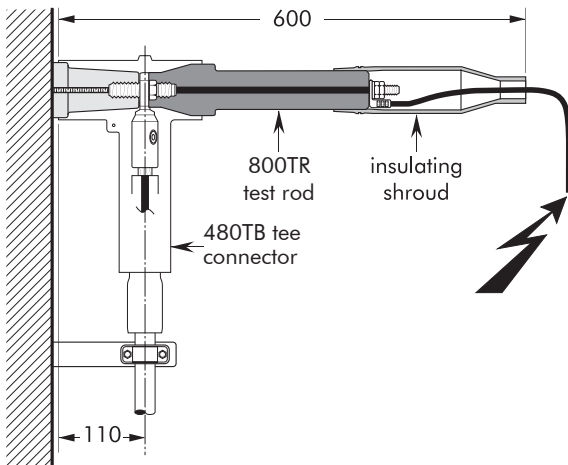
10/2021

## EARTHING PLUG ON CONNECTOR

Order 800GP-B for 12 kV, 24 kV, 36 kV and 42 kV applications.



## CABLE AND EQUIPMENT TESTING



In mm.