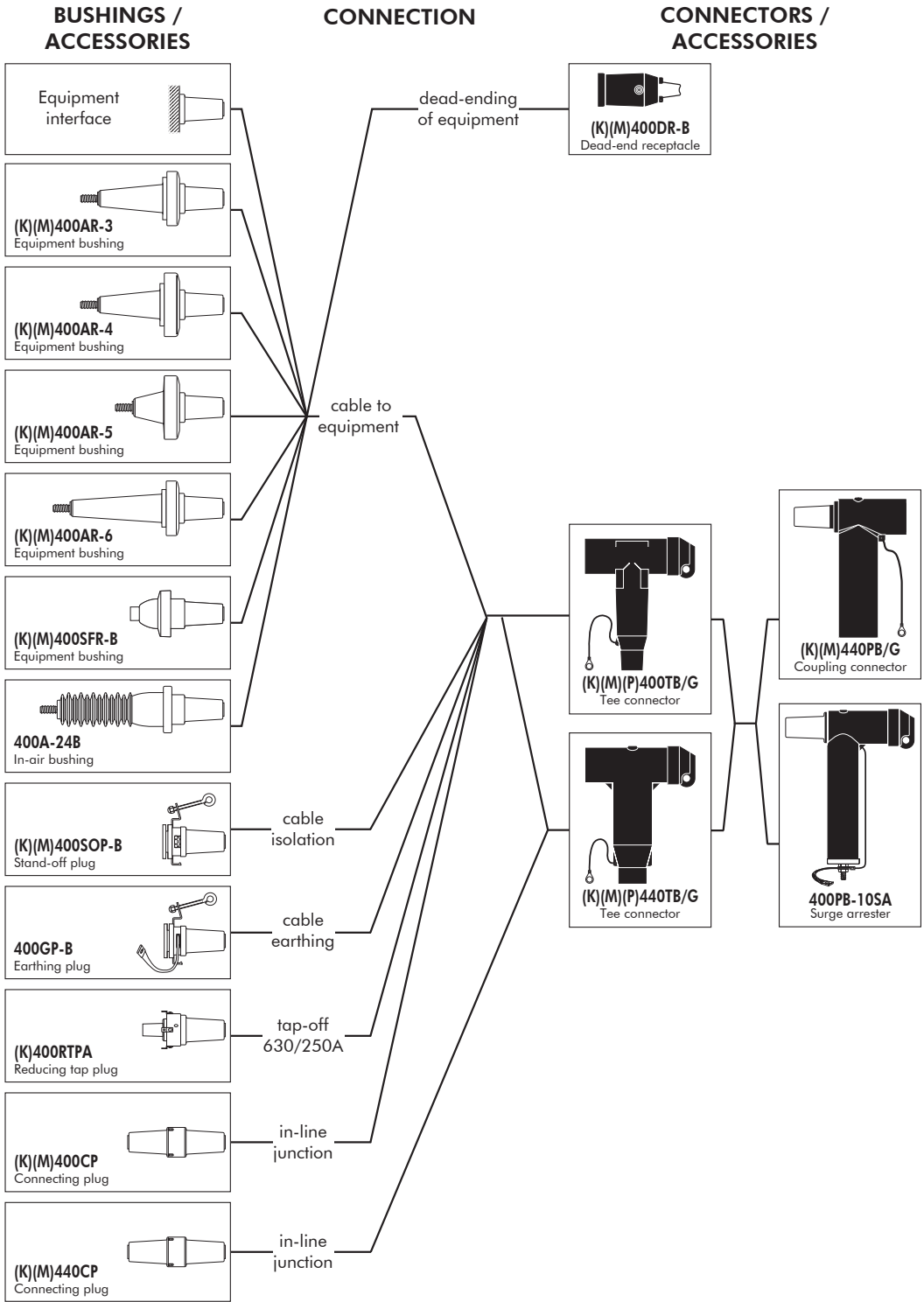


# CONNECTING POSSIBILITIES

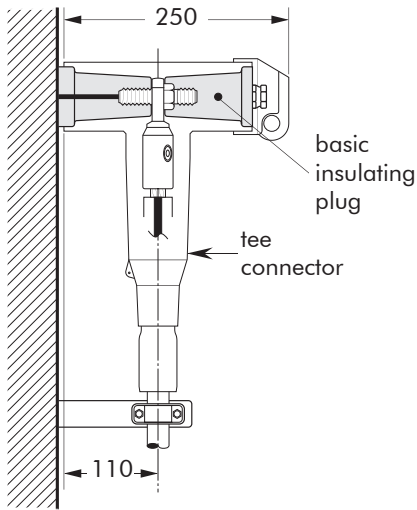


For information on bushings please refer to our bushing catalogue.

# POSSIBLE ARRANGEMENTS

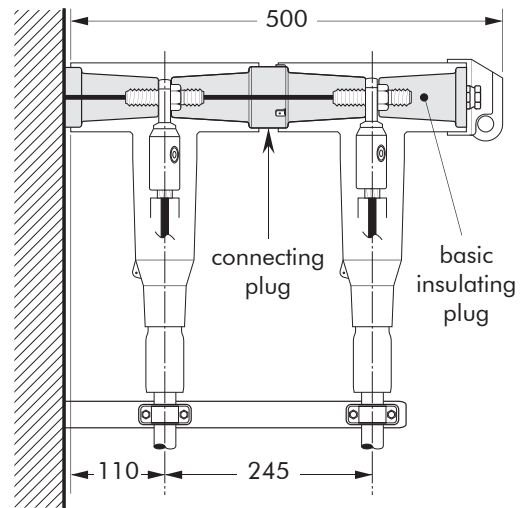
## 400TB/G

Single cable arrangement.  
Order 400TB/G for 12 kV,  
K400TB/G for 24 kV,  
M400TB/G for 36 kV or P400TB/G  
for 42 kV applications.



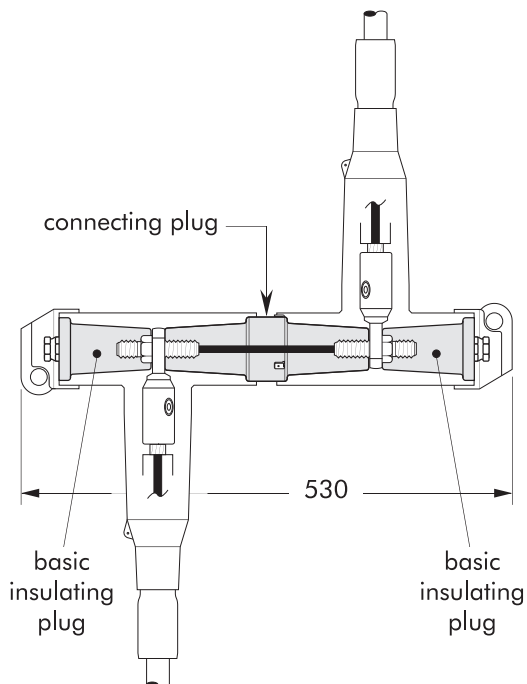
## 400TB/G-P2

Dual cable arrangement.  
Order 400TB/G-P2 for 12 kV,  
K400TB/G-P2 for 24 kV or  
M400TB/G-P2 for 36 kV  
applications.



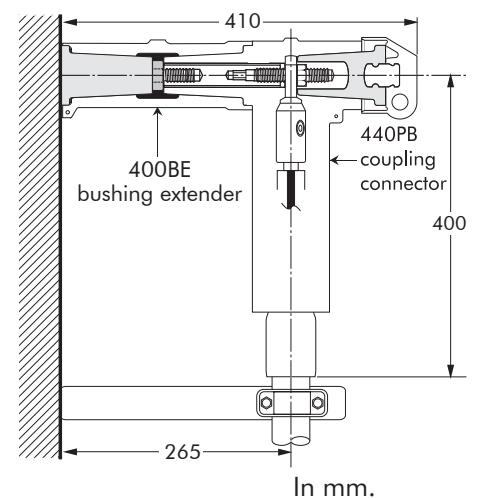
## 400TB/G-L2

2-way connection.  
Order 400TB/G-L2 for 12 kV,  
K400TB/G-L2 for 24 kV or  
M400TB/G-L2 for 36 kV  
applications.



## 400BE+440PB

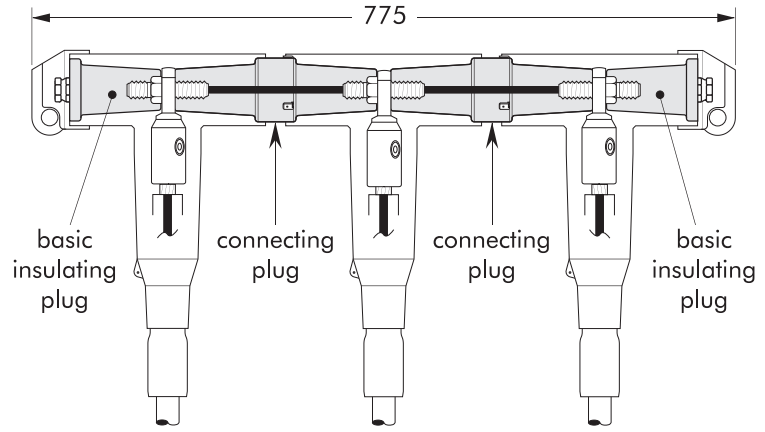
Connector standing away from  
equipment.  
Order 400BE+440PB for 12 kV,  
K400BE+440PB for 24 kV,  
M400BE+440PB for 36 kV or  
P400BE+440PB for 42 kV  
applications.



08/2021

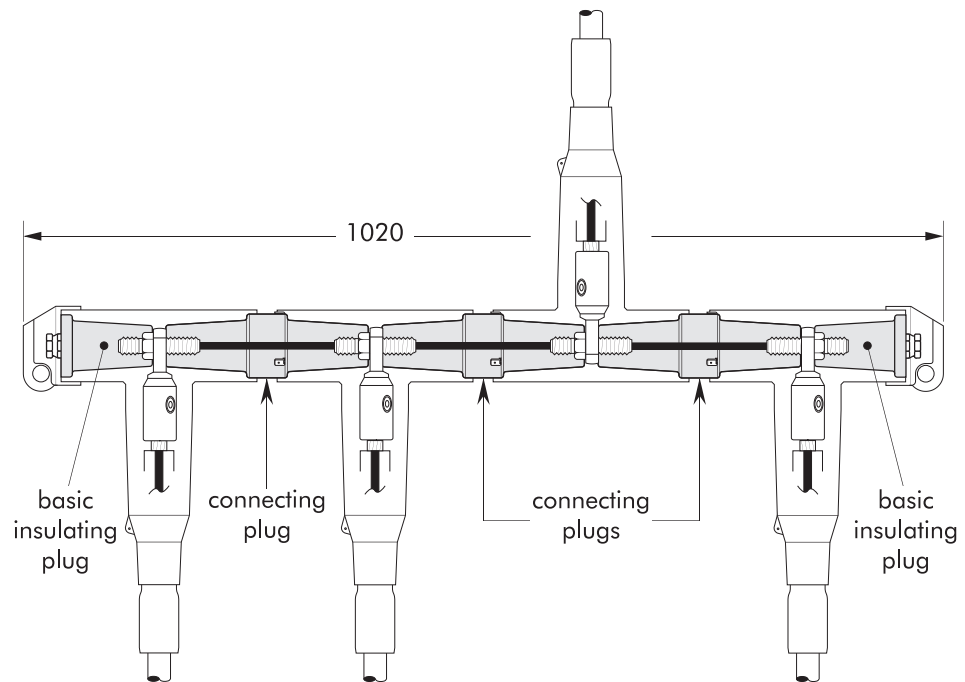
### 400TB/G-L3

3-way connection.  
Order 400TB/G-L3 for 12 kV,  
K400TB/G-L3 for 24 kV or  
M400TB/G-L3 for 36 kV  
applications.



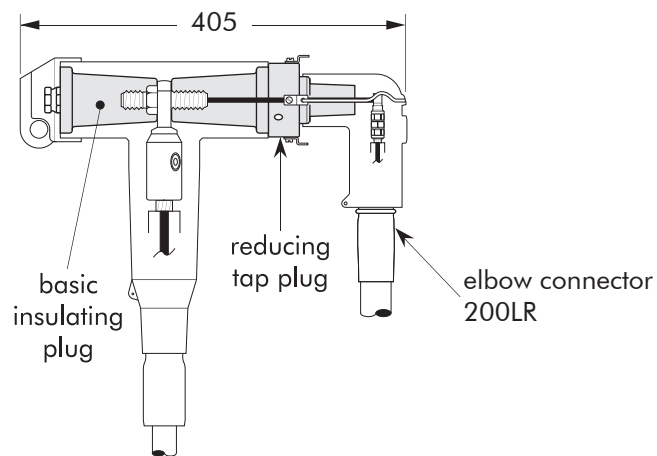
### 400TB/G-L4

4-Way connection.  
Order 400TB/G-L4 for 12 kV,  
K400TB/G-L4 for 24 kV or  
M400TB/G-L4 for 36 kV  
applications.



### 400TB/G+200LR

2-way connection with tap-off.  
Order 400TB/G+200LR+  
400RTPA for 12 kV or K400TB/G  
+200LR+K400RTPA for 24 kV  
applications.

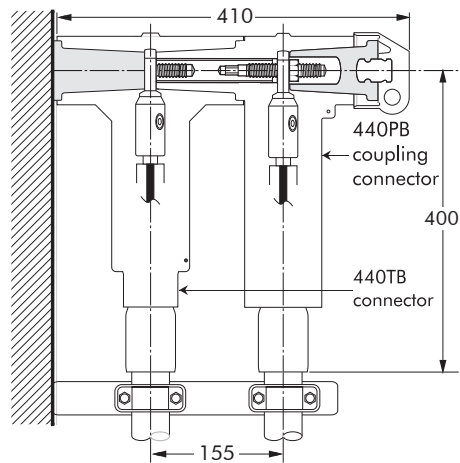


In mm.

## 440TB+440PB-P2

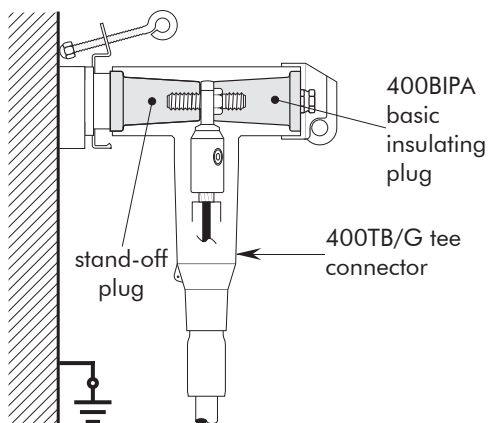
Dual cable arrangement.

Order 440TB/G+440PB/G-P2 for 12 kV, K440TB/G+K440PB/G-P2 for 24 kV, M440TB/G+M440PB/G-P2 for 36 kV, P440TB/G+P440PB/G-P2 for 42 kV.



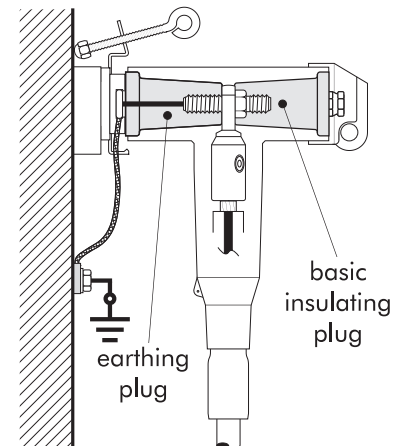
## CONNECTOR ON STAND-OFF PLUG

Order 400SOP-B for 12 kV, K400SOP-B for 24 kV, M400SOP-B for 36 kV or P400SOP-B for 42 kV applications.



## CONNECTOR ON EARTHING PLUG

Order 400GP-B for 12 kV, 24 kV, 36 kV and 42 kV applications.



## CABLE AND EQUIPMENT TESTING

