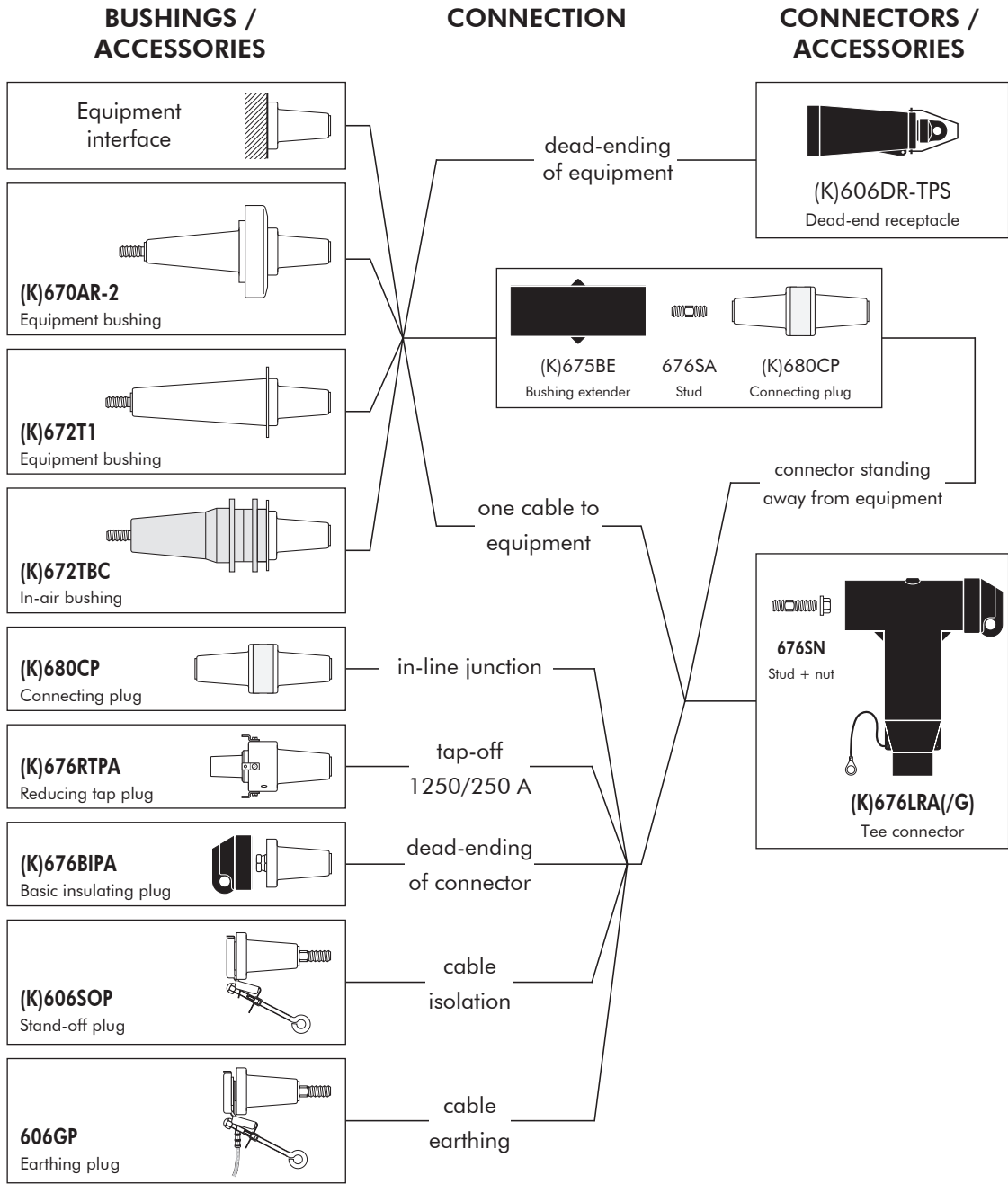


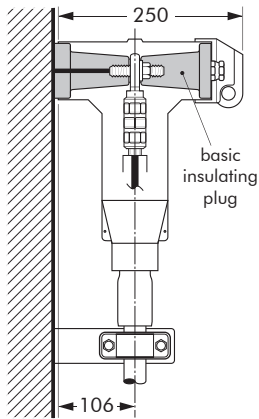
CONNECTING POSSIBILITIES



POSSIBLE ARRANGEMENTS

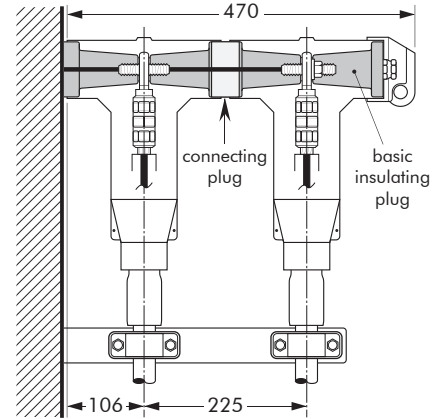
676LRA/G

Single cable arrangement.
Order 676LRA/G for 12 kV or
K676LRA/G for 24 kV
applications.



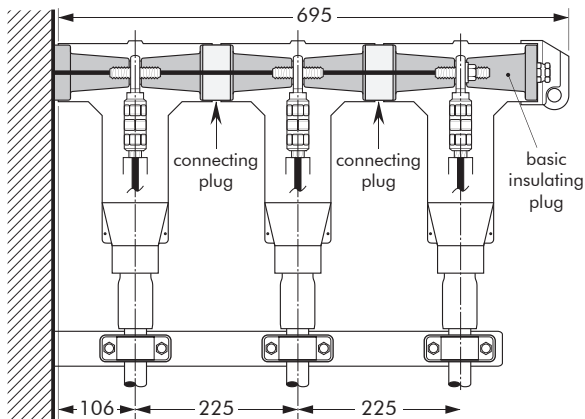
676LRA/G-P2

Dual cable arrangement.
Order 676LRA/G-P2 for 12 kV
or K676LRA/G-P2 for 24 kV
applications.



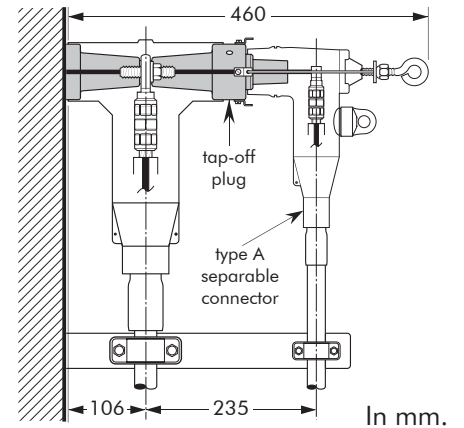
676LRA/G-P3

Triple cable arrangement.
Order 676LRA/G-P3 for 12 kV
or K676LRA/G-P3 for 24 kV
applications.



676LRA/G-P4

Single cable arrangement with
tap-off.
Order 676LRA/G-P4 for 12 kV
or K676LRA/G-P4 for 24 kV
applications.

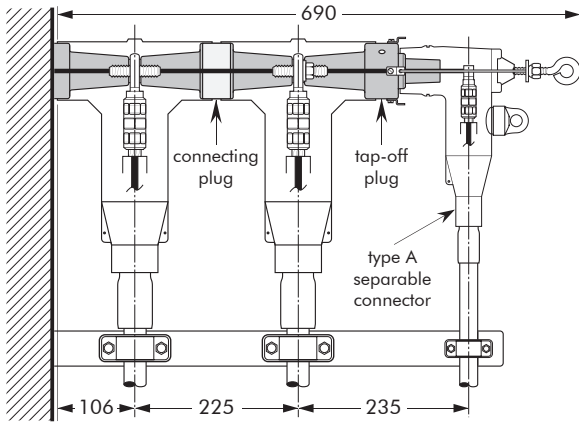


In mm.

02/2020

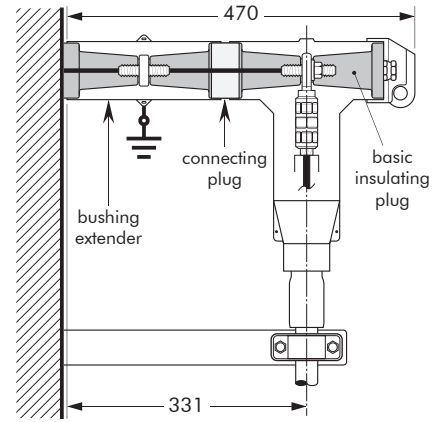
676LRA/G-P5

Dual cable arrangement with tap-off.
Order 676LRA/G-P5 for 12 kV
or K676LRA/G-P5 for 24 kV
applications.



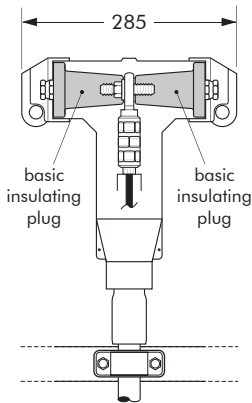
676LRA/G-P6

Connector standing away from equipment.
Order 676LRA/G-P6 for 12 kV
or K676LRA/G-P6 for 24 kV
applications.



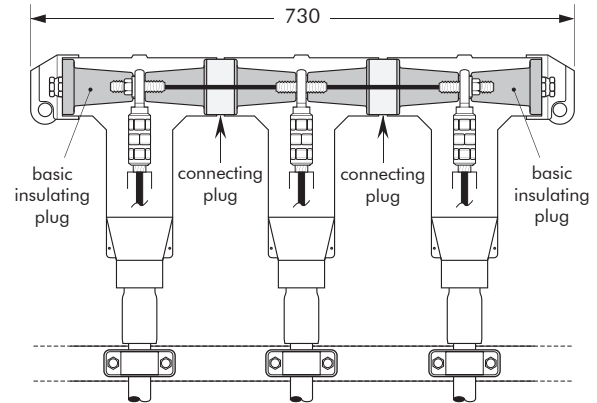
676LRA/G-L1

Dead-ending.
Order 676LRA/G-L1 for 12 kV
or K676LRA/G-L1 for 24 kV
applications.



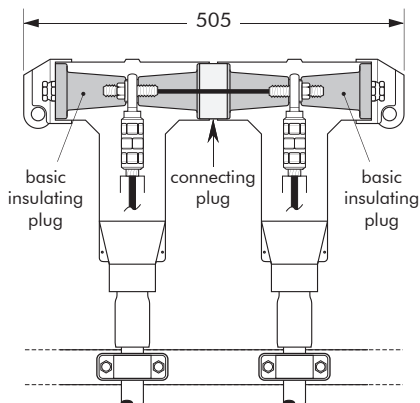
676LRA/G-L3

3-way connection.
Order 676LRA/G-L3 for 12 kV
or K676LRA/G-L3 for 24 kV
applications.



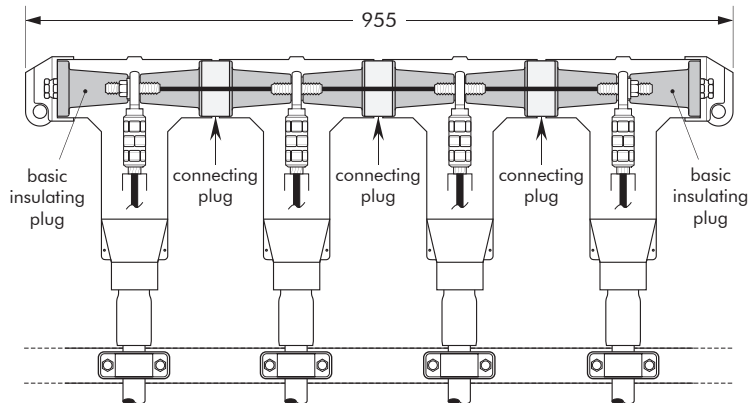
676LRA/G-L2

2-way connection.
Order 676LRA/G-L2 for 12 kV
or K676LRA/G-L2 for 24 kV
applications.



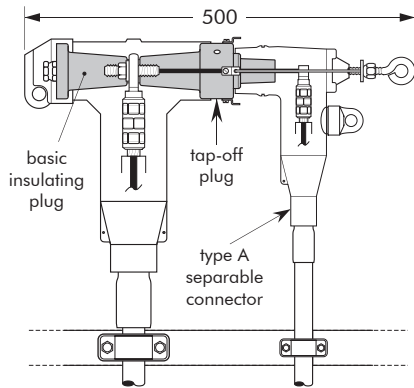
676LRA/G-L4

4-way connection.
Order 676LRA/G-L4 for 12 kV
or K676LRA/G-L4 for 24 kV
applications.



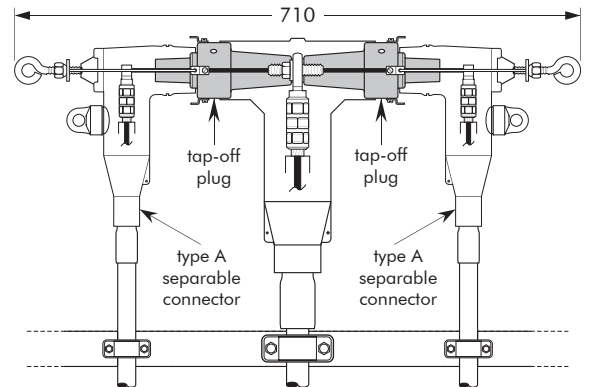
676LRA/G-L5

2-way connection with tap-off.
Order 676LRA/G-L5 for 12 kV
or K676LRA/G-L5 for 24 kV
applications.



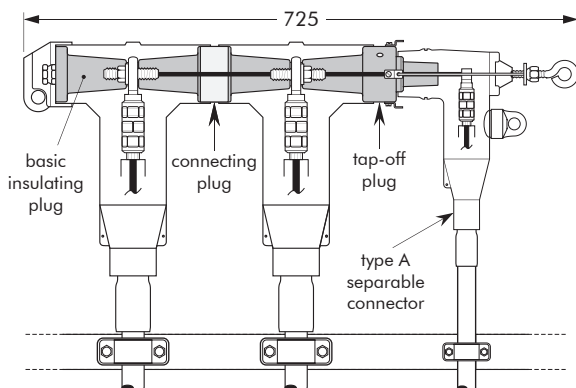
676LRA/G-L6

3-way connection with two
tap-offs.
Order 676LRA/G-L6 for 12 kV
or K676LRA/G-L6 for 24 kV
applications.



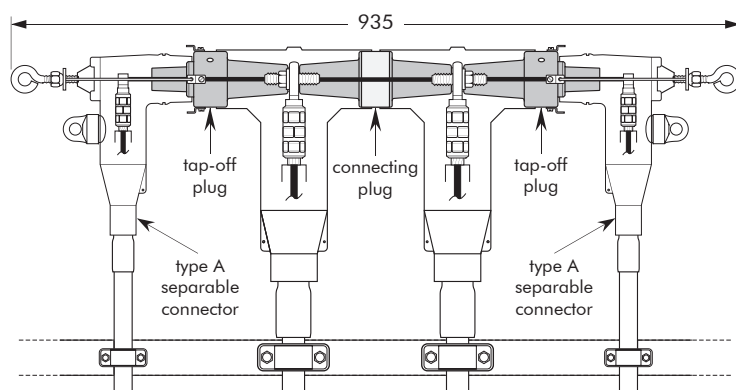
676LRA/G-L7

3-way connection with one tap-off.
Order 676LRA/G-L7 for 12 kV
or K676LRA/G-L7 for 24 kV
applications.



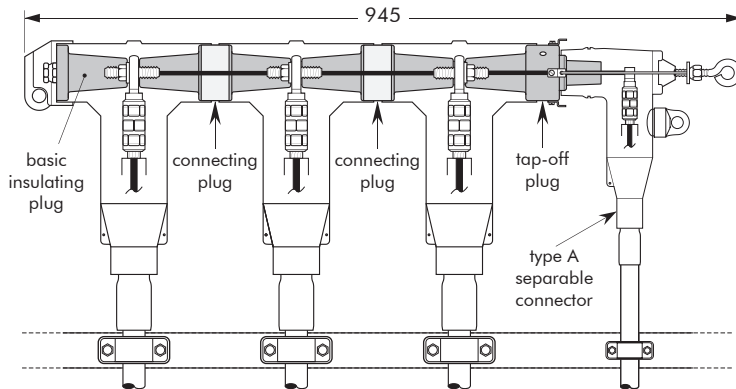
676LRA/G-L8

4-way connection with two
tap-offs.
Order 676LRA/G-L8 for 12 kV
or K676LRA/G-L8 for 24 kV
applications.



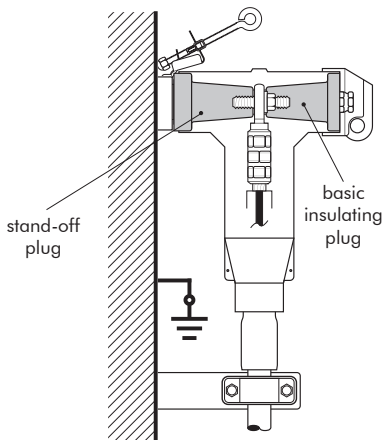
676LRA/G-L9

4-way connection with one tap-off.
Order 676LRA/G-L9 for 12 kV
or K676LRA/G-L9 for 24 kV
applications.



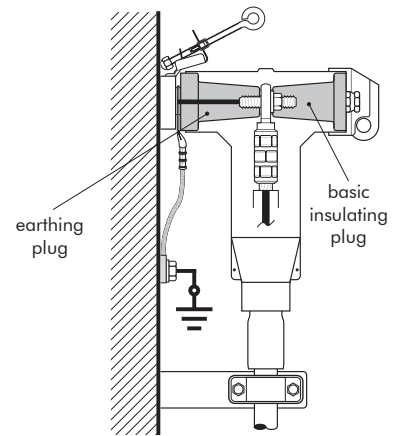
CONNECTOR ON STAND-OFF PLUG

Order 606SOP for 12 kV or
K606SOP for 24 kV applications.



CONNECTOR ON EARTHING PLUG

Order 606GP for 12 kV and
24 kV applications.



In mm.