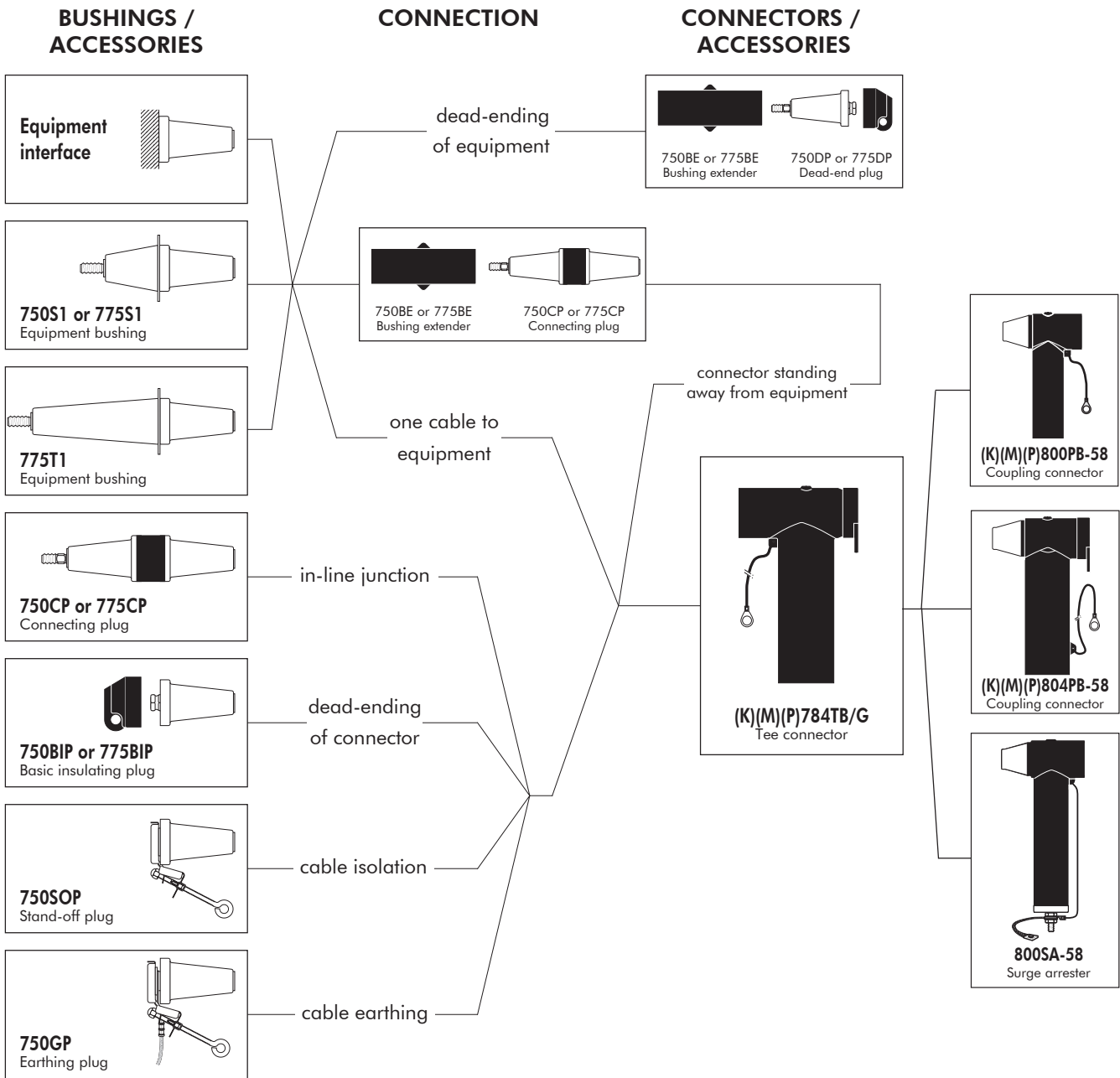


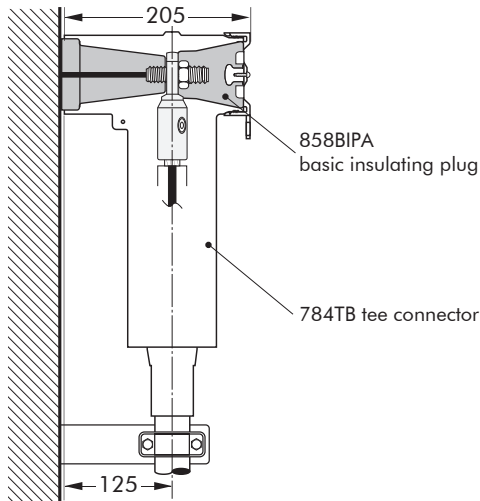
CONNECTING POSSIBILITIES



POSSIBLE ARRANGEMENTS

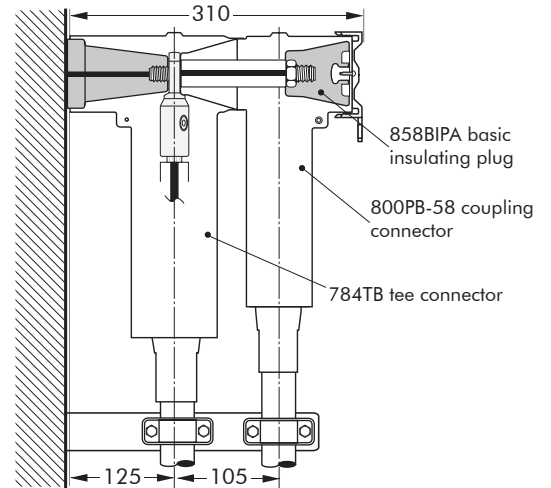
784TB

Single cable arrangement.
 Order 784TB for 12 kV,
 K784TB for 24 kV,
 M784TB for 36 kV or
 P784TB for 42 kV applications.



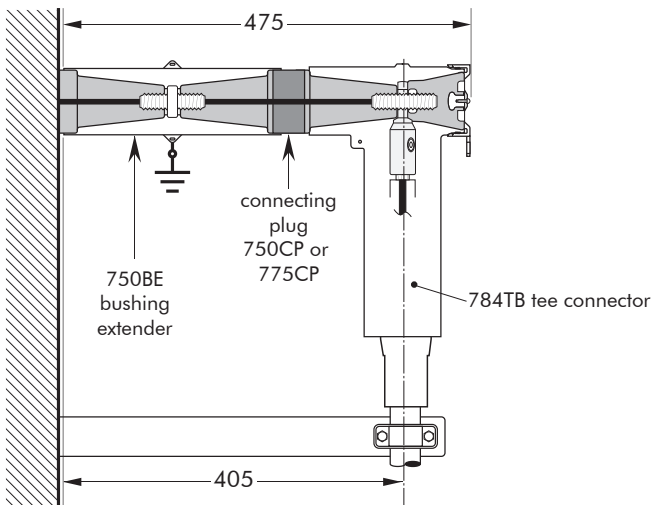
784TB+800PB-58

Dual cable arrangement.
 Order 784TB+800PB-58 for 12 kV,
 K784TB+K800PB-58 for 24 kV,
 M784TB+M800PB-58 for 36 kV
 or P784TB+P800PB-58 for 42 kV
 applications.



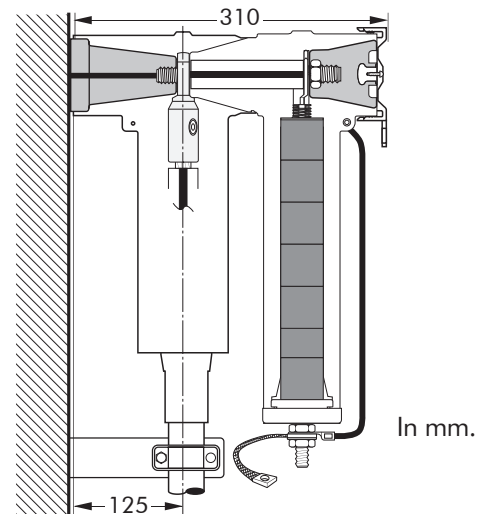
750BE+784TB

Connector standing away from
 equipment.
 Order 750BE+784TB for 12 kV,
 K750BE+K784TB for 24 kV or
 M750BE+M784TB for 36 kV
 applications.



784TB+800SA-58

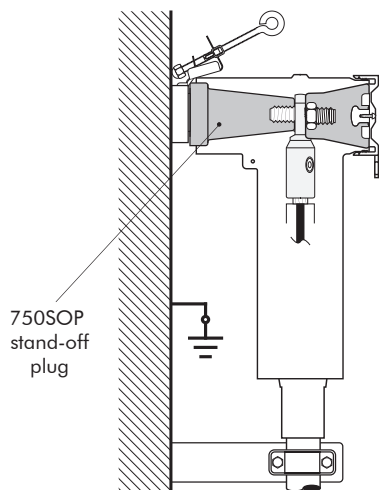
Dead-ending.
 Order 784TB+800SA-58 for 12 kV,
 K784TB+K800SA-58 for 24 kV,
 M784TB+M800SA-58 for 36 kV
 or P784TB+P800SA-58 for 42 kV
 applications.



01/2022

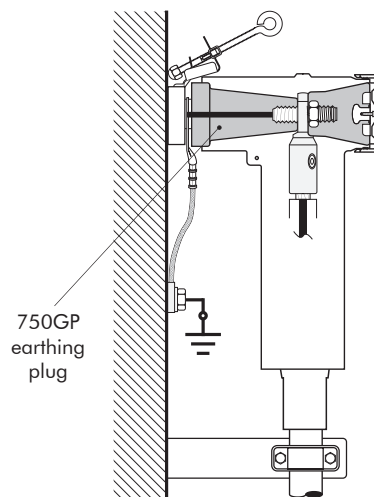
CONNECTOR ON STAND-OFF PLUG

Order 750SOP for 12 kV,
K750SOP for 24 kV or M750SOP
for 36 kV applications.



CONNECTOR ON EARTHING PLUG

Order 750GP for 12 kV, 24 kV or
36 kV applications.



In mm.