

### APPLICATION

For use with connectors and bushings with an interface F as described by CENELEC EN 50180 and 50181.

### TECHNICAL CHARACTERISTICS

All these products, except the earthing plugs, are tested for AC withstand and partial discharge prior to leaving the factory.

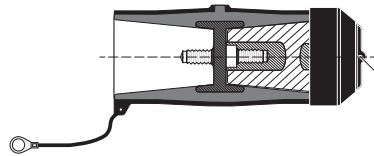
6/10 (12) kV  
6.35/11 (12) kV  
8.7/15 (17.5) kV  
12/20 (24) kV  
12.7/22 (24) kV  
18/30 (36) kV  
19/33 (36) kV  
20.8/36 (42) kV

Up to 42 kV

## EUROMOLD®

### 900DR-B/G DEAD-END RECEPTACLE

Fits over a bushing with a type F interface to provide 'dead-end' facility. The dead-end receptacle is supplied with an earth lead.

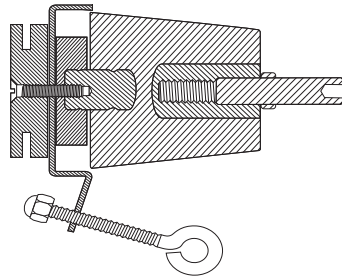


### ORDERING INSTRUCTIONS

Order  
900DR-B/G for 12 kV,  
K900DR-B/G for 24 kV,  
M900DR-B/G for 36 kV or  
P900DR-B/G for 42 kV  
applications.

### 900SOP-B STAND-OFF PLUG

Is designed to support and 'dead-end' connectors with a type F interface when removed from equipment.

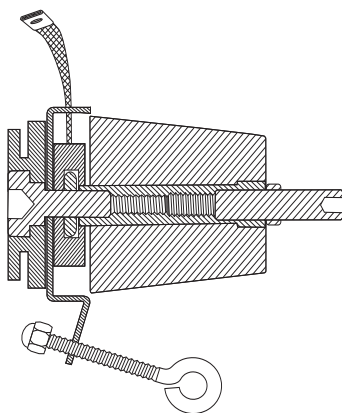


### ORDERING INSTRUCTIONS

Order  
900SOP-B for 12 kV,  
K900SOP-B for 24 kV,  
M900SOP-B for 36 kV or  
P900SOP-B for 42 kV  
applications.

### 900GP-B EARTHING PLUG

Is designed to support and earth connectors with a type F interface when removed from equipment.



### ORDERING INSTRUCTIONS

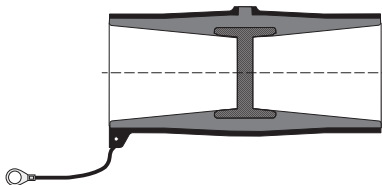
Order  
900GP-B for 12, 24, 36 or  
42 kV applications.

Order  
900GP-SBT for a version with a  
straight ball terminal.

02/2021

## 900BE/G BUSHING EXTENDER

Provides an extension piece to allow cables to stand away from equipment. Is used in conjunction with the 900CP or 909PB. The bushing extender is supplied with an earth lead.



## ORDERING INSTRUCTIONS

Order

900BE/G for 12 kV,

K900BE/G for 24 kV

M900BE/G for 36 kV or

P900BE/G for 42 kV

applications.

Note: delivered with stud/nut/  
washer.