

# SEPARABLE CONNECTORS AND BUSHINGS

## INTERFACE F

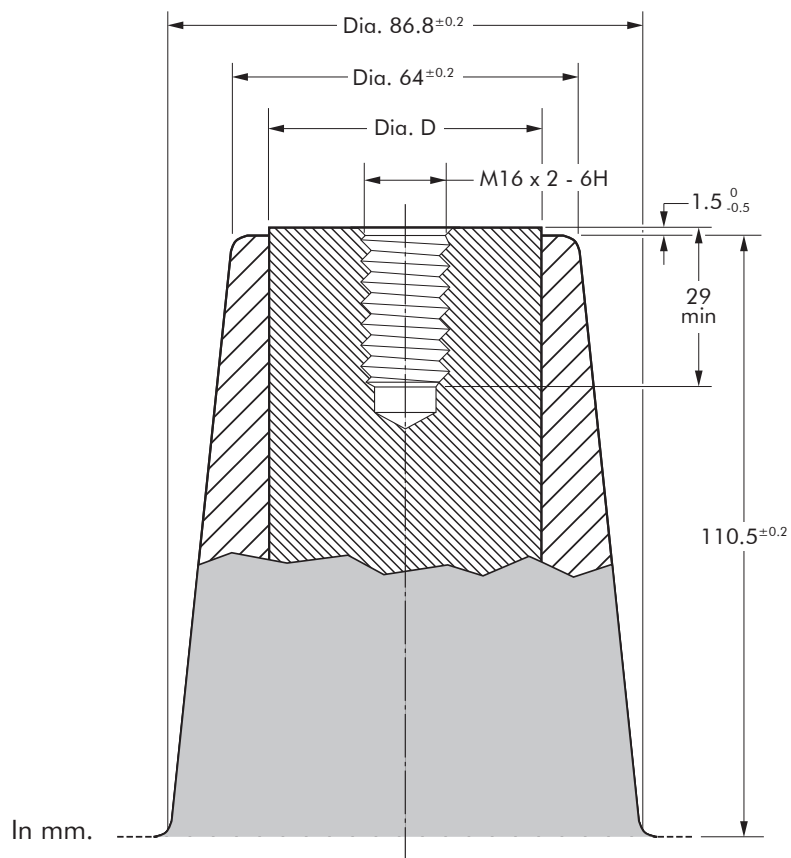
### TABLE OF CONTENTS

- 909TB - tee connector
- 909PB - coupling connector
- 944TB - tee connector
- 900AR-1 - equipment bushing
- 900AR-2 - equipment bushing
- 900AR-3 - equipment bushing
- 900AR-4 - equipment bushing
- Accessories
- Possible arrangements

### INTERFACE F1, F2 & F3

Dimensions according to European CENELEC EN 50180 and 50181 (in mm).

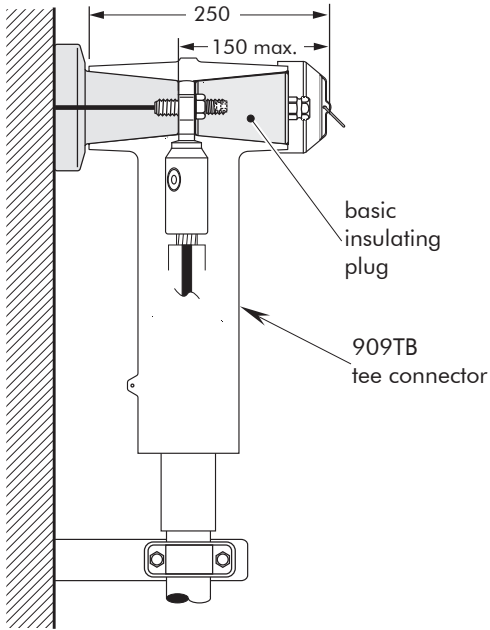
Interface type	Voltage $U_m$ (kV)	Current $I_r$ (A)	Dia. D (mm)
F1	36	2500	50
F2	52	630	22 min
F3	52	1250	32



# POSSIBLE ARRANGEMENTS

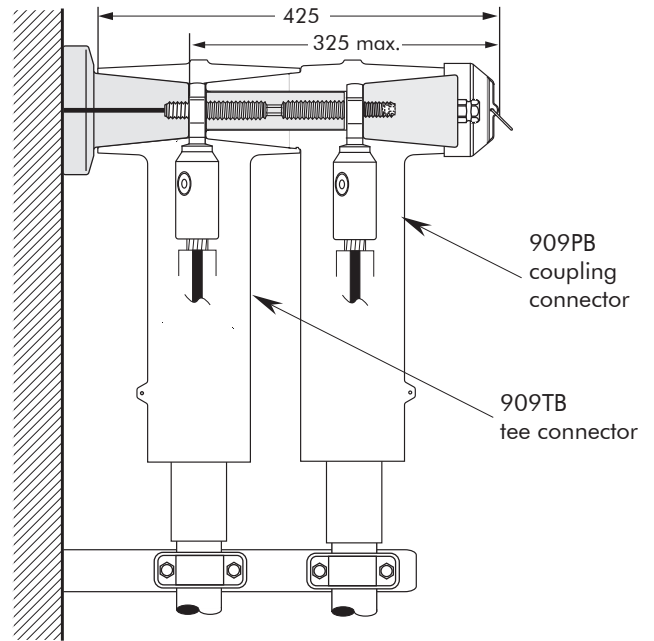
## 909TB/G

Single cable arrangement.

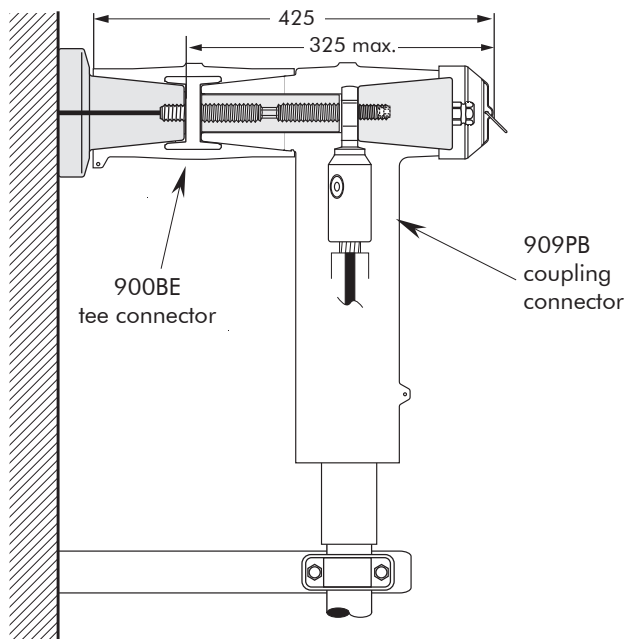


## 909TBM/G-P2

Dual cable arrangement.



## 909TB/G+900BE/G

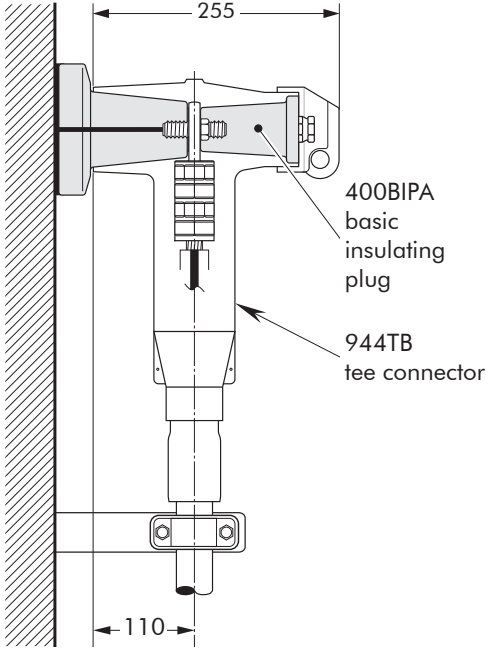


In mm.

02/2021

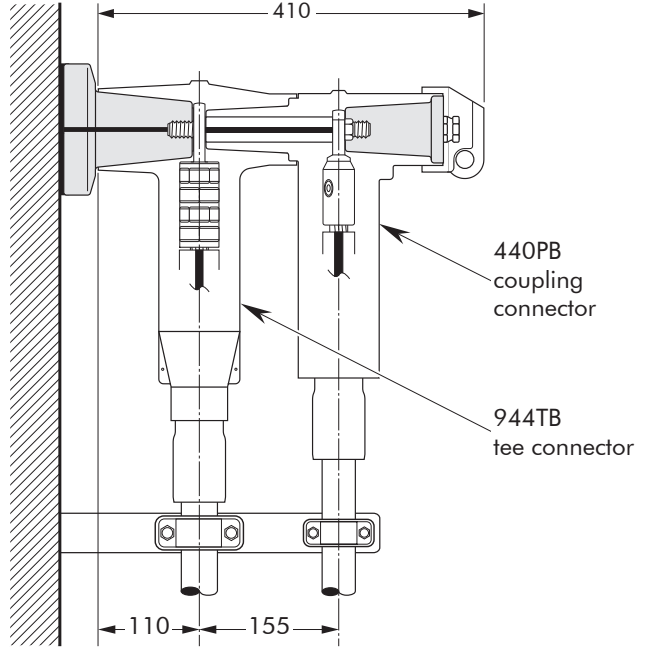
### 944TB/G

Single cable arrangement.  
Order 944TB/G for 12 kV,  
K944TB/G for 24 kV, M944TB/G  
for 36 kV or P944TB/G for 42 kV  
applications.



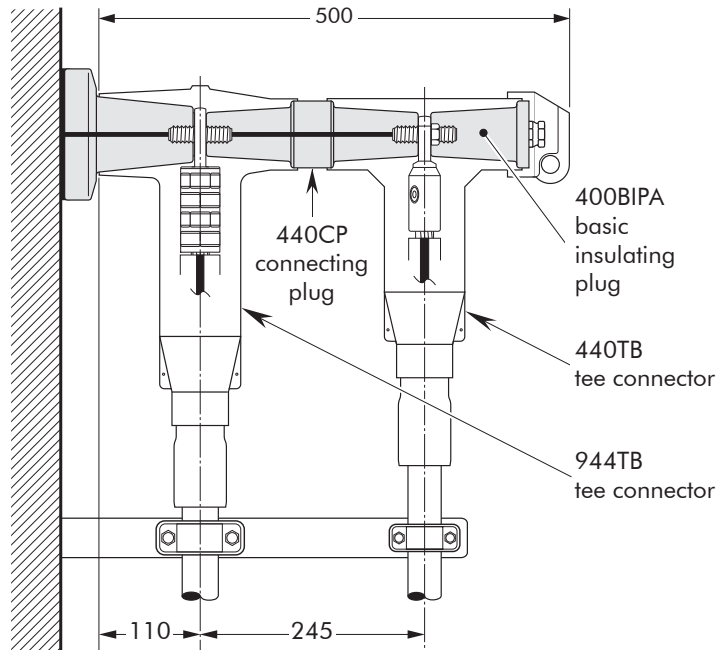
### 944TBM/G-P2

Dual cable arrangement.  
Order 944TBM/G-P2 for 12 kV,  
K944TBM/G-P2 for 24 kV,  
M944TBM/G-P2 for 36 kV or  
P944TBM/G-P2 for 42 kV  
applications.



### 944TB/G-P2

Dual cable arrangement.  
Order 944TB/G-P2 for 12 kV,  
K944TB/G-P2 for 24 kV, M944TB/  
G-P2 for 36 kV or  
P944TB/G-P2 for 42 kV  
applications.



In mm.