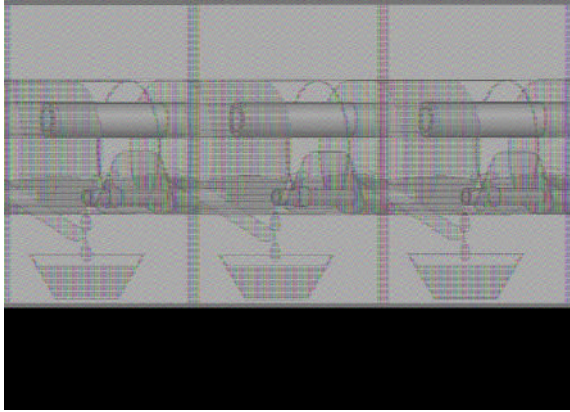


Running Water Kit



One of the reasons why ducts are sealed is to prevent running water getting into a building or enclosure. Often when faced with sealing a duct, this running water is still evident. Our Filoseal Running Water Block system provides the user with a method of preventing the water from ruining any permanent sealing system whilst that system is installed. The kit provides a method of damming the water flow, controlling it and stopping it.

Features

- Non-hardening plastic waterproofing sealant. (Damming Putty)
- 200mm length 15mm pipe
- 15mm Emergency tap
- Pipe insert to strengthen pipe when tap is fitted
- Non-hardening plastic waterproofing sealant. (Damming Putty) x 2
- 200mm length 15mm pipe
- 15mm Emergency tap
- Pipe insert to strengthen pipe when tap is fitted
- Remove the damming putty from the box, warm in the hands.
- Meanwhile fit the tube, tap and pipe insert together, tap in open position.
- Press the damming putty in the bottom of the duct to create a dam blocking the running water. This must be far enough down the duct to allow Filoseal+ to be fitted in front of it (80mm approx).
- Press the pipe assembly into the damming putty ensuring the tap is clear of the duct front end and the back of the pipe is clear of the damming putty
- Press more putty over the pipe onto the original damming putty. This completes the water block
- Ensure the duct in front of the dam is clean and dry
- Fit the Filoseal+ in the normal manner in front of the water block dam
- After the Filoseal+ has cured, (after approx. 8 days) turn the tap off.



[View this product at: filoform.co.uk](http://filoform.co.uk)

Specifications

Properties	Unit	Nominal Value
Dielectric Strength	kV / mm	13,5
Dielectric constant (K)		6.5
Volume Resistivity at 20°C	Ohm.m	8 x 10 ¹¹
Temperature range	°C	-20 to +80
Working voltage (maximum)	kV	1
Specific gravity at 15.5°C		1.70
Flashpoint	°C	+210

TECHNICAL PROPERTIES OF DAMMING PUTTY

More info

FiloSeal+

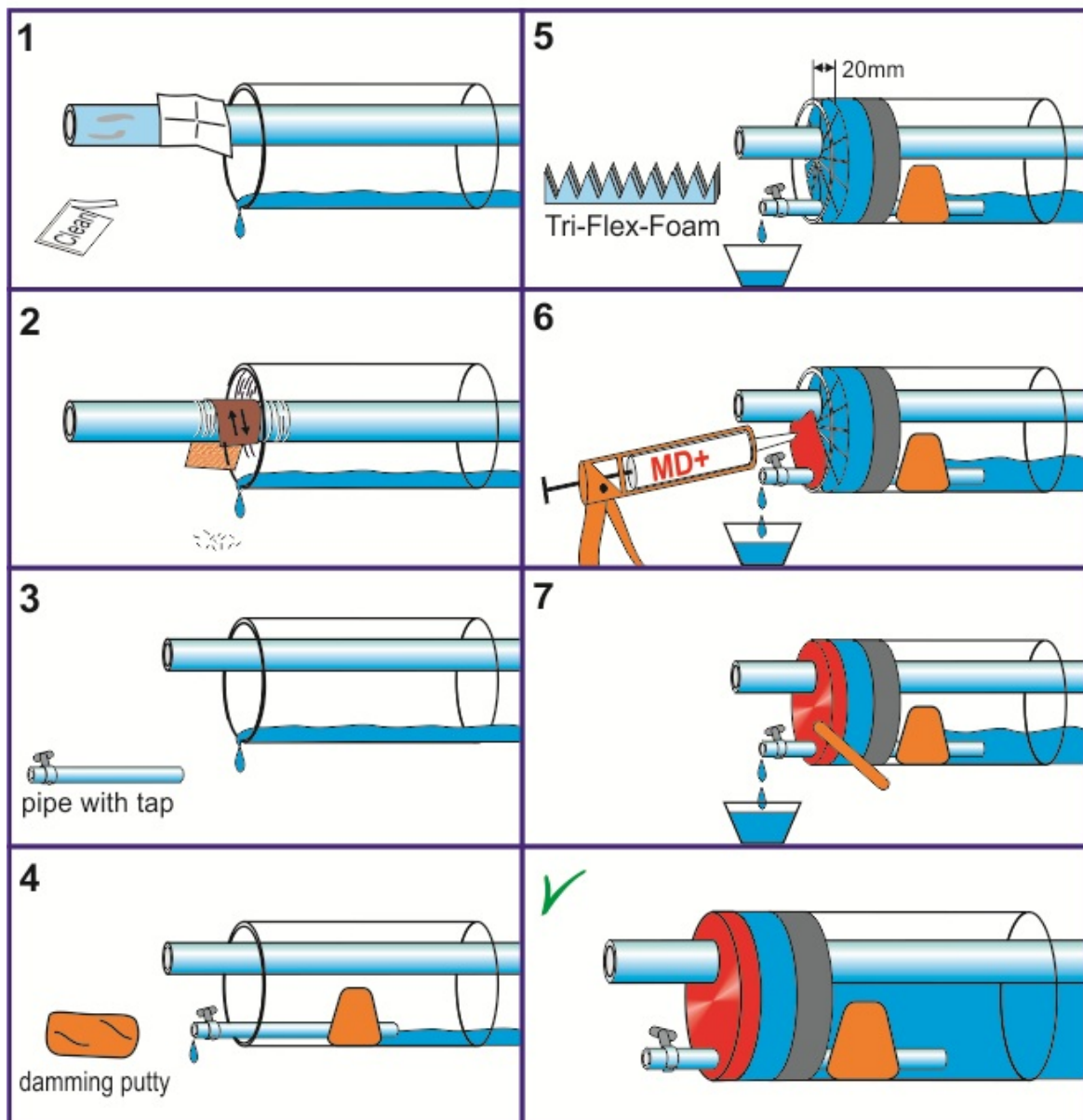
running water block

FILOform

connect ▶ seal ▶ protect ▶

www.filoform.com +31 (0)345 588 220

UK : www.filoform.co.uk +44 (0)1189886873



23-01-2014

FILOform
connect ▶ seal ▶ protect ▶

[View this product at: filoform.co.uk](http://www.filoform.co.uk)

Running Water Kit

Products

Art.nr.	Product Name	Order unit
282592	Small Running Water Block kit	per piece
282593	Large Running Water Block kit	per piece



[View this product at: filoform.co.uk](http://filoform.co.uk)