

Railway cable accessories



Linking the future

As the worldwide leader in the cable industry, Prysmian Group believes in the effective, efficient and sustainable supply of energy and information as a primary driver in the development of communities.

With this in mind, we provide major global organisations in many industries with best-in-class cable and accessory solutions, based on state-of-the-art technology. Through two renowned commercial brands - Prysmian and Draka - based in almost 50 countries, we're constantly close to our customers, enabling them to further develop the world's energy and telecoms infrastructures, and achieve sustainable, profitable growth.

In our energy business, we design, produce, distribute and install cables and systems for the transmission and distribution of power at low, medium, high and extra high voltage.

In telecoms, the Group is a leading manufacturer of all types of copper and fibre cables, systems and accessories - covering voice, video and data transmission.

Drawing on over 130 years' experience and continuously investing in R&D, we apply excellence, understanding and integrity to everything we do, meeting and exceeding the precise needs of our customers across all continents, at the same time shaping the evolution of our industry.



What links global expertise to the wheels of industry?

High-performing cable solutions to keep the wheels of industry turning.

As the world leader in cabling, we draw on global expertise and local presence to work in close proximity with our customers, delivering products and service platforms built on easy contact, bespoke solutions and effective supply chain, meeting their specialised requirements, to help them drive the wheels of industry and achieve sustainable growth and

profitability. On every continent, in applications that range from rolling stock and vehicles for high-speed trains and urban mass transit lines, to all types of rail transport infrastructure, Prysmian's specialist cable solutions sit at the heart of significant international projects; supporting the work of major customers, with high-performing, durable and safe technology.

Prysmian Group's dedicated Components facility based in Wrexham, Wales manufactures and supplies the market with products which are widely used in industrial, commercial and domestic power distribution systems. In addition it offers products for more specialist applications such as Utilities, Railways, Oil, Gas and Petrochemical, Hazardous Areas, Wind and Solar Energy. Today's BICON® product ranges represent over 100 years of cable accessory development and quality engineering building on the pedigree of our previous company names - going back

to BICC. Of course Prysmian Group's Components products are the perfect installation accessory for the Company's vast range of quality, approved cables.

Prysmian Group's comprehensive component product range includes:



- BICON® Cable Glands
- BICON® Cable Cleats
- BICAST® Joints & Terminations
- BICON® Connectors and Tooling
- Flexo® Modular Power Systems
- Flexo® Rail products
- JEM™ Resin
- Connecta System®

From its UK base, Prysmian Group's Components is able to efficiently service the needs of its UK and overseas customers and offers a high level of pre-sales and post-sales customer service.

For further information please contact:

International Sales Office: **+44 2380 295481**
www.biconcomponents.co.uk

Flexo

Prysmian Group's Components business, based in Wrexham, is a leading manufacturer of railway cable accessories and offers a range that is both comprehensive and diverse. Through many years of industry experience and working closely with our customers, Prysmian Group is able to offer railway cable accessories to join, support, terminate and fix all cable types on the market.

Our accessory range has been designed and tested with Prysmian Groups comprehensive cable products and is recommended as the preferred method of installation.

The Flexo® moulded product range has been used throughout the rail network for over thirty years and their reliability is unsurpassed.

The Prysmian Group's dedicated engineering teams have experience over many years in providing innovative design solutions for varied

specialist applications in the railway industry. Based on pre-terminated, moulded technologies, these designs have only one aim: To provide simple, fast assembly electrical connection systems which reduce installation time and cost whilst maximising system safety and reliability.

No matter how complex the connections, Flexo® products are designed and manufactured to allow fast installation whilst eliminating the possibility of connection error, and ensuring that the right connections are made first time, every time. Products are designed to survive environments of vibration, ice, dust, water, abrasions or extreme heat ensuring that Flexo® products will provide lasting and reliable connections.

Contents

Introduction	2-3
Linking the future What links global expertise to the wheels of industry	
Track Circuit Leads	5
Disconnect Boxes	8
Points Machine Coupler System	10
Detection System Cable Assemblies (Clamplock)	12
Points Heating	13
Overhead Line Electrification	16
Catenary Insulators	17
Wedge Taps	18
LV Joints	19





Track circuit leads

Pre-terminated track connection cables.

Applications

There are different types of track circuit leads available:

- Conventional track circuit: Catered for with the 2.5mm² C1 and 2.5mm² E1 type leads.
- Track Circuit (Jointless): Such as 'Aster' and 'T121' are catered for with the 35mm² C1 and 70mm² leads.
- Rail Bonding (Yellow): Catered for with the 35mm² leads identified by yellow sleeving.
- Rail Bonding (Stud Connections): Catered for with the 2.5mm² C1 leads.

Features and Benefits

Our Flexo track circuit leads deliver cost savings in signalling installation and maintenance projects, by providing factory tested quality assurance whilst reducing installation times. The single core cables are supplied with a factory moulded termination at one or both ends. The terminations that are moulded in neoprene provide excellent vibration protection for the electrical connection. Designed to hug the rail web tightly, track circuit lead fixings are at 76mm centres and designed for use with the rail industry standard taper pins. The track circuit leads have twin connections, providing fail safe, long term reliability. A 100% test regime is rigorously employed and every lead is electrically tested in our factory.

All products can be supplied in non-standard, project specified lengths if required. Please contact us for more detail.

Specification and approvals

Prysmian Track Circuit Cable Assemblies comply with the design and performance requirements of the Network Rail standard GK/RT 0301 (where applicable).

Cables:

- C1 and E1 type cables comply with RT/E/PS/00005
- 35mm² CSP sheathed cable complies with BS 7919
- 70mm² CSP sheathed cable complies with BS 638

Technical Data

End Type	
End type A	Moulded 2 hole (L bracket) 2 x 7mm Ø
End type B	Moulded single hole
End type C	Heatshrink lug std
End type D	Heatshrink lug Waterblocked
End type E	Free end

TRACK CIRCUIT LEADS										
Type	Conductor CSA	Cable Type	Strands (Qty/CSA)	Cable Colour	Length (m)	End Type 1	End Type 2	Single Hole Ø (mm)	Prysmian Part No.	PADS Cat. Number
2.5mm²										
Double Ended	2.5mm ²	C1 Neoprene	50/0.25	Black	0.85	-	-	-	W91910201	086/044037
Double Ended	2.5mm ²	C1 Neoprene	50/0.25	Black	1.2	-	-	-	W9191302	086/044038
Single Ended	2.5mm ²	C1 Neoprene	50/0.25	Black	3.0	A	E	-	W91600302	086/044022
Single Ended	2.5mm ²	C1 Neoprene	50/0.25	Black	4.5	A	E	-	W91600506	086/044023
Single Ended	2.5mm ²	C1 Neoprene	50/0.25	Black	6.5	A	E	-	W91600705	084/044024
Single Ended	2.5mm ²	C1 Neoprene	50/0.25	Black	8.0	A	E	-	W91600807	086/044025
Single Ended	2.5mm ²	C1 Neoprene	50/0.25	Black	9.5	A	E	-	W91601019	-
Single Ended	2.5mm ²	C1 Neoprene	50/0.25	Black	10.0	A	E	-	W91601009	-
Single Ended	2.5mm ²	C1 Neoprene	50/0.25	Black	12.0	A	E	-	W91601233	-
Single Ended	2.5mm ²	C1 Neoprene	50/0.25	Black	15.0	A	E	-	W91601510	086/044031
Single Ended	2.5mm ²	C1 Neoprene	50/0.25	Black	16.0	A	E	-	W91601614	-
Single Ended	2.5mm ²	C1 Neoprene	50/0.25	Black	17.5	A	E	-	W91601820	086/044029
Single Ended	2.5mm ²	C1 Neoprene	50/0.25	Black	20.0	A	E	-	W91602012	-
Single Ended	2.5mm ²	C1 Neoprene	50/0.25	Black	25.0	A	E	-	W91602529	-
Single Ended	2.5mm ²	C1 Neoprene	50/0.25	Black	30.0	A	E	-	W91603008	086/044026
Single Ended	2.5mm ²	C1 Neoprene	50/0.25	Black	32.0	A	E	-	W91603213	-
Single Ended	2.5mm ²	C1 Neoprene	50/0.25	Black	35.0	A	E	-	W91603534	-
Single Ended	2.5mm ²	C1 Neoprene	50/0.25	Black	45.0	A	E	-	W91604524	-
Single Ended	2.5mm ²	C1 Neoprene	50/0.25	Black	50.0	A	E	-	W91605015	-
Single Ended	2.5mm ²	C1 Neoprene	50/0.25	Black	55.0	A	E	-	W91605530	-
Single Ended	2.5mm ²	C1 Neoprene	50/0.25	Black	60.0	A	E	-	W91606031	-
Single Ended	2.5mm ²	C1 Neoprene	50/0.25	Black	75.0	A	E	-	W91607532	-
Single Ended	2.5mm ²	C1 Neoprene	50/0.25	Black	80.0	A	E	-	W91608016	-
Single Ended	2.5mm ²	E1 LSOH	50/0.25	Black	4.5	A	E	-	W91600517	-
Single Ended	2.5mm ²	E1 LSOH	50/0.25	Black	6.5	A	E	-	W91600721	-
Single Ended	2.5mm ²	E1 LSOH	50/0.25	Black	8.0	A	E	-	W91600822	-
Single Ended	2.5mm ²	E1 LSOH	50/0.25	Black	9.5	A	E	-	W91601018	-
Single Ended	2.5mm ²	E1 LSOH	50/0.25	Black	30.0	A	E	-	W91603023	-
35mm²										
Double Ended	35mm ²	CSP Sheath Cable		Black	0.5	A	C	10	W91610110	086/044112
Double Ended	35mm ²	CSP Sheath Cable		Black	1.2	A	C	10	W91610101	086/044103
Double Ended	35mm ²	CSP Sheath Cable		Black	1.2	D	D	10	93370101	086/046979
Double Ended	35mm ²	CSP Sheath Cable		Black	1.5	D	D	10/12	93360202	086/046920
Double Ended	35mm ²	CSP Sheath Cable		Black	1.7	A	C	10	W91610207	086/044040
Double Ended	35mm ²	CSP Sheath Cable		Black	2.1	D	D	10/12	93360201	086/46922
Double Ended	35mm ²	CSP Sheath Cable		Black	2.1	D	D	10	93370202	086/046997
Double Ended	35mm ²	CSP Sheath Cable		Black	2.8	D	D	10/12	93360303	086/046921
Double Ended	35mm ²	CSP Sheath Cable		Black	2.9	A	C	10	W91610308	086/044041
Double Ended	35mm ²	CSP Sheath Cable		Black	3.0	A	C	10	W91610303	086/044102
Single Ended	35mm ²	CSP Sheath Cable		Black	3.0	A	E	-	W91620301	086/044155
Single Ended	35mm ²	CSP Sheath Cable		Black	4.5	A	E	-	W91620402	086/044154
Single Ended	35mm ²	CSP Sheath Cable		Black	6.5	A	E	-	W91620603	086/044153
Single Ended	35mm ²	CSP Sheath Cable		Black	8.0	A	E	-	W91620804	086/044152
Single Ended	35mm ²	CSP Sheath Cable		Black	30.0	A	E	-	W91623005	086/044151
Single Ended	35mm ²	CSP Sheath Cable		Black	40.0	A	E	-	W91624006	-

TRACK CIRCUIT LEADS										
Type	Conductor CSA	Cable Type	Strands (Qty/CSA)	Cable Colour	Length (m)	End Type 1	End Type 2	Hole Ø (mm)	Prysmian Part No.	PADS Cat. Number
70mm²										
Double Ended	70mm ²	CSP Sheath Cable	-	Orange	3.0	A	C	10	W91610351	086/44101
Double Ended	70mm ²	CSP Sheath Cable	-	Orange	4.8	A	C	10	W91610552	086/44100
Double Ended	70mm ²	CSP Sheath Cable	-	Orange	4.4	C	D	10	93300301	086/10061
Double Ended	70mm ²	CSP Sheath Cable	-	Orange	4.7	C	D	10	93300502	086/10062
Double Ended	70mm ²	CSP Sheath Cable	-	Orange	11.4	C	D	10	93301003	086/10063
Double Ended	70mm ²	CSP Sheath Cable	-	Orange	11.7	C	D	10	93301204	086/10064
Double Ended	70mm ²	CSP Sheath Cable	-	Orange	3.2	C	D	10/12	93320301	086/46975
Double Ended	70mm ²	CSP Sheath Cable	-	Orange	4.5	C	D	10/12	93320402	086/46976
Double Ended	70mm ²	CSP Sheath Cable	-	Orange	3.2	A	C	10	93340301	086/46898
Double Ended	70mm ²	CSP Sheath Cable	-	Orange	4.6	A	C	10	93340502	086/46899
Double Ended	70mm ²	CSP Sheath Cable	-	Orange	10.2	A	C	10	93341003	086/46900
Double Ended	70mm ²	CSP Sheath Cable	-	Orange	11.6	A	C	10	93341204	086/46901
Double Ended	70mm ²	CSP Sheath Cable	-	Orange	10.2	C	D	10/12	93321003	086/46977
Double Ended	70mm ²	CSP Sheath Cable	-	Orange	11.5	C	D	10/12	93321204	086/46978
Double Ended	70mm ²	CSP Sheath Cable	-	Orange	10.0	A	C	10	W91611056	086/010059
Double Ended	70mm ²	CSP Sheath Cable	-	Orange	11.8	A	C	10	W91611257	086/010060
RAIL BONDING STUD CONNECTION LEADS										
Type	Conductor CSA	Cable Type	Strands (Qty/CSA)	Cable Colour	Length (m)	End Type 1	End Type 2	Hole Ø (mm)	Prysmian Part No.	PADS Cat. Number
Single Ended	2.5mm ²	C1 Neoprene	50/0.25	Black	3.0	B	E	13	W91710301	086/044042
Single Ended	2.5mm ²	C1 Neoprene	50/0.25	Black	4.5	B	E	13	W91710402	086/044043
Single Ended	2.5mm ²	C1 Neoprene	50/0.25	Black	6.5	B	E	13	W91710603	086/044044
Single Ended	2.5mm ²	C1 Neoprene	50/0.25	Black	8.0	B	E	13	W91710804	086/044045
Single Ended	2.5mm ²	C1 Neoprene	50/0.25	Black	30.0	B	E	13	W91713005	086/044046
Double Ended	2.5mm ²	C1 Neoprene	50/0.25	Black	0.9	B	B	13	W91720101	086/044048
Double Ended	2.5mm ²	C1 Neoprene	50/0.25	Black	1.2	B	B	13	W91720102	086/044049
Double Ended	2.5mm ²	C1 Neoprene	50/0.25	Black	1.6	B	B	13	W91720203	086/044047
Double Ended	2.5mm ²	C1 Neoprene	50/0.25	Black	3.0	B	B	13	W91720304	086/044039
TRACK CIRCUIT RAIL FASTENING KITS										
Type	Type	Notes							Prysmian Part No.	PADS Cat. Number
Kit 1	2.5mm ²	Includes clip, taper pins & fasteners for 2.5mm ² cable							W49980043	086/44017
Kit 2	2.5mm ²	Includes taper pins & fasteners for 2.5mm ² cable							W49980060	-
Kit 3	3.5mm ² cable & 70mm ²	Includes clip, taper pins & fasteners for 3.5mm ² cable & 70mm ² cable							W49980064	-



Disconnect Boxes

Applications

The Flexo range of trackside disconnection boxes is compatible with a variety of applications, including Clamplock, Track Circuit, AWS TCAID and Level Crossing Treadle.

The unique design incorporates a hard neoprene moulded back plate, with sliding steel cover providing excellent accessibility. The rail bonding (stud Connections) are catered for with the 2.5mm² C1 leads. With the cover removed, access to the internal terminals is available on all sides. The cover itself is epoxy coated to resist corrosion and includes the facility for security padlocking. The moulded cable nesting grooves simplifies installation as no traditional glands are required.

Features and Benefits

The design principles applied ensure that every unit exceeds the performance requirements. Specifically, the threaded inserts are fully bonded to the neoprene to ensure integrity. They are manufactured from high grade brass to guarantee long life. The covers are exceptionally tough and corrosion resistant. The neoprene body ensures that vibration degradation is eliminated ensuring that terminations will not fracture.

Installation

Cable entry is simplified by the provision of moulded nesting grooves to suit individual applications. The cables are secured by means of a full width clamp/brush sealing arrangement requiring a single allen key only. This facilitates rapid assembly and allows cable routings to be checked quickly and easily. The boxes are designed to be used with cables requiring terminating on site or with certain products from the range of Prysmian pre-terminated detection system cables.

TRACKSIDE DISCONNECT BOX - ACCESSORIES

Description	Prysmian Part Number	PADS Cat. Number
Disconnect box mounting stake, standard length for normal ground conditions	RL1667/00	086/010751
Disconnect box mounting stake, long length for poor ground conditions	RL1678/00	086/088250
Disconnect box mounting stake, extra long length for very poor ground conditions	RL1721/00	086/088260
Disconnect box mounting stake, long length for TCAID applications	RL1670/00	086/088261
Post mounting kit for disconnect boxes	W49980058	086/010754
Small Stainless Steel Cover 204x111x70	RL1696/00	-

Technical Data

TRACKSIDE DISCONNECT BOXES											
Size	Width	Length	Depth	No. Cable Entries	Contact block rows	Contact Pairs		Prysmian Part No.	PADS Cat. No.	Typical Applications	
						Row 1	Row 2				
Small	204	111	70	5	1	4	-	W91730001	086/043877	Track circuit applications, style 11211	
Small	204	111	70	5	1	4	-	W91740001	086/043879	TCAID-N applications, style 11111	
Small	204	111	70	2	1	4	-	W91760001	086/043880	AWS applications, style 20002	
Small	204	111	70	2	1	4	-	W91790001	-	AWS applications, style 20002B, for B2 cable entry	
Small	204	111	70	3	1	4	-	W91800001	086/043881	TCAID-N applications, style 30011	
Small	204	111	70	2	1	4	-	W91810001	086/043886	2 x 4 core cables, style 40004	
Small	204	111	70	4	1	4	-	W91830001	086/043887	Inductor, style 2222	
Small	204	111	70	2	1	3	-	W91920001	086/010761	TPWS applications, 3 way	
Small	204	111	70		1		-	W92150001			
Small Extended	229	111	70	4	1	6	-	W92190001	086/010762	TPWS applications, 6 way	
Medium	204	190	70	4	1	5	-	W91570001	086/032121	Medium disconnect box, clamplock applications	
Medium	204	190	70	6	1	4	-	W91580001	-	Medium disconnect box, diode applications	
Medium Extended	229	190	70	4	1	6	6	W91860001	-	-	
Medium Extended	229	190	70	6	1	6	6	W91870001	-	-	
Medium Extended	229	190	70	3	1	4	4	W91880001	-	-	
Medium Extended	229	190	70	4	2	4	4	W92120001	088/000502	Point machine coupler, way 4 + 4 way	
Large	350	130	75	2	1	12	-	W91890001	086/010753	-	
Large	350	130	75	4	1	12	-	W91980001	-	-	
Large	350	130	75	2	1	10	-	W92170001	-	-	
Extra Large	350	241	75	4	2	10	10	W91970001	-	-	
Extra Large	350	241	75	5	2	12	12	W92040001	-	-	
Extra Large	350	241	75	4	2	10	4	W92130001	088/000503	-	
Extra Large	350	241	75	4	2	10	4	W92130001L	-	-	
Extra Large	350	241	75	?	2	10	4	W92640001	W91611257	-	

PLUG COUPLED DISCONNECT BOXES											
Type	Width	Length	Depth	No. Cable Entries	No. Sockets	Way 1	Way 2	Prysmian Part No.	PADS Cat. No.		
4+4 Hy Drive Disconnect Box	350	125	242	2	2	4	4	UW91960001	-		
7+7 Hy Drive Disconnect Box	350	125	242	2	2	7	7	UW91950001	-		
10+10 Hy Drive Disconnect Box	410	150	242	2	2	10	10	UW91940001	-		



Points Machine Coupler System

Applications

The points machine coupler provides a reliable and easy to install connection from the point machine to the disconnect box. The cornerstone of the design is a plug and socket arrangement on the point machine with pre-terminated leads on the other end. By using the Prysmian plug coupler system possession times are dramatically reduced.

- Designed for use with Prysmian Disconnect Boxes
- Low smoke, zero halogen cable version is available
- Quick and accurate connection at the disconnect box
- Satisfies the continuous drive within the rail industry for improvements to trackside electrical connections

The couplers are specially designed for use with Alstom HW points machine. Pre-terminated socket leads are available with moulded palms on the other end of the cable. They are provided in standard lengths of 5m, 10m, 15m and 20m. All products can be supplied in non-standard, project specified lengths if required. Please contact us for more detail.

Features and Benefits

The nickel plated brass plug and socket arrangement will not deteriorate during service. The moulded plugs are made from vulcanised neoprene which is fully bonded to the cable sheath and provides a waterproof seal with excellent strain relief. A 100% testing regime is rigorously employed. Every lead is electrically tested at the factory for voltage withstand, insulation resistance and correct continuity. For safety purposes the plug & socket can only be coupled one way. Tactile locator pips ensure that the correct orientation can easily be achieved in the worst conditions therefore it is impossible to terminate incorrectly.

Available configurations include:

- Plug coupler: For fitting to the point machine. Available in 4 Way & 10 Way configurations.
- Socket coupler with free cable end: For connecting the point machine to a disconnect box. These are hard wired and available in 4 Way & 10 Way configurations.
- Socket coupler with moulded termination on cable end: For connecting the point machine to a disconnect box, quick assembly. This solution offers the speediest installation. Available in 4 Way & 10 Way configurations.

Specification and approvals

Network Rail approval PAS05/297.

Technical Data

PLUG ASSEMBLIES				
Description	Contacts	Tail Length (m)	Prysmian Part Number	PADS Cat. Number
Plug Coupler 4 Way	4	1	W22800101	088/000500
Plug Coupler 10 way	10	1	W22790101	088/000501
SOCKETS				
4 Way				
4 Way Socket to Free End	4	5	W22700501	088/000504
4 Way Socket to Free End	4	10	W22701002	088/000505
4 Way Socket to Free End	4	15	W22701503	088/000506
4 Way Socket to Free End	4	20	W22702004	088/000507
4 Way socket to Moulded Termination	4	5	W22870501	088/000520
4 Way socket to Moulded Termination	4	10	W22871002	088/000521
4 Way socket to Moulded Termination	4	15	W22871503	088/000522
4 Way socket to Moulded Termination	4	20	W22872004	088/000523

SOCKETS				
Description	Contacts	Tail Length (m)	Prysmian Part Number	PADS Cat. Number
4 Way				
4 Way Moulded Termination to Free End	4	5	W22890501	088/000512
4 Way Moulded Termination to Free End	4	10	W22891002	088/000513
4 Way Moulded Termination to Free End	4	15	W22891503	088/000514
4 Way Moulded Termination to Free End	4	20	W22892004	088/000515
10 Way				
10 Way Socket to Free End	10	5	W22690501	088/000508
10 Way Socket to Free End	10	10	W22691002	088/000509
10 Way Socket to Free End	10	15	W22691503	088/000510
10 Way Socket to Free End	10	20	W22692004	088/000511
10 Way socket to Moulded Termination	10	5	W22860501	088/000524
10 Way socket to Moulded Termination	10	10	W22861002	088/000525
10 Way socket to Moulded Termination	10	15	W22861503	088/000526
10 Way socket to Moulded Termination	10	20	W22862004	088/000527
10 Way Moulded Termination to Free End	10	5	W22900501	088/000516
10 Way Moulded Termination to Free End	10	10	W22901002	088/000517
10 Way Moulded Termination to Free End	10	15	W22901503	088/000518
10 Way Moulded Termination to Free End	10	20	W22902004	088/000519
DISCONNECTION BOXES FOR POINT MACHINE PLUG COUPLER SYSTEM				
4 Way	4+4	-	W92120001	088/000502
10 Way	10+10	-	W92130001	088/000503



Detection System Cable Assemblies (Clamplock)

Applications

Designed for use on detection circuits for various types of points switching mechanisms and other systems.

- Clamplock detector: Catered for with the 4 core, 2.5mm² C2 type leads
- 12 Core Signalling Systems: Catered for with 12 core, 2.5mm² C2 type leads
- Level Crossing Treadle Leads: Catered for with the 7 core, 2.5mm² C2 type leads and 6 core CT451 cable (when supplied with SILEC connector)

Features and Benefits

The Flexo® detection system cable assemblies offer a fast fit, pre-terminated connection for trackside detection systems (such as clamplock point detectors). With factory moulded palms at one or both ends of the cable the key benefits are speed, reliability and high quality. Nickel plated brass eyelets are terminated to each core and encapsulated in neoprene. This ensures good electrical connection and resistance to corrosion. The neoprene moulding is fully vulcanised to the cable sheath providing a waterproof seal with excellent strain relief. The excellent inherent flexibility enables mouldings to pass through restrictions such as glands. They have excellent resistance to vibration degradation and are available in low smoke, zero halogen option.

Specification and approvals

The detection System Cable assemblies comply with the design and performance requirements of Network Rail specification BR1974 (where applicable).

Cables: • C2 cables comply RT/E/PS/00005 • Cables supplied with SILEC connectors comply with CT451 (France).

Technical Data

CLAMPLOCK DETECTOR LEAD								
Description	Conductor CSA (mm ²)	Cable Type	Strands (Qty/CSA)	Cable Colour	Cores	Length (m)	Prysmian Part No.	PADS Cat. Number
Double Ended Moulding	2.5	C2 Neoprene	50/0.25	Black	4	2.3	W22990301	088/002444
Double Ended Moulding	2.5	C2 Neoprene	50/0.25	Black	4	3.3	W22990402	088/002445
Double Ended Moulding	2.5	C2 Neoprene	50/0.25	Black	4	4.2	W22990403	088/002446
Double Ended Moulding	2.5	C2 Neoprene	50/0.25	Black	4	7.8	W22990806	088/002454
Double Ended Moulding	2.5	C2 Neoprene	50/0.25	Black	4	10.0	W22991007	088/002456
Double Ended Moulding	2.5	C2 Neoprene	50/0.25	Black	4	12.0	W22991211	-
Double Ended Moulding	2.5	C2 Neoprene	50/0.25	Black	4	15.0	W22991508	088/002455
Double Ended Moulding	2.5	C2 Neoprene	50/0.25	Black	4	25.0	W22992512	-
SIGNALLING CABLE WITH MOULDED TERMINATION								
Single Ended Moulding	2.5	C2 Neoprene	50/0.25	Black	12	5	W22950501	088/002443
Single Ended Moulding	2.5	C2 Neoprene	50/0.25	Black	12	10	W22951002	088/002442
Single Ended Moulding	2.5	C2 Neoprene	50/0.25	Black	12	15	W22951503	088/002441
Single Ended Moulding	2.5	C2 Neoprene	50/0.25	Black	12	20	W22952004	088/002440
LEVEL CROSSING TREADLE LEADS								
Single Ended Moulding	2.5	C2 Neoprene	50/0.25	Black	7	3	W22970301	088/044108
Single Ended Moulding	2.5	C2 Neoprene	50/0.25	Black	7	4.5	W22970502	088/044109
Single Ended Moulding	2.5	C2 Neoprene	50/0.25	Black	7	6.5	W22970703	088/044110
Single Ended Moulding	2.5	C2 Neoprene	50/0.25	Black	7	8	W22970804	088/044111
With SILEC Connector	1	-	-	Black	6	3	W22980302	086/044104
With SILEC Connector	1	-	-	Black	6	4.5	W22980503	086/044105
With SILEC Connector	1	-	-	Black	6	6.5	W22980704	086/044106
With SILEC Connector	1	-	-	Black	6	8	W22980805	086/044107



Points Heating

Applications

A plug in moulded socket block system and socket harness system for strip-type points heaters and pad and cartridge heaters.

Strip type point heaters:

- Catered for with the moulded block system
- 2 way, 4 way and 8 way blocks available
- Galvanised steel keep plates provide protection from accidental damage or vandalism
- 4 core 1.5mm², 8 core 1.5mm² and 8 core 4mm² EPR/PCP cables available

Pad and cartridge heaters:

- Catered for with the harness system
- 2 core and 8 core harnesses available

Features and Benefits

Points heating commissioning and maintenance becomes very fast, accurate and reliable with the application specific Flexo[®] systems. The Flexo[®] points heating moulded blocks are for use with the modern strip type heaters. The Flexo[®] points heating harnesses are for use with the pad and cartridge style heaters. The waterproof anti-vibration plug allows the heater element to be connected or isolated in seconds. Designed to reduce installation times to an absolute minimum e.g. the 4-heater system can be typically commissioned with just 4 minutes being spent between the rails (the block can be wired alongside the track then fed under the rail). The neoprene construction inhibits vibration degradation.

A 100% testing regime is rigorously employed. Every moulded block, harness and anti-vibration plug lead is tested for electrical continuity and voltage withstand in the factory. In addition, each moulded block and harness is subjected to a 24hr water immersion test thus guaranteeing the waterproof properties.

Specification and approvals

The Flexo[®] moulded block system is fully type approved to Network Rail RT/E/S/40045 and Network Rail Type Code of Practice RT/E/S/40045. The Flexo[®] harness system is fully approved to Network Rail specification PS99A.

Technical Data

POINTS HEATING BLOCK WITH MOULDED IN CABLE - FOR STRIP HEATING							
Description	Conductor CSA (mm ²)	Cores	Ways	Lead Length (m)	Prysmian Part No.	PADS Cat. Number	
Harness, with free end	-	2	12	-	W91471113	055/027045	
Harness, with free end	-	2	13	-	W91471114	055/027046	
Harness, with free end	-	2	14	-	W91471215	055/027047	
Harness, back to back, with plug and rewirable socket	-	2	12	-	W91500506	055/027068	
harness, back to back, with plug and rewirable socket	-	2	14	-	W91500607	055/027063	
harness, back to back, with plug and rewirable socket	-	2	16	-	W91500708	055/027064	
harness, back to back, with plug and rewirable socket	-	2	18	-	W91500809	055/027066	
harness, back to back, with plug and rewirable socket	-	2	20	-	W91500810	055/027067	
harness, back to back, with plug and rewirable socket	-	2	24	-	W91501012	055/027070	
Rewireable socket, usually supplied with back to back harnesses	-	2	-	-	W90290001	055/027681	
Rewireable socket, usually supplied with harnesses with moulded plug	-	8	-	-	W91290001	055/027687	
Pad heater lead, with plug and box end	-	-	-	-	W91260101	055/027517	
Cartridge heater lead, with plug and free end	-	-	-	0.97	W91320101	055/027582	
Cartridge heater lead, with plug and free end	-	-	-	1.57	W91320207	-	

POINTS HEATING BLOCK WITH MOULDED IN CABLE - FOR STRIP HEATING

Description	Conductor CSA (mm ²)	Cores	Ways	Lead Length (m)	Prysmian Part No.	PADS Cat. Number
Adapter, unfused	-	-	-	-	W91460001	055/025926
Adapter, fused	-	-	-	-	W91450001	055/025927
Blanking cap for sockets	-	-	-	-	W91480001	055/025991
Plastic spacer bush for securing outlets (Min 100)	-	-	-	-	W49990002	055/022001
Retaining clip, back to back harnesses	-	-	-	-	385AA06	055/005320
Retaining clip, heater lead	-	-	-	-	385AA02	065/051510

POINTS HEATING HARNESS SYSTEM FOR PAD & CARTRIDGE HEATING

Harness with plug and rewirable socket	1.5	8	4	3.6	W90920404	055/026969
Harness with plug and rewirable socket	1.5	8	5	4.4	W90920405	055/026968
Harness with plug and rewirable socket	1.5	8	6	4.4	W90920506	055/026967
Harness with plug and rewirable socket	1.5	8	7	5.8	W90920607	055/026966
Harness with plug and rewirable socket	1.5	8	8	6.6	W90920708	055/026965
Harness with plug and rewirable socket	1.5	8	9	7.3	W90920709	055/026964
Harness with plug and rewirable socket	1.5	8	10	8.3	W90920810	055/026963
Harness with plug and rewirable socket	1.5	8	11	8.8	W90920911	055/026971
Harness with plug and rewirable socket	1.5	8	12	9.8	W90921012	055/026972
Harness with free end*	1.5	8	4	3.5	W91250404	055/026976
Harness with free end*	1.5	8	5	4.3	W91250405	055/026977
Harness with free end*	1.5	8	6	5	W91250506	055/026978
Harness with free end*	1.5	8	7	5.8	W91250607	055/026974
Harness with free end*	1.5	8	8	6.5	W91250708	055/026979
Harness with free end*	1.5	8	9	7.2	W91250709	055/026975
Harness with free end*	1.5	8	10	8	W91250810	055/026980
Harness with free end*	1.5	8	11	8.7	W91250911	055/027034
Harness with free end*	1.5	8	12	9.4	W91250912	055/026998
Harness with free end	6	2	4	3.7	W91470404	055/027036
Harness with free end	6	2	5	4.5	W91470405	055/027037
Harness with free end	6	2	6	5.3	W91470506	055/027038
Harness with free end	6	2	7	6.1	W91470607	055/027039
Harness with free end	6	2	8	6.8	W91470708	055/027040
Harness with free end	6	2	9	7.6	W91470809	055/027041
Harness with free end	6	2	10	8.3	W91470810	055/027042
Harness with free end	6	2	11	9.1	W91470911	055/027043
Harness with free end	6	2	12	9.8	W91471012	055/027044

POINTS HEATING BLOCK SYSTEM FOR STRIP HEATING

Heating block complete with all fastenings and cover plate (aka clamplock heater block)	1.5	4	2		W91530001	055/088726
Heating block complete with all fastenings, cover plate and z-bracket	1.5	8	4		W91540001	055/027679
Heating block complete with all fastenings, cover plate and z-bracket	1.5	8	8		W91550002	055/027677
Points heating block complete with all fastenings, cover plate and z-bracket	4	8	4		W91540002	055/027676
Heating block complete with all fastenings, cover plate and z-bracket	4	8	8		W91550001	055/027678
Points heating extension lead for 2 core heater cable 0.5m long	1.5	2	-	0.5	W40200101	055/027591
Points heating spare z-bracket for 4 way blocks	-	-	-	-	W49990022	055/039619
Points heating rewirable plug kit, to suit 2 core heater cable (4 plugs per kit)	-	-	-	-	W91440001	055/051313

* Non Preferred Solution

POINTS HEATING

POINTS HEATING CABLE						
Description	Conductor CSA (mm ²)	Cores	Ways	Lead Length (m)	Prysmian Part Number	PADS Cat. Number
Points heating cable EPR/PCP	1.5	4		100	F105 81952 0	006/150002
Points heating cable EPR/PCP	1.5	8		100	F105 81953 0	006/153102
Points heating cable EPR/PCP	4	8		100	F105 81954 0	006/153103
POINTS HEATING BLOCK WITH MOULDED IN CABLE, FOR STRIP HEATING						
Points heating block moulded in cable	1.5	8	4	3	4WB-1.5-03	-
Points heating block moulded in cable	1.5	8	4	7	4WB-1.5-07	-
Points heating block moulded in cable	1.5	8	4	8	4WB-1.5-08	-
Points heating block moulded in cable	1.5	8	4	10	4WB-1.5-10	-
Points heating block moulded in cable	1.5	8	4	12	4WB-1.5-12	-
Points heating block moulded in cable	1.5	8	4	17	4WB-1.5-17	-
Points heating block moulded in cable	1.5	8	4	22	4WB-1.5-22	-
Points heating block moulded in cable	1.5	8	4	27	4WB-1.5-27	-
Points heating block moulded in cable	1.5	8	4	32	4WB-1.5-32	-
Points heating block moulded in cable	1.5	8	4	55	4WB-1.5-55	-
Points heating block moulded in cable	4	8	4	7	4WB-4.0-07	-
Points heating block moulded in cable	4	8	4	12	4WB-4.0-12	-
Points heating block moulded in cable	4	8	4	17	4WB-4.0-17	-
Points heating block moulded in cable	4	8	4	22	4WB-4.0-22	-
Points heating block moulded in cable	4	8	4	27	4WB-4.0-27	-
Points heating block moulded in cable	4	8	4	32	4WB-4.0-32	-
Points heating block moulded in cable	4	8	4	37	4WB-4.0-37	-
Points heating block moulded in cable	4	8	4	42	4WB-4.0-42	-
Points heating block moulded in cable	4	8	4	47	4WB-4.0-47	-
Points heating block moulded in cable	1.5	8	8	7	8WB-1.5-07	-
Points heating block moulded in cable	1.5	8	8	10	8WB-1.5-10	-
Points heating block moulded in cable	1.5	8	8	12	8WB-1.5-12	-
Points heating block moulded in cable	1.5	8	8	17	8WB-1.5-17	-
Points heating block moulded in cable	1.5	8	8	22	8WB-1.5-22	-
Points heating block moulded in cable	1.5	8	8	27	8WB-1.5-27	-
Points heating block moulded in cable	1.5	8	8	32	8WB-1.5-32	-
Points heating block moulded in cable	4	8	8	7	8WB-4.0-07	-
Points heating block moulded in cable	4	8	8	12	8WB-4.0-12	-
Points heating block moulded in cable	4	8	8	17	8WB-4.0-17	-
Points heating block moulded in cable	4	8	8	22	8WB-4.0-22	-
Points heating block moulded in cable	4	8	8	27	8WB-4.0-27	-
Points heating block moulded in cable	4	8	8	32	8WB-4.0-32	-
Points heating block moulded in cable	4	8	8	37	8WB-4.0-37	-
Points heating block moulded in cable	4	8	8	45	8WB-4.0-45	-
Points heating block moulded in cable	4	8	8	55	8WB-4.0-55	-

POINTS HEATING

OHL Electrification

Applications

A range of full tension and non tension splices for main line jointing of hard drawn copper, AWAC and aluminium conductors. Jumper terminals and tapping connection devices are also supplied for these conductors.

Technical Data

OVERHEAD CONDUCTOR SPLICES (CU & AL)						
Description	Material	Conductor	Old Cat No.	Prysmian Part No.	PADS Cat. No.	Die set
Tension Splice	Cu	7/0.143" HDC	SF71C	U1060001	091/000736	U552
Tension Splice	Cu	7/0.104" HDC	SF4C	UYDS2C5	091/000737	U163
Tension Splice	Cu	7/0.128" HDC	SF7C	UYDS258	091/000568	U166
Tension Splice	Cu	7/0.166" HDC	SF8C	UYDS275	091/001399	U168
Tension Splice	Cu	19/0.112" HDC	SF9C	UYDS291	091/000802	U169
Tension Splice	Cu	19/0.128" HDC or 37/0.093" HDC	SF10C	UYDS303	091/000570	U170
Tension Splice	Cu	37/0.104" or 37/2.5mm HDC	SF11C	U1055001	091/010382	U209
Tension Splice	Al	19/3.25mm Al	SF40A	U7135804	091/000738	U322
Tension Splice	Al	19/4.22mm Al	SF48A	U7135811	091/000571	U317
Tension Splice	Al	7/3.95mm AWAC	SF32R	U7578708	091/011804	U654
Non Tension splice	Cu	7/2.1mm Cu	SFN1C2	UYCS1C2	121/814/005	U204/U163
Non Tension splice	Al	19/3.25mm Al	SN40A	UYCS303A		U322
Non Tension splice	Al	19/4.22mm Al	SN48A	U7136742	006/153103	U317
TAPPING CONNECTORS						
Bimetallic Loop Rod (to Contact Wire)	Cu/Al	7/3.95mm AWAC	TLR32R	U7900201	091/011863	U654
Bimetal Pin	Cu/Al	-	TSR2110	U8651601	091/011862	-
Spill rod Assembly	Cu/Al	-	TSR2119	U7963601	091/002369	-
Bi-metallic Spill rod Assy	Cu/Al	17/7/0.711mm Cu	TSR1008	U7900101	091/011902	-
Aluminium CEETAP	Al	19/3.25mm Al	TCU5A	UYPC33R33R	091/000810	U-N
TERMINALS (CU & AL)						
Jumper Terminal 2 x 12mm Stud	Cu	19/2.1mm HDC or 70mm ² HDC	L7C12D	UYCA2582B	121/151/052	U166
Jumper Terminal 16mm Stud (30° palm)	Cu	19/2.1mm HDC or 70mm ² HDC	L7C16TN30	UYCA2581TN30	121/131/002	U166
Jumper Terminal 12mm Stud	Cu	7/0.166" HDC	L8C12	UYCA275	-	U168
Jumper Terminal 16mm Stud	Cu	7/0.166" HDC	L8C16	UYCA2751	-	U168
Jumper Terminal 2 x 12mm Stud	Cu	7/0.166" HDC	L8C12D	UYCA2752B	-	U168
Jumper Terminal 12mm Stud	Cu	19/3.25mm HDC	L10C12	UYCA303	121/13/3	U170
Jumper Terminal 2 x 12mm Stud	Cu	19/3.25mm HDC	L10C12D	UYCA3032B	121/131/003	U170
Jumper Terminal 12mm Stud	Al	19/3.25mm Al	L40A12	UYCA303A		U322
Jumper Terminal 16mm Stud	Al	19/3.25mm Al	L40A16	U7151505	091/010207	U322
Jumper Terminal 2 x 12mm Stud	Al	19/3.25mm Al	L40A12D	UYCA303A2B	121/130/010	U322
Bimetal Terminal 2 x 12mm Stud	Al	19/3.25mm Al	LB40A12D	U7933609	91/012211	U322
Jumper Terminal 16mm Stud	Al	19/4.22mm Al	L48A16	U7151512	121/130/005	U317
Jumper Terminal 2 x 12mm Stud	Al	19/4.22mm Al	L48A12D	U7151834	121/130/011	U317
Bimetal Terminal 2 x 12mm Stud (60° palm)	Al	19/4.22mm Al	LB48A12D30	U7686801	1/121/130/A4	U317
Jumper Terminal	Al	50mm ² Al	L20RL12H	UYCA050RL12H	91/002226	U659
Jumper Terminal	Al	50mm ² Al	L20RL8H10	U7644905	91/002227	U659
INHIBITOR COMPOUND						
Bicon X1 Inhibitor Compound 225g tubes	-	-	BX1225	U7086401	-	-
Bicon X13 Inhibitor Compound	-	-	BX 13	U4047601	054/212732	-



Catenary Insulators

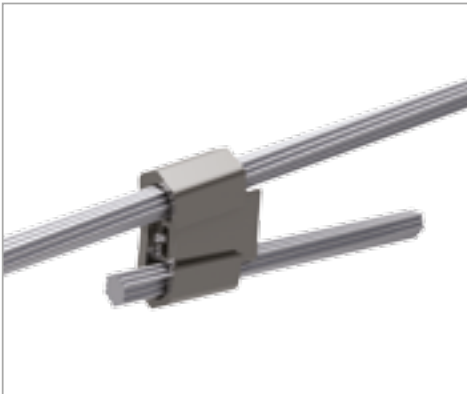
Beaded Insulators - for Section & Neutral Section Insulation.

Applications

The Insulator can be inserted directly into the conductor wire of the overhead system. The characteristics of the insulator so accurately match those of the contact wire that contact with the power collecting pantograph is maintained even at high speeds.

Technical Data

CERAMIC BEADED INSULATOR								
Description	Voltage Class	Creepage Length	End Type	Contact Wire Section	Total Length	OLE No.	Prysman Part No.	PADS Cat. Number
Ceramic Beaded Insulator	25kV	1066.8mm	Friction Welded	107mm ²	1867.5mm	121/351/001	UK7605101	091/002428
Ceramic Beaded Insulator	25kV	1854mm	Friction Welded	107mm ²	2604mm	121/351/002	UK7605105	091/002474
Ceramic Beaded Insulator	25kV	1260mm	Friction Welded	107mm ²	2010mm	121/351/003	UK7605110	091/002533
Ceramic Beaded Insulator	25kV	1260mm	Friction Welded	150mm ²	2042mm	121/351/017	UK7618201	-
Ceramic Beaded Insulator	25kV	1100mm	Friction Welded	107mm ²	1868mm	121/351/013	UK7615001	-
Ceramic Beaded Insulator	25kV	1100mm	Friction Welded	100mm ²	1880mm	-	UK7617801	-
Ceramic Beaded Insulator	25kV	1854mm	Friction Welded	100mm ²	2600mm	-	UK7617802	088/002455
Ceramic Beaded Insulator	25kV	1067mm	Clevice	-	1580mm	121/255/003	UK7605901	091/002413
Ceramic Beaded Insulator	25kV	610mm	Clevice	-	1456mm	-	UK7605902	-
Ceramic Beaded Insulator	25kV	984mm	Clevice	-	1081mm	-	UK7605903	-
Ceramic Beaded Insulator	25kV	1100mm	Clevice	-	1625mm	-	UK7605908	-
Ceramic Beaded Insulator	25kV	1200mm	Clevice	-	1714mm	-	UK7605909	-
END FITTING CLAMPS								
End fitting for High Speed Section Insulator	-	-	End Clevice	107mm ²	-	-	UK7246201	91/001985
End fitting for High Speed Section Insulator	-	-	End Clevice	100mm ²	-	-	UK7246202	-



Wedge Taps

Applications

Wedgtaps provides a successful and well-proven method of making tap connections onto both aluminium and copper overhead line conductors. Manufactured from high conductivity materials the connector uses an inner wedge that is power driven between the main and tap conductors locking them into a 'C' shaped outer body. A wiping action takes place during installation along the contact faces of the conductors effectively removing surface oxides and supplementing wire brushing. The contact grooves of the Wedgtap are lined with the Bicon® X1 inhibitor compound to enhance contact surface integrity.

Features and Benefits

The WEDGTAP connectors incorporate many features:

- Easily assembled onto conductor
- Provides visual indication of correct connector/conductor combination prior to installation.
- Disconnectable
- Maintains full tensile value of conductors
- Range Taking
- Withstands high fault currents
- Can be installed 'live line'
- Fully tested to BS3288 Pt1 & ESI 43-92 and meets the Accelerated lifetime Test Procedure (ECRC)

Materials:

- Body - Heat treated aluminium extrusion
- Insert- Aluminium die-casting

Technical Data

WEDGE TAPS						
Description	Material	Main Conductor	Tap Conductor	Weight	Prysmian Part No.	PADS Cat. Number
Aluminium Wedgtap	Al	19/4.22mm AAC	10.5mm Dia Rod	300g	WG4ALH*	091/002270
Aluminium Wedgtap	Al	19/4.22mm AAC	7/3.95mm AWAC	300g	WG4ALH*	091/002270
Aluminium Wedgtap	Al	21mm Dia Rod	7/3.95mm AWAC	300g	WG4ALH*	091/002270
Aluminium Wedgtap	Al	7/3.95mm AWAC	10.5mm Dia Rod	100g	WG2AMBR	091/002279
Aluminium Wedgtap	Al	7/3.95mm AWAC	7/3.95mm AWAC	100g	WG2AMBR	091/002279
Aluminium Wedgtap	Al	19/3.25mm AAC	21mm Dia Rod	300g	WG7AL	091/002272
Aluminium Wedgtap	Al	19/4.22mm AAC	21mm Dia Rod	300g	WG9AL	091/002271
Aluminium Wedgtap	Al	19/4.22mm AAC	19/4.22mm AAC	300g	WG9AL	091/002271

* These connectors have individual Main and Tap positions

WEDGE TAP TOOLING							
TOOLING				CARTRIDGE / BOOSTER			
Tool		Take off clip		Pysmian (Cartridge)		Burndy (Booster)	
Prysmian	Burndy	Prysmian	Burndy	Install	Remove	Install	Remove
MP100	WTRB	MPA4	WTOCBR	Yellow (WGCY)	Green (WCGC)	WG-AM types: Blue(WPBBN)	Red (WPBRN)
MP200	WTY	MPA1	WTOCY	Yellow (WGCY)	Green (WCGC)	WG-AL types: Blue(WPBBN)	Red (WPBRN)

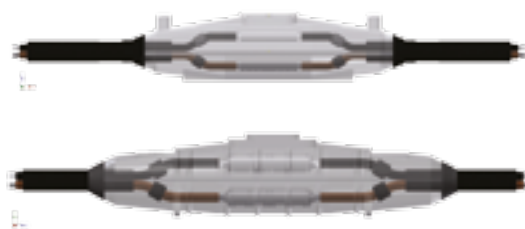
Applications

Enhanced Resin Joint Kits for Network Rail Unarmoured Signalling Power Cables.

- For Network Rail Signalling Power Distribution Cable Certificate Ref: PA05/06494- Issue 1 31/01/2016
- For use with aluminium and copper cables complying with Network Rail Product Specification NR/L2/ SIGELP/27408 Issue 2 06/06/2016

Features and Benefits

- Rated Voltage 1000V
- Straight joints for cables with aluminium conductors from 16mm² to 185mm²
- Bimetallic reducing joints for transition from aluminium to copper conductors (see table overleaf)
- Tested and approved to BS EN 61239-1: 2005 & BS EN 50393: 2015 (Rigid Type LL Joint).
- Slim-line design for use with compression connectors
- Uses low hazard isocyanate free JEM resin
- JEM has extremely low viscosity combined with enhanced adhesion
- JEM is contained in clear twin pack pouches for easy mixing
- Installation temperature -20°C to +40°C



Technical Data

ALUMINIUM SPLICE JOINTS						
Description	Cable Size	Cores	Cable Profile/ Type	Shell Type	Prysmian Part No.	PADS Cat. Number
Aluminium Splice Joint	16 mm ²	2	Circular/ SAC	J4	RPJ016A2SR	054/212676
Aluminium Splice Joint	25 mm ²	2	Circular/ SAC	J4	RPJ025A2SR	054/212677
Aluminium Splice Joint	35 mm ²	2	Circular/ SAC	J4	RPJ035A2SR	054/212678
Aluminium Splice Joint	25 mm ²	2	Sector/SAC	J4	RPJ025A2SR	054/212679
Aluminium Splice Joint	35 mm ²	2	Sector/SAC	J4	RPJ035A2SS	054/212680
Aluminium Splice Joint	50 mm ²	2	Sector/SAC	J4	RPJ050A2S	054/212681
Aluminium Splice Joint	70 mm ²	2	Sector/SAC	J4	RPJ070A2S	054/212682
Aluminium Splice Joint	95 mm ²	2	Sector/SAC	J5	RPJ095A2S	054/212683
Aluminium Splice Joint	120 mm ²	2	Sector/SAC	J5	RPJ120A2S	054/212684
Aluminium Splice Joint	150 mm ²	2	Sector/SAC	J5	RPJ150A2S	054/212685
Aluminium Splice Joint	185 mm ²	2	Sector/SAC	J5	RPJ185A2S	054/212686
Aluminium Splice Joint	120 mm ²	2	Sector/Stranded Al	J5	RPJ120A2F	054/212687
Aluminium Splice Joint	150 mm ²	2	Sector/Stranded Al	J5	RPJ150A2F	054/212688
Aluminium Splice Joint	185 mm ²	2	Sector/Stranded Al	J5	RPJ158A2F	054/212689

BIMETAL REDUCING JOINTS - ALUMINIUM TO COPPER						
Description	Cable Size AL-Cu	Cores	Cable Profile/ Type	Shell Type	Prysmian Part No.	PADS Cat. Number
Bimetal reducing joint	70-35 mm ²	2	Sector/SAC	J4	RPJ0700352B2S	054/212690
Bimetal reducing joint	95-50 mm ²	2	Sector/SAC	J5	RPJ0950502B2S	054/212691
Bimetal reducing joint	120-50 mm ²	2	Sector/SAC	J5	RPJ1200502B2S	054/212692
Bimetal reducing joint	150-50 mm ²	2	Sector/SAC	J5	RPJ1500502B2S	054/212693
Bimetal reducing joint	185-50 mm ²	2	Sector/SAC	J5	RPJ1850502B2S	054/212694
Bimetal reducing joint	120-50 mm ²	2	Sector/Stranded Al	J5	RPJ1200502B2F	054/212695
Bimetal reducing joint	150-50 mm ²	2	Sector/Stranded Al	J5	RPJ1500502B2F	054/212696
Bimetal reducing joint	185-50 mm ²	2	Sector/Stranded Al	J5	RPJ1850502B2F	054/212697

COPPER REDUCING INSERTS			
<i>For copper conductor sizes below 50mm², use additional. Copper reducing inserts (supplied separately).</i>			
Description	Reduction Step	Prysmian Part Number	PADS Cat. Number
Copper Reducing Inserts (pack of 10)	50-10 mm ²	RPJ0SR5010C	054/212698
Copper Reducing Inserts (pack of 10)	50-16 mm ²	RPJ0SR5016C	054/212699
Copper Reducing Inserts (pack of 10)	50-25 mm ²	RPJ0SR5025C	054/212700
Copper Reducing Inserts (pack of 10)	50-35 mm ²	RPJ0SR5035C	054/212701

Bicon® Railway cable accessories

DISCLAIMER: Whilst Prysmian Group has made every effort to ensure the information and guidance in this catalogue is correct, all parties should use their own skill and judgement when using it. The Prysmian Group do not accept any liability to anyone for any damage or loss which may have been caused by an omission from, or error to this catalogue, whether the omission or error was the result of negligence or any other cause. The information given may change without notice.

Prysmian Cables & Systems Ltd, Wrexham Industrial Estate, Oak Road, Wrexham, LL13 9PH, United Kingdom

For further information please contact: Sales Hotline: 0845 767 8345

International Sales Office: +44 2380 295481 Draka UK Office: +44 01332 345431

www.biconcomponents.co.uk

Prysmian
Group

Doc ref: RAILWAY 04/17-01



All Enquiries: tel: +44 (0)1744 762 929 | email: sales@etechcomponents.com | web: www.etechcomponents.com