

Separable connectors & bushings - Interface C

400AR-4BC - Interface C - Equipment bushing

Contact
Sales EUROMOLD
sales.euromold@nexans.com

Nexans Ref.: 400AR-4BC

Up to 24 kV - 1250 A
EUROMOLD Equipment bushing

DESCRIPTION

Application

For use in equipment insulated with air, typically for switchgear, capacitors, motors...

Technical characteristics

Each bushing is tested for AC withstand and partial discharge prior to leaving the factory.



STANDARDS

International
CENELEC HD 629.1;
IEC 60099-4

CHARACTERISTICS

Construction characteristics

Connector shape	Bushing
Connector type	Male
Conductor material	Copper or Aluminum
Technology	Cast resin

Dimensional characteristics

Conductor cross-section, range	35 - 1200 mm ²
--------------------------------	---------------------------

Electrical characteristics

Rated Voltage U _o /U (U _m)	12 / 20 (24) kV
Maximal partial discharge at 2U _o	10 pC
Dielectric withstand voltage, 50Hz 1mn	55 kV
Impulse voltage	125 kV

Usage characteristics

Interface	C (630 - 1250A)
-----------	-----------------



Connector shape
Bushing



Rated Voltage U_o/U (U_m)
12 / 20 (24) kV



Interface
C (630 - 1250A)

All drawings, designs, specifications, plans and particulars of weights, size and dimensions contained in the technical or commercial documentation of Nexans is indicative only and shall not be binding on Nexans or be treated as constituting a representation on the part of Nexans.

Generated 3/7/23 www.nexans.be Page 1 / 2

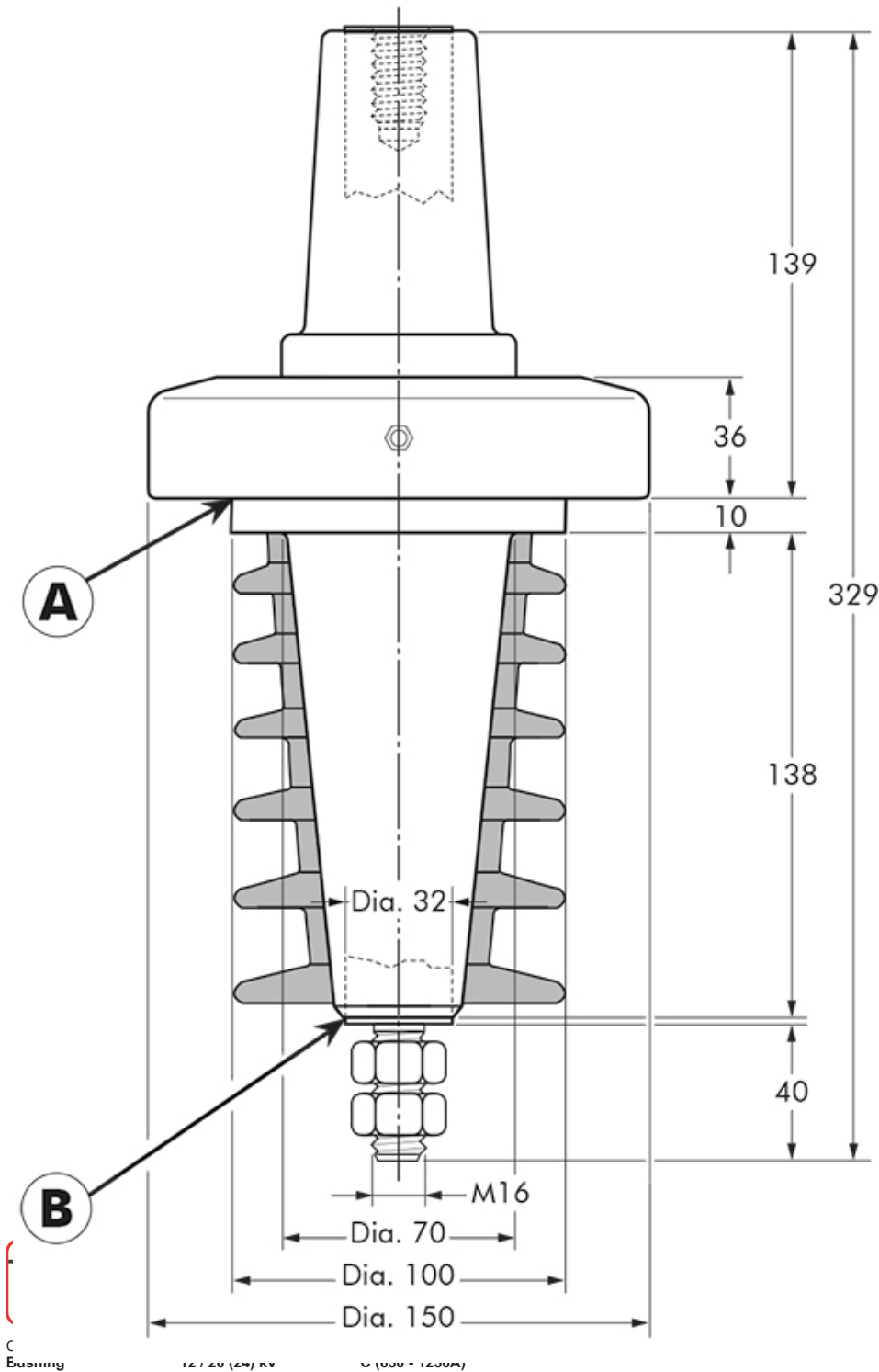


Separable connectors & bushings - Interface C

400AR-4BC - Interface C - Equipment bushing

Contact
Sales EUROMOLD
sales.euromold@nexans.com

DESIGN



All drawings, designs, specifications, plans and particulars of weights, size and dimensions contained in the technical or commercial documentation of Nexans is indicative only and shall not be binding on Nexans or be treated as constituting a representation on the part of Nexans.

Generated 3/7/23 www.nexans.be Page 2 / 2

Nexans