



# UNITRUNK

## SECTION 08: FLOOR TRUNKING SYSTEMS



Unitrunk's Floor Trunking systems have been designed to cater for a wide range of applications and cable management. Manufactured to BS EN 50085. The range includes the following systems:

### Easy-Way Flush Floor Trunking Systems

Designed to offer versatility within the trunking layout giving the end user final option as to the position of the service boxes. The Easy-Way system also permits the relocation or addition of the service outlets after completion of the installation. Tested in accordance with BS 6399.



### Under Floor (in screed) Trunking Systems

Completely buried in screed, underfloor trunking is used for applications that require access through inspection boxes or service outlets for discrete cable management.



### Cavity Floor Trunking Systems

Simple and easy to install, offering efficient cable management with excellent flexibility and providing ease of access to telephone, data and power outlets.



ACCREDITED TO THE FOLLOWING STANDARDS:



# EASY-WAY FLUSH FLOOR TRUNKING SYSTEMS

# 08



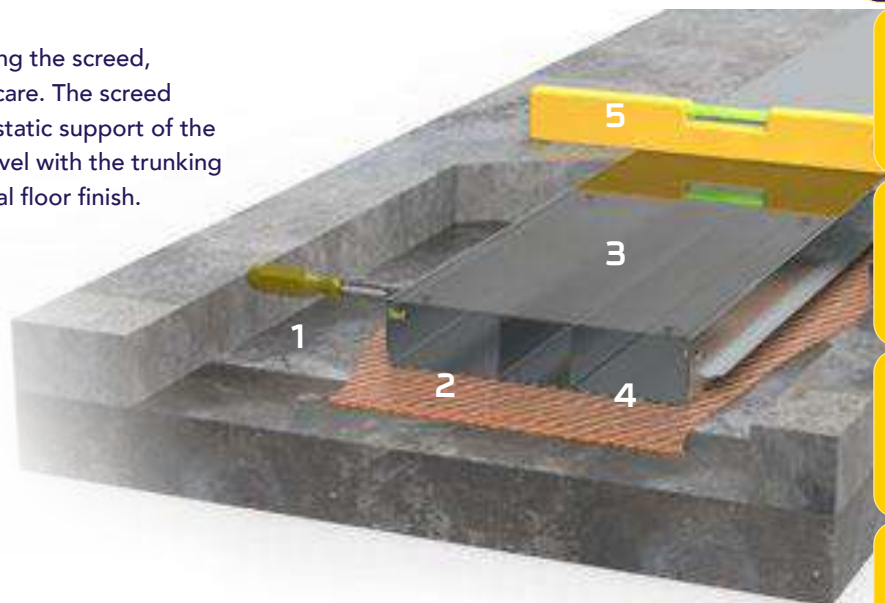
## Easy-Way Flush Floor Trunking

Designed to offer versatility within the trunking layout, giving the end user the final option to amend the position of the service outlets.

The Easy-Way system also permits the relocation or addition of service outlets after the initial installation is complete.

**INSTALLATIONS** - Easy-Way flush floor trunking is 65mm high trunking. It can be installed into new builds and existing installations. Here are some installation tips and best practices that should be considered when planning and installing Easy-Way trunking products:

- 1. Allow access (Existing installations only)** - A level opening for the trunking should be cut in the screed which allows access for tooling.
- 2. Solid Foundation** - The trunking should be laid on a supporting screed ribbon or a support grout approved by an architect or consultant.
- 3. Lid Support** - The galvanised lids and service outlet boxes should be in position when the screed is poured, otherwise the pressure may distort the trunking sidewalls.
- 4. No Voids** - After final levelling of the trunking and before coupling together, the screed or grout bedding should be fully packed under trunking to eliminate any voids, which could result in soft spots of the trunking assembly.
- 5. Compact & Level** - When applying the screed, the screed layer must be installed with care. The screed should be compacted to provide good static support of the trunking system. Ensure the screed is level with the trunking lid to prevent line shadowing on any final floor finish.



**PLEASE NOTE:**

These diagrams are for guidance only. Unitrunk accepts no responsibility for any aspect of product installation.

## EASY-WAY FLUSH FLOOR TRUNKING SYSTEMS

### Easy-Way Flush Floor Trunking

Supplied in two standard widths, 310mm wide or 366mm wide. Each 2.4m length comes with four lids to accommodate service outlets. Turnbuckle lid fixings and removable dividers offer the end user greater flexibility when positioning services.

### Easy-Way Service Outlet

Installed in the trunking length, functioning as the support housing adapter for either service outlet lids or Inspection lids.

### Floor System Outlet Lids

Accessed from finished floor. These lids are compatible across all floor systems trunking supplied as either service or inspection. Lids are supplied in two widths which should be ordered to match your application.

### Service Outlet Plates

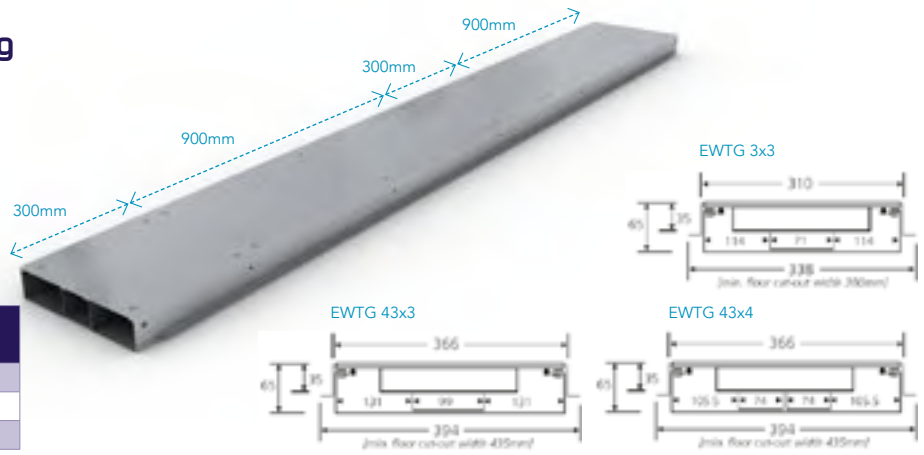
The vast range of service outlet plates act as a housing within the trunking for electrical components. They are compatible across all floor systems trunking. When ordering ensure the outlet plates match your application. (See pages 117 - 118 for outlet plates)

Part Code	Service Outlet	Service Outlet Panels	Lid
EWTG3X3	EWS03	EW755, EW756, EW759, EW763, EW764, EW767	CTI3 (Inspection lid) CTS3 (Service lid)
EWTG43X3	EWS043	EW103, EW105, EW106, EW109, EW113, EW114, EW125	CTI43 (Inspection lid) CTS43 (Service lid)
EWTG43X4		EW755, EW756, EW759, EW763, EW764, EW767	CTI43 (Inspection lid) CTS43 (Service lid)

# EASY-WAY FLUSH FLOOR TRUNKING SYSTEMS

# 08

## Easy-Way Trunking



Part Code	Description
EWTG3x3	310mm - 3 compartment
EWTG43x3	366mm - 3 compartment
EWTG43x4	366mm - 4 compartment

## Service Outlet Lid



Part Code	Description	Supplied with a 7mm recess & PVC Trim as standard. Stainless Steel Trim & deeper recesses (9mm, 15mm, 20mm, 25mm) are available to order.
CT/S3	for use with EWSO3	
CT/S43	for use with EWSO43	

## Inspection Lid



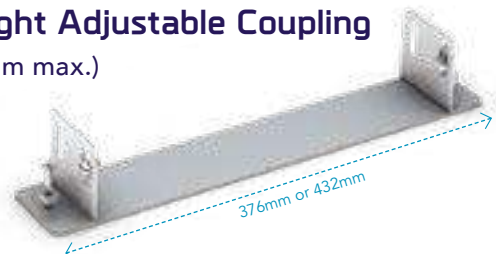
Part Code	Description	Supplied with a 7mm recess & PVC Trim as standard. Stainless Steel Trim & deeper recesses (9mm, 15mm, 20mm, 25mm) are available to order.
CT/I3	for use with EWSO3	
CT/I43	for use with EWSO43	

## Service Outlet Frame



Part Code	Description	When ordering PVC Trim: SERVICE Ref: CT/S 3 or CT/S 43 INSPECTION Ref: CT/I 3 or CT/I 43
EWSO3	310mm - 3 compartment	
EWSO43	366mm - 3 or 4 compartment	

## Height Adjustable Coupling (18mm max.)



Part Code	Description	Supplied in singles.
EWTC3	376mm	
EWTC43	432mm	

## Riser Bend



Part Code	Description
EWRB3	3 compartment
EWRB43x3	3 compartment
EWRB43x4	4 compartment

## Blank End



Part Code	Description
EWBE3	
EWBE43	

# EASY-WAY FLUSH FLOOR TRUNKING SYSTEMS

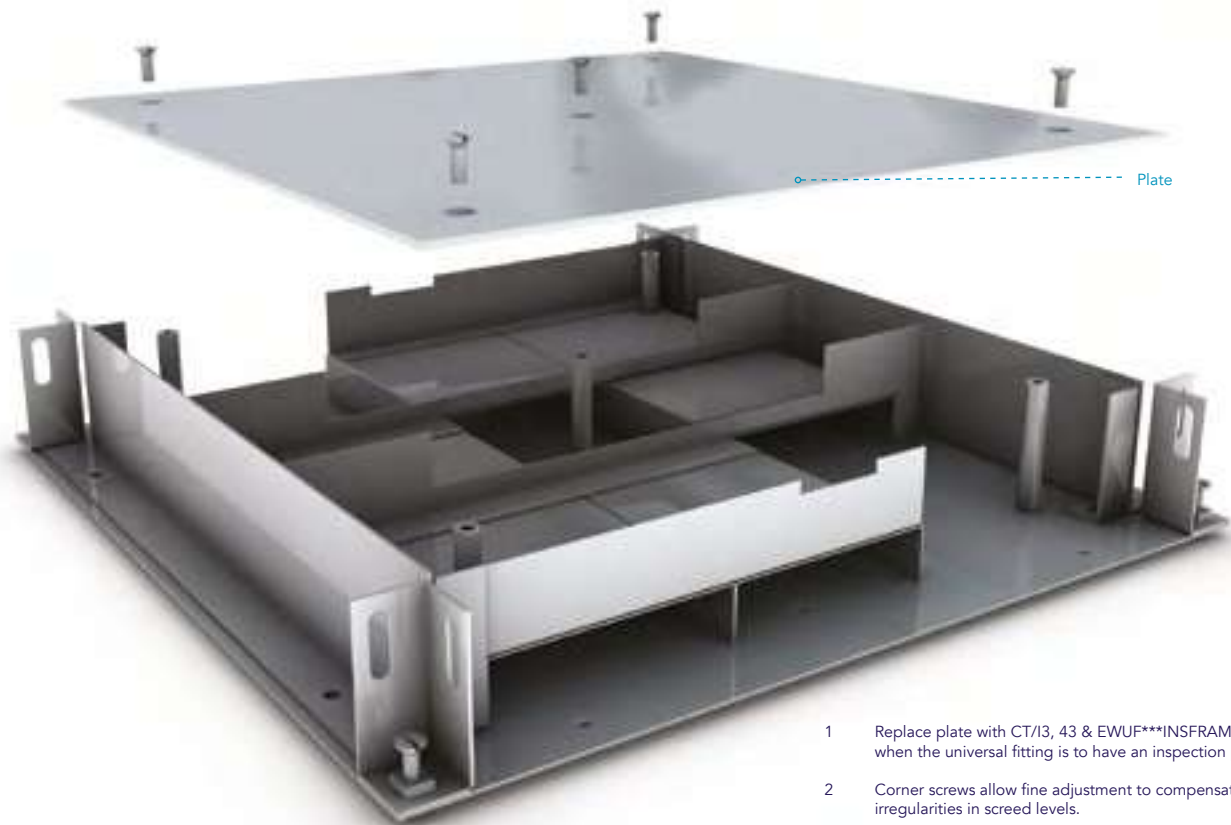
## Universal Fitting Tee/Bend/Intersection

Part Code	Description
EWUF3	393mm sq. x 65mm sq. (3 compartment)
EWUF43x3	449mm sq. x 65mm sq. (3 compartment)
EWUF43x4	449mm sq. x 65mm sq. (4 compartment)

Note: Not to be used as outlet box when used as tee/bend/intersection.



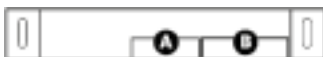
Part Code	Description
EWUF310INSFRAME	To add an Inspection lid to the universal fitting: Order: EWUF310INSFRAME - CTI3 LID OR IEWUF366INSFRAME - CT143 LID
EWUF366INSFRAME	(CTS3 shown as illustration only)



- 1 Replace plate with CT/13, 43 & EWUF\*\*\*INSFRAME when the universal fitting is to have an inspection point.
- 2 Corner screws allow fine adjustment to compensate for irregularities in screed levels.

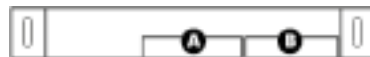
### EWUF 3 (3 compartment)

Underpasses: **A** 75 x 25mm  
**B** 93 x 25mm  
Overall width: 393mm sq. x 65



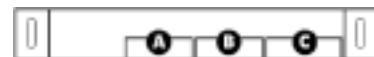
### EWUF 43 (3 compartment)

Underpasses: **A** 98 x 25mm  
**B** 109 x 25mm  
Overall width: 449mm sq. x 65



### EWUF 43 (4 compartment)

Underpasses: **A** 75.5 x 25mm  
**B** 75.5 x 25mm  
**C** 82 x 25mm  
Overall width: 449mm sq. x 65





# CAVITY FLOOR TRUNKING SYSTEMS

# 08

## Cavity Floor Trunking Systems

Unitrunk's Cavity Floor Trunking is manufactured in a variety of standard formats, it is also available as a flexible solution designed to meet the potentially complex cabling and flooring requirements of today's workplace.

The system can be designed and manufactured to suit a wide range of Power, Data and Communications cabling systems. Additionally, the Cavity Floor Outlet Box can be supplied with lids to accommodate a wide variety of flooring finishes from standard carpet tiles through to marble, specialised ceramics and architecturally designed solid wood flooring options.

## System Accessories & Service Outlets

To meet the demands of a rapidly growing market, Unitrunk produces a widely variable package which can be manufactured to fulfil the needs of the most intricate office technology and floor plans.

Our cavity floor trunking is simple and easy to install, offering efficient cable management with excellent flexibility and providing ease of access to telephone, data and power outlets.

## Cavity Floor Trunking Systems Ref. CFTK

Manufactured in 3m lengths, each length is supplied complete with lid, connectors, screws and nuts. Lids are held in position by a slotted stud - the stud indicates the position of the locking bar.

Standard size 225 x 50(mm) x 3 compartment. Other sizes of trunking may be used provided consideration is given to cable capacity for the size selected.



Part Code	Description
CFTOB	Box height 40mm

Part Code	Description
TK	Available in 3m lengths. Please see Trunking section pg 26 for more info.

## CAVITY FLOOR TRUNKING SYSTEMS

### 43 Series

Unitrunk's 43 Series cavity floor service box is manufactured for use with a wide variety of service outlet panels. The cavity floor box can also be used as an in-screed option with conduit.

#### Base Box

Untrunk's Base box is manufactured from galvanised steel and available in 1, 2, 3 or 4 compartment configuration (same external dimension). Each compartment has 20mm and 25mm knock-outs in each long side to accept flexible conduits. These entries can be replaced with rubber grommets to allow cable access. Dividing fillets are provided to separate services. The base box is supplied complete with a wide range of interchangeable accessory panels that can be supplied with or without respective accessories. The base box is suitable for mounting in a 335mm x 220mm hole cut into any access floor panel with two fixing holes in each long side, or side fixing plates on short sides of box can be screw fixed to bottom of floor tile.

#### Recessed Lid/Trim Assembly

The hinged recessed lid is manufactured from 2.5mm galvanised steel and finished in grey epoxy coating to match the polypropylene carpet trim. The lid is fitted with a polypropylene insert which houses cable outlets and a lifting handle. The lid pivots to an angle of 80°. The carpet trim is manufactured from polypropylene and finished grey in colour and supported with a galvanised steel frame. The recessed lid assembly is fixed to the base box by two 5mm screws which are located at each side of the frame. All parts of the lid assembly are replaceable.

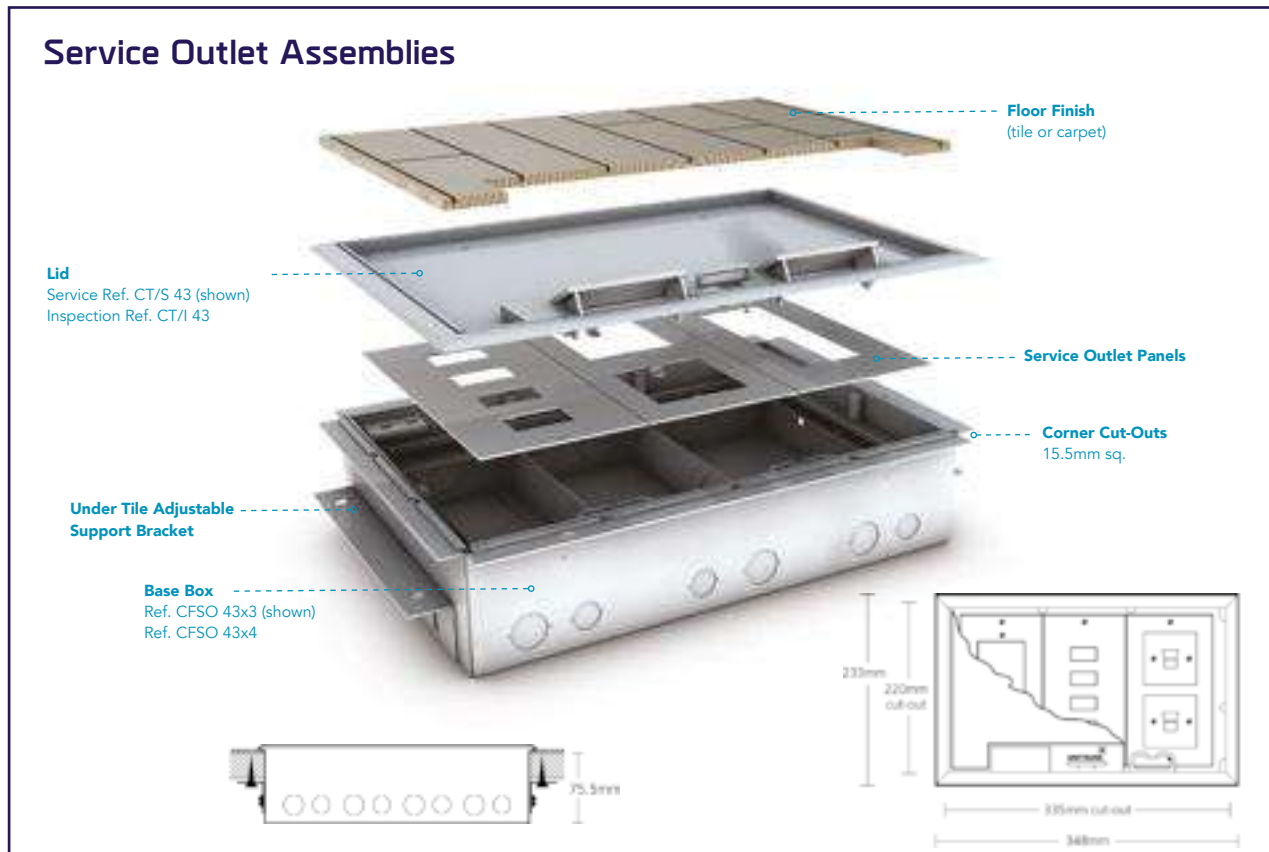
#### Technical Information

Floor finish recess in lid: 7mm (9mm, 15mm, 20mm, 25mm available to order)

Assembled box depth: 75.5mm

Space under outlet panels: 40mm

(Variations of Cavity Floor Box depth can be supplied to order)



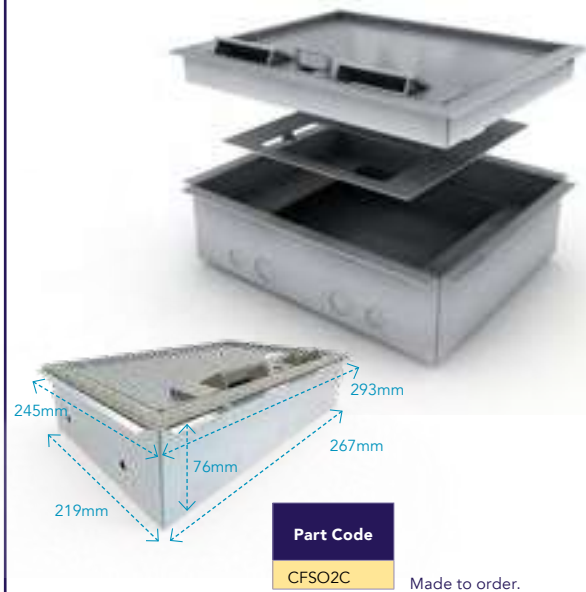
# CAVITY FLOOR TRUNKING SYSTEMS

# 08

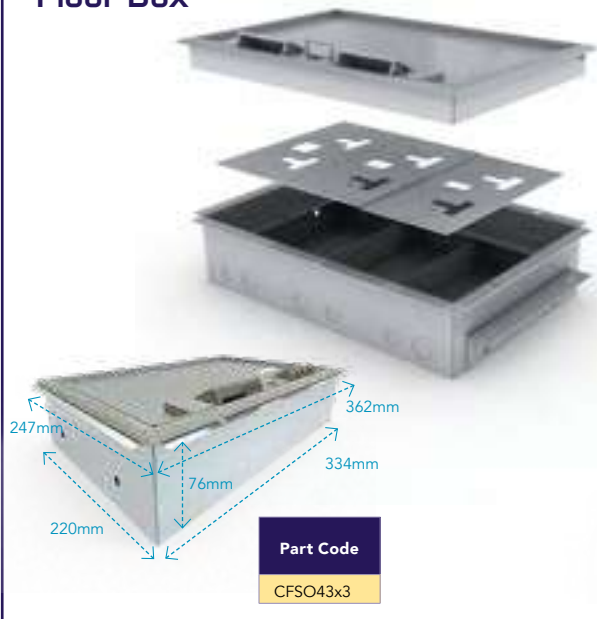
## Single Compartment Cavity Floor Box



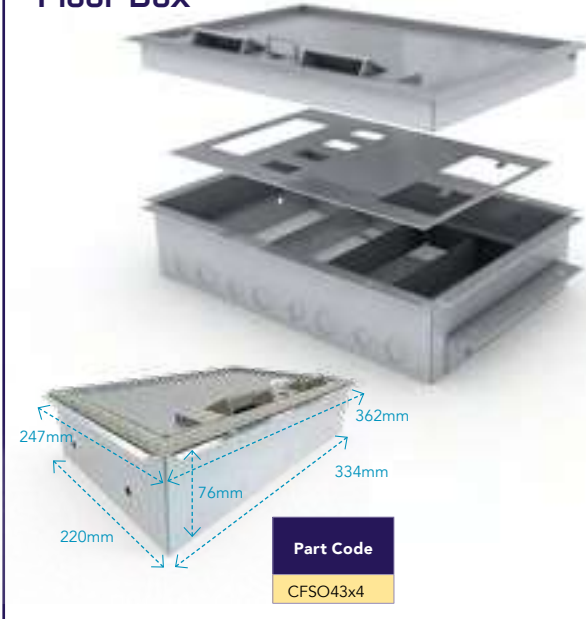
## Two Compartment Cavity Floor Box



## Three Compartment Cavity Floor Box



## Four Compartment Cavity Floor Box



Part Code	Compartment	Service Outlet Plates	Lid
CFS01C	1	EW103, EW105, EW106, EW109, EW113, EW114, EW125, EW166	Service Lid included with box
CFS02C	2	EW103, EW105, EW106, EW109, EW113, EW114, EW125, EW166	CTS3 (Service Lid) or CTI3 (Inspection Lid)
CFS043x3	3	EW103, EW105, EW106, EW109, EW113, EW114, EW125, EW166	CTS43 (Service Lid) or CTI43 (Inspection Lid)
CFS043x4	4	EW755, EW756, EW759, EW763, EW764, EW766, EW767	CTS43 (Service Lid) or CTI43 (Inspection Lid)

QuickFix Trunking

QuickFix Multi Compartment Trunking

Lighting Trunking

Uniklip Cable Tray

Speedway Cable Ladder Pre-Galv. Cable Ladder

Cable Basket Systems

Channel &amp; Support

Floor Trunking

Bench Outlet &amp; Perimeter Trunking

Steel Conduit (Class 4)

Innovative Design Solutions

Accessories &amp; Supports

Index



## CAVITY FLOOR TRUNKING SYSTEMS

### Cavity Floor Trunking



Part Code

TK

Available in 3m lengths.  
Standard size - 3 compartments  
225mm x 38mm.

### Gusset Bend



Part Code

GTB

### Riser Bend



Part Code

GIB

Overall height 82mm.

### Four Way Intersection



Part Code

ITB

### Gusset Tee



Part Code

GTT

### Tap-off Box



Part Code

CFTB

Overall height 40mm.

### Tap-off Lid



Part Code

CFTL

Alternative to Tap-off Box  
Knock-outs (20mm) in each  
compartment.

### Trunking Coupling



Part Code

TC

### Blank End



Part Code

BE

# FLOOR SYSTEMS SERVICE PLATES

# 08

## Service Outlet Plates

Can be used across a wide range of trunking floor systems. Plates are manufactured as EW7 series (75mm wide) and EW1 series (100mm wide).

Please refer to the product tables for Cavity Floor service outlet, Easy-Way & Underfloor universal fittings to ensure compatibility with your desired product.

\*\*Sockets and RJ45s are available on request.

### EW7 Series Service Outlet Plates (75mm x 195mm)



**Part Code**  
EW755

Plate to accept 2xLJ2 single telephone outlets (UK only, 50mm centres). Does not accept standard surface mount accessories.



**Part Code**  
EW756

Blank plate.



**Part Code**  
EW759

Plate to accept 4 x LJ6/RJ45 snap in connectors cut out size 36.70 x 22.50.



**Part Code**  
EW763

Plate to accept 1 twin switched MK2532 WHI panel socket 13A side wired.



**Part Code**  
MK2532\*\*

For use with EW763 & EW113, side wired.



**Part Code**  
EW766

Wave Plate to accept 4 x LJ6/RJ45 snap in connectors cut out size 36.70 x 22.50.



**Part Code**  
EW764

Plate to accept 1 twin switched plate socket 13A rear wired for use in cavity floor box only ref. Volex MC1500DE.



**Part Code**  
MC1500DE

For use with EW764 & EW114, Twin Earth.



**Part Code**  
EW777

50mm x 50mm Cut-outs. Item is supplied with EURO-COLLAR-VV as shown.

QuickFix Trunking

QuickFix Multi Compartment Trunking

Lighting Trunking

Uniklip Cable Tray

Speedway Cable Ladder Pre-Galv. Cable Ladder

Cable Basket Systems

Channel & Support

Floor Trunking

Bench Outlet & Perimeter Trunking

Steel Conduit (Class 4)

Innovative Design Solutions

Accessories & Supports

Index

## FLOOR SYSTEMS SERVICE PLATES

### EW1 Series Service Outlet Plates (100mm x 195mm)

 <p><b>Part Code</b> EW103</p> <p>Plate to accept 3 single unswitched panel sockets 13A side wired e.g. Crabtree 7259 or MK735.</p>	 <p><b>Part Code</b> EW105</p> <p>Plate to accept 2xLJ3, 2xLJ4, 2xLJ5 single telephone outlets (UK only).</p>	 <p><b>Part Code</b> EW106</p> <p>Blank plate.</p>
 <p><b>Part Code</b> EW109</p> <p>Plate to accept 4 x LJ6/RJ45 snap in connectors cut out size 36.70 x 22.50.</p>	 <p><b>Part Code</b> EW113</p> <p>Plate to accept 1 twin switched MK2532 WHI panel socket 13A side wired.</p>	 <p><b>Part Code</b> MK2532**</p> <p>For use with EW763 &amp; EW113, side wired.</p>
 <p><b>Part Code</b> EW114</p> <p>Plate to accept 1 twin switched plate socket 13A rear wired for use in cavity floor box only ref. Volex MC1500DE.</p>	 <p><b>Part Code</b> MC1500DE</p> <p>For use with EW764 &amp; EW114, Twin Earth.</p>	 <p><b>Part Code</b> EW125</p> <p>Plate to accept a standard twin socket. To suit 2G outlet.</p>
 <p><b>Part Code</b> EW166</p> <p>Wave Plate to accept 4 x LJ6/RJ45 snap in connectors cut out size 36.70 x 22.50.</p>	 <p><b>Part Code</b> EW177</p> <p>50mm x 50mm cut-outs. Item is supplied with EURO-COLLAR-VV as shown.</p>	

Part Code		755	756	759	763	764	766	777	103	105	106	109	113	114	125	166	177
Easy-Way	EWSO3	✓	✓	✓	✓	✓	✗	✓	✗	✗	✗	✗	✗	✗	✗	✗	✗
	EWSO43 (when using 3 compartments)	✗	✗	✗	✗	✗	✓	✓	✓	✓	✓	✓	✓	✓	✓	✗	✓
	EWSO43 (when using 3 compartments)	✓	✓	✓	✓	✓	✗	✓	✗	✗	✗	✗	✗	✗	✗	✗	✗
Cavity Floor	CFSO1C	✗	✗	✗	✗	✗	✗	✗	✓	✓	✓	✓	✓	✓	✓	✓	✓
	CFSO2C	✗	✗	✗	✗	✗	✗	✗	✓	✓	✓	✓	✓	✓	✓	✓	✓
	CFSO43x3	✗	✗	✗	✗	✗	✗	✗	✓	✓	✓	✓	✓	✓	✓	✓	✓
	CFSO43x4	✓	✓	✓	✓	✓	✓	✓	✗	✗	✗	✗	✗	✗	✗	✗	✗
Under Floor	UFUF9	✓	✓	✓	✓	✓	✓	✓	✗	✗	✗	✗	✗	✗	✗	✗	✗
	UFUF12 (when using 3 compartments)	✗	✓	✗	✗	✗	✗	✗	✓	✓	✓	✓	✓	✓	✓	✓	✓
	UFUF12 (when using 4 compartments)	✓	✗	✓	✓	✓	✓	✓	✗	✗	✗	✗	✗	✗	✗	✗	✗

# UNDERFLOOR (IN SCREED) TRUNKING SYSTEMS

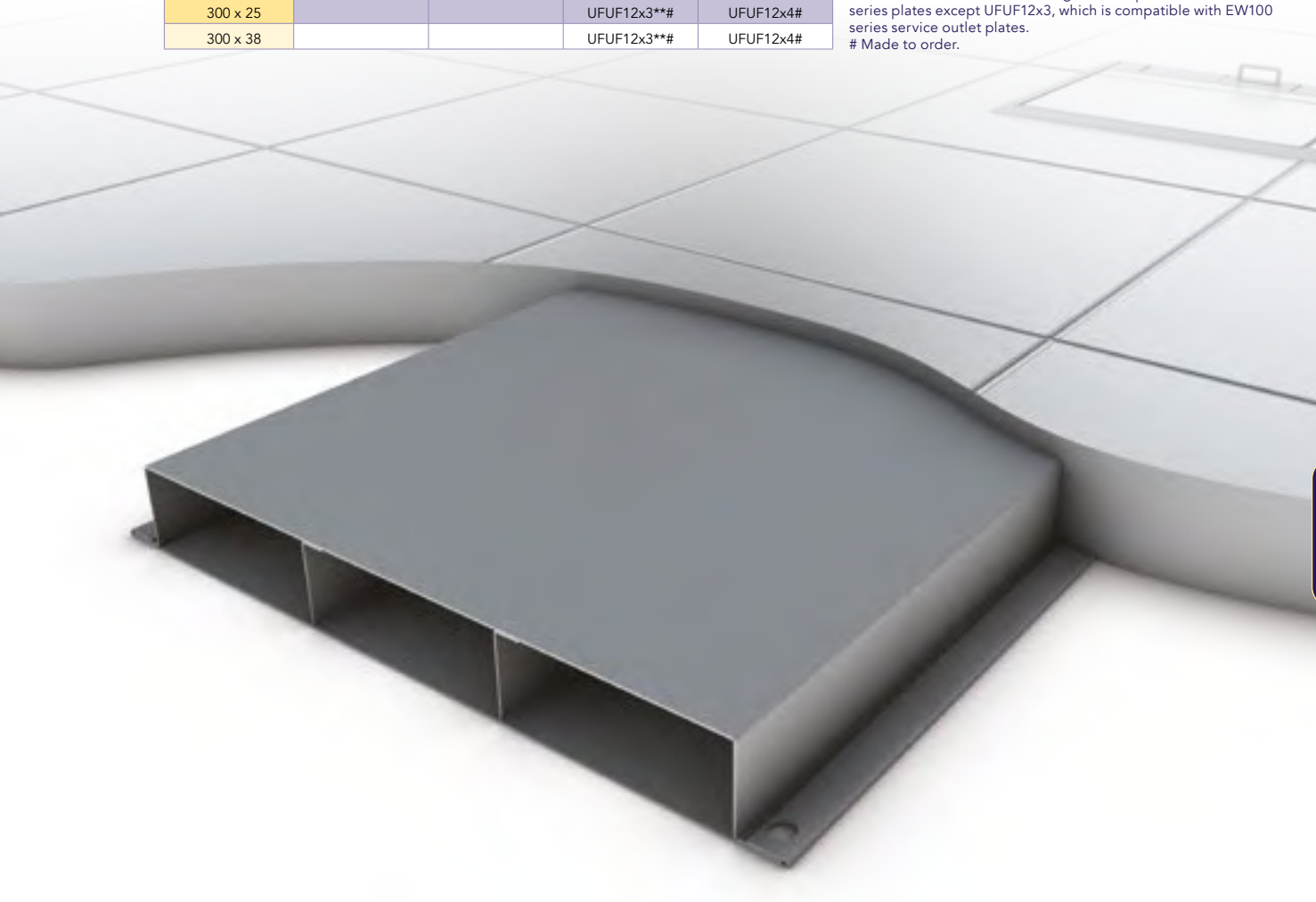
# 08

## SYSTEM ACCESSORIES & SERVICE OUTLETS

Part Code	Description
UFUF6x2	Universal Fitting to Suit 150mm Wide Underfloor Trunking, Two Compartment
UFUF9x2	Universal Fitting to Suit 225mm Wide Underfloor Trunking, Two Compartment
UFUF9x3	Universal Fitting to Suit 225mm Wide Underfloor Trunking, Three Compartment
UFUF12x3	Universal Fitting to Suit 300mm Wide Underfloor Trunking, Three Compartment
UFUF12x4	Universal Fitting to Suit 300mm Wide Underfloor Trunking, Four Compartment

Sizes (width x depth) mm	*Single Compartment Ref. UF1	*Two Compartment Ref. UF2	Three Compartment Ref. UF3	*Four Compartment Ref. UF4
150 x 25	UFUF6x2*#	UFUF6x2#		
150 x 38	UFUF6x2*#	UFUF6x2#		
225 x 25		UFUF9x2#	UFUF9x3	
225 x 38		UFUF9x2#	UFUF9x3	
300 x 25			UFUF12x3**#	UFUF12x4#
300 x 38			UFUF12x3**#	UFUF12x4#

\*UFUF6x2 discard the underpass assembly, which is screw-fixed.  
 \*\* All Underfloor Universal Fittings are compatible with EW7 series plates except UFUF12x3, which is compatible with EW100 series service outlet plates.  
 # Made to order.



### Compartment Dimensions



- QuickFix Trunking
- QuickFix Multi Compartment Trunking
- Lighting Trunking
- Uniklip Cable Tray
- Speedway Cable Ladder Pre-Galv. Cable Ladder
- Cable Basket Systems
- Channel & Support
- Floor Trunking
- Bench Outlet & Perimeter Trunking
- Steel Conduit (Class 4)
- Innovative Design Solutions
- Accessories & Supports
- Index

## UNDERFLOOR (IN SCREED) TRUNKING SYSTEMS

### Underfloor Trunking

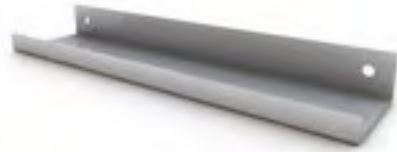


Part Code

UF

Supplied in 3m lengths.

### Underfloor Blank End



Part Code

UFBE

For use with UFUF69.

### Underfloor Coupling



Part Code

UTFC

Supplied singly, in 3m lengths.

### Flange Coupling



Part Code

UFFC

### Riser Bend



Part Code

URFB

Trunking Height	URFB Height
25mm	130mm
38mm	142mm

Depth of screed should be quoted when ordering.

### Adjustable Collar

(For Underfloor)  
Universal Fitting  
9 & 12 (see pg 122)



Height can be manufactured to suit customer requirements. Please specify screed depth and adjustable range required when ordering.

### Riser Bend (From underfloor into skirting trunking)



Part Code

UFST

Depth of screed should be quoted when ordering.

### Riser Flange



Part Code

UFRF

Depth of screed should be quoted when ordering.

### Service Outlet (PVC Trim)



Part Code

CT/S3

Description

For use with UFUF9

Supplied with a 7mm recess & PVC Trim as standard.

Stainless Steel Trim & deeper recesses (9mm, 15mm, 20mm, 25mm) are available to order.

CT/S43

For use with UFUF12

### Inspection Lid



Part Code

CT/I3

Description

For use with UFUF9

Supplied with a 7mm recess & PVC Trim as standard.

Stainless Steel Trim & deeper recesses (9mm, 15mm, 20mm, 25mm) are available to order.

CT/I43

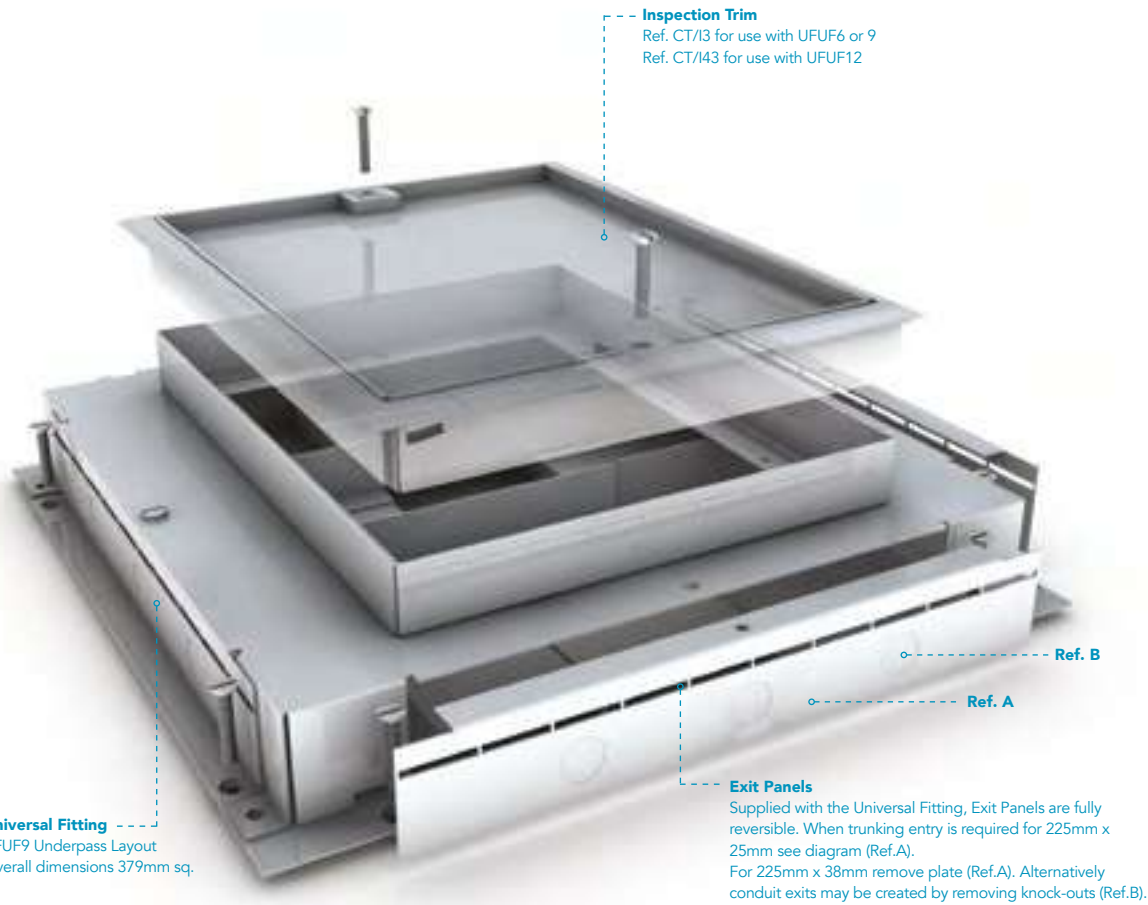
For use with UFUF12



# UNDERFLOOR (IN SCREED) TRUNKING SYSTEMS

# 08

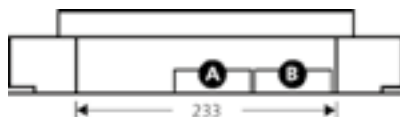
## Universal Fitting



Part Code	Description
UFUF9x3	For use with UF3 trunking
UFUF12x4	For use with UF4 Trunking Supplied with polystyrene block to prevent screed ingress.

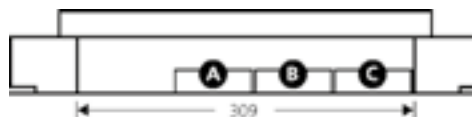
### UFUF 9 (3 compartment)

Underpasses: **A** 75 x 13mm  
**B** 75 x 13mm  
Overall width: 350mm sq.  
Overall height: 78mm (including base rivet bushes)



### UFUF 12 (4 compartment)

Underpasses: **A** 75 x 13mm  
**B** 75 x 13mm  
**C** 75 x 13mm  
Overall width: 452mm sq.  
Overall height: 78mm (including base rivet bushes)



## UNDERFLOOR (IN SCREED) TRUNKING SYSTEMS

### Underfloor Adjustable Collar

(For underfloor) Universal Fitting 9 & 12

Designed for situations where floor levels are not consistent.  
For applications with deeper screed.  
Also where a deeper void is required within the box to suit larger plug fittings.

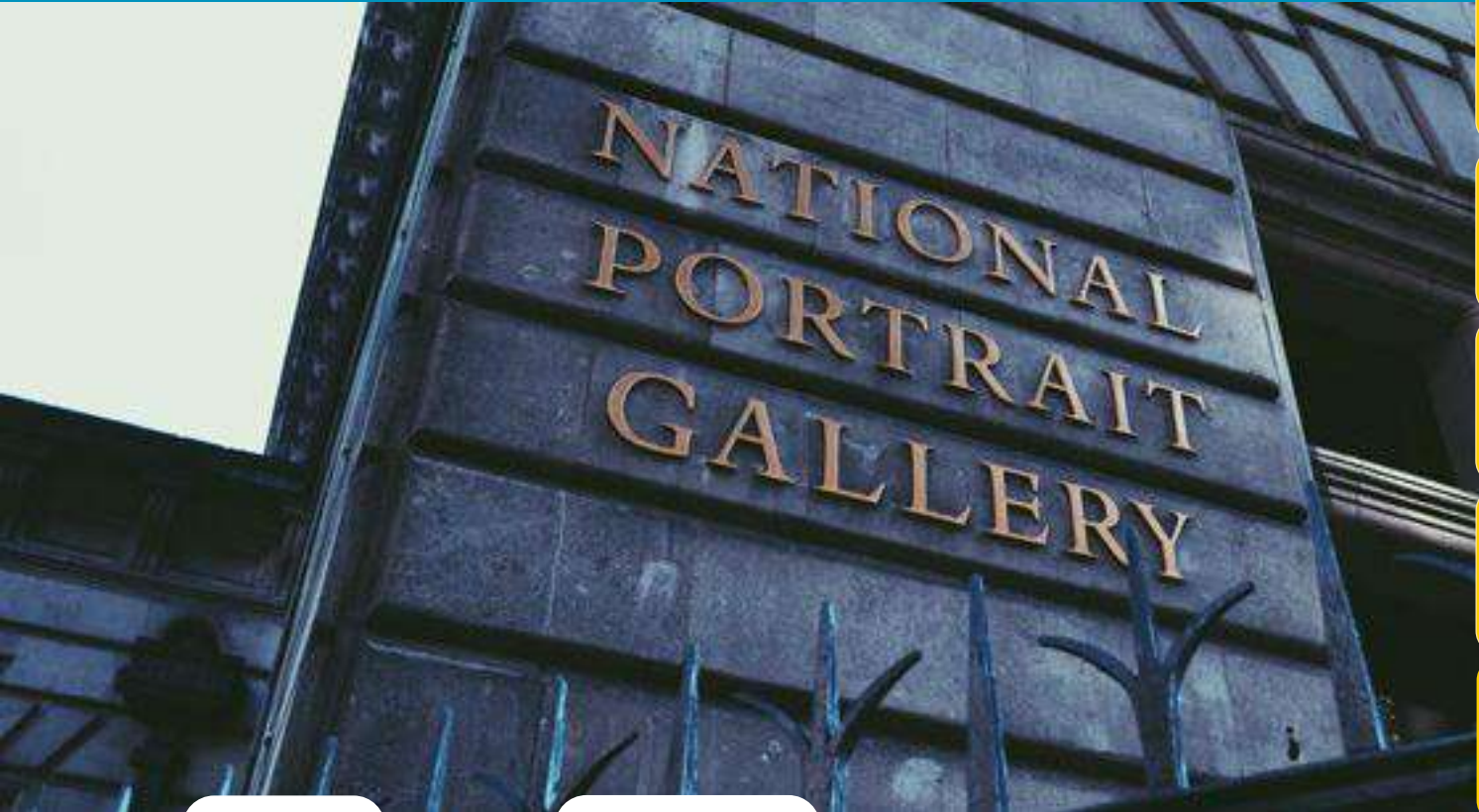


Part Code - 9 Series	Part Code - 12 Series	Screen Min. (mm)	Screed Max. (mm)
UF9ADJCOL-SCREED-92-RANGE-015	UF12ADJCOL-SCREED-92-RANGE-015	85	100
UF9ADJCOL-SCREED-100-RANGE-020	UF12ADJCOL-SCREED-100-RANGE-020	90	110
UF9ADJCOL-SCREED-112-RANGE-025	UF12ADJCOL-SCREED-112-RANGE-025	100	125
UF9ADJCOL-SCREED-135-RANGE-030	UF12ADJCOL-SCREED-135-RANGE-030	120	150
UF9ADJCOL-SCREED-155-RANGE-030	UF12ADJCOL-SCREED-155-RANGE-030	140	170
UF9ADJCOL-SCREED-175-RANGE-030	UF12ADJCOL-SCREED-175-RANGE-030	160	190
UF9ADJCOL-SCREED-200-RANGE-040	UF12ADJCOL-SCREED-200-RANGE-040	180	220
UF9ADJCOL-SCREED-220-RANGE-020	UF12ADJCOL-SCREED-220-RANGE-020	210	230



# NATIONAL PORTRAIT GALLERY, LONDON

# 08



## CLIENT



**£25.5m**

Overall cost of project

M&E Contractor:  
William Coates

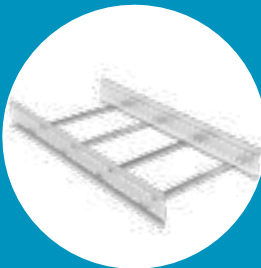
## BACKGROUND

Originally built in 1896, the Gallery's significant refurbishment includes the creation of new public spaces, visitor entrance and public forecourt, and a new state of the art Learning Centre.

*"The NPG in London is a must-see tourist stop, welcoming over 2m visitors annually. We knew every element of the project's extensive refurb had to be of the highest quality which is why we chose Unitrunk for the cable management systems. We've used their products many times in the past and are always delighted with the quality of their products and the high level of customer support they provide."*

Gary Coleman, Managing Director  
William Coates M&E Engineers

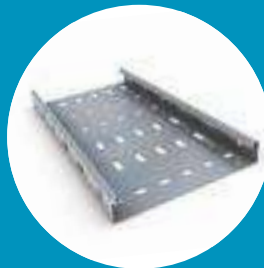
## PRODUCTS SUPPLIED



**SPEEDWAY®  
LADDER**



**UNITRUNK  
TRUNKING**



**UNIKLIP®  
TRAY**