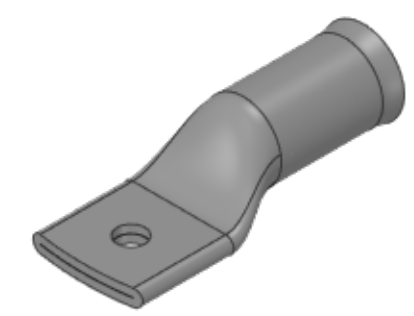
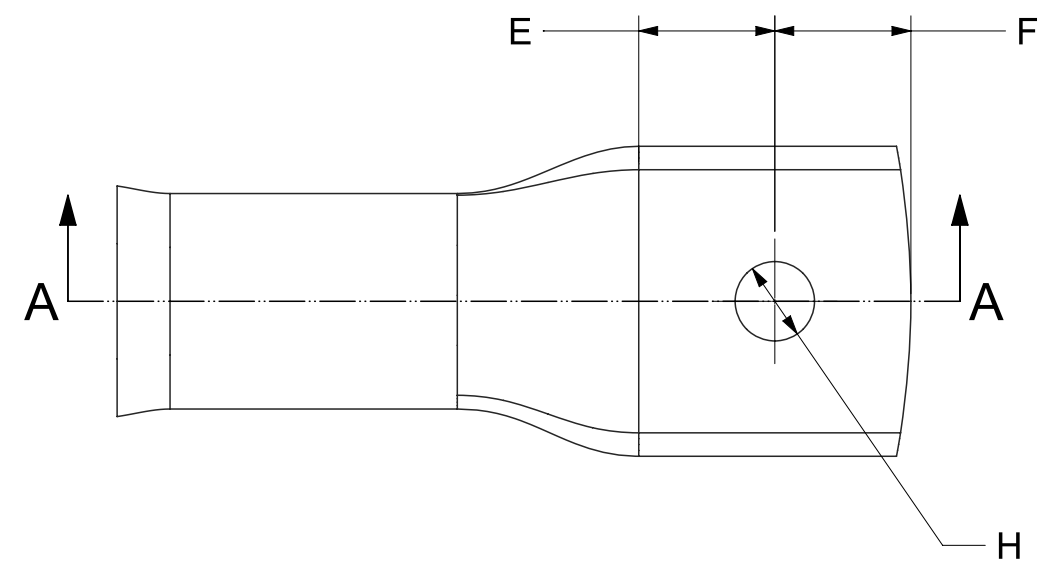
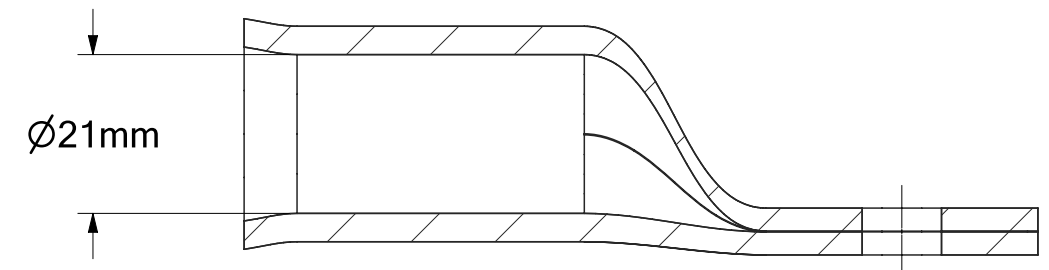


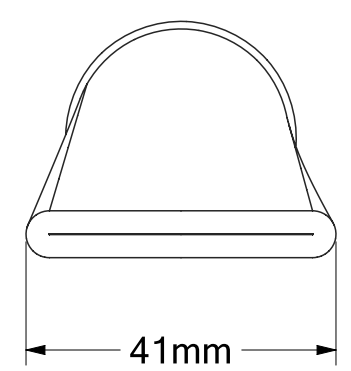
	REVISION HISTORY	
1	Original Concept	



SCALE 1:2



SECTION A-A



PART NO.	H (mm)	E (mm)	F (mm)
TCS1-240-0	0	N/A	36.0
TCS1-240-6	6.5	18.0	18.0
TCS1-240-8	8.5	18.0	18.0
TCS1-240-10	10.5	18.0	18.0
TCS1-240-12	13.0	18.0	18.0
TCS1-240-16	16.5	18.0	18.0
TCS1-240-20	20.5	18.0	18.0

UOS - LINEAR TOLERANCE PERMISSABLE DEVIATIONS FOR SIZE RANGE:  
Tolerances according to DIN ISO 2768 (V)

DIMS IN MM	0.5 to 3	>3 to 6	>6 to 30	>30 to 120	>120 to 400	>400 to 1000	>1000 to 2000	>2000 to 4000
	-	±0.5	±1.0	±1.5	±2.5	±4.0	±6.0	±8.0

Drawing No. TCDR 2058		Material. SS 316L	
Part No. TCS1-240-RANGE		Finish. N/A	
SIZE A3	Date 17/05/2021	Created By: Dan Hewlett	REV 1
SCALE 1:1			SHEET 1 of 1