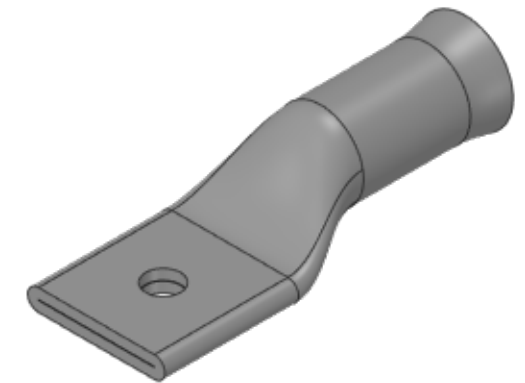
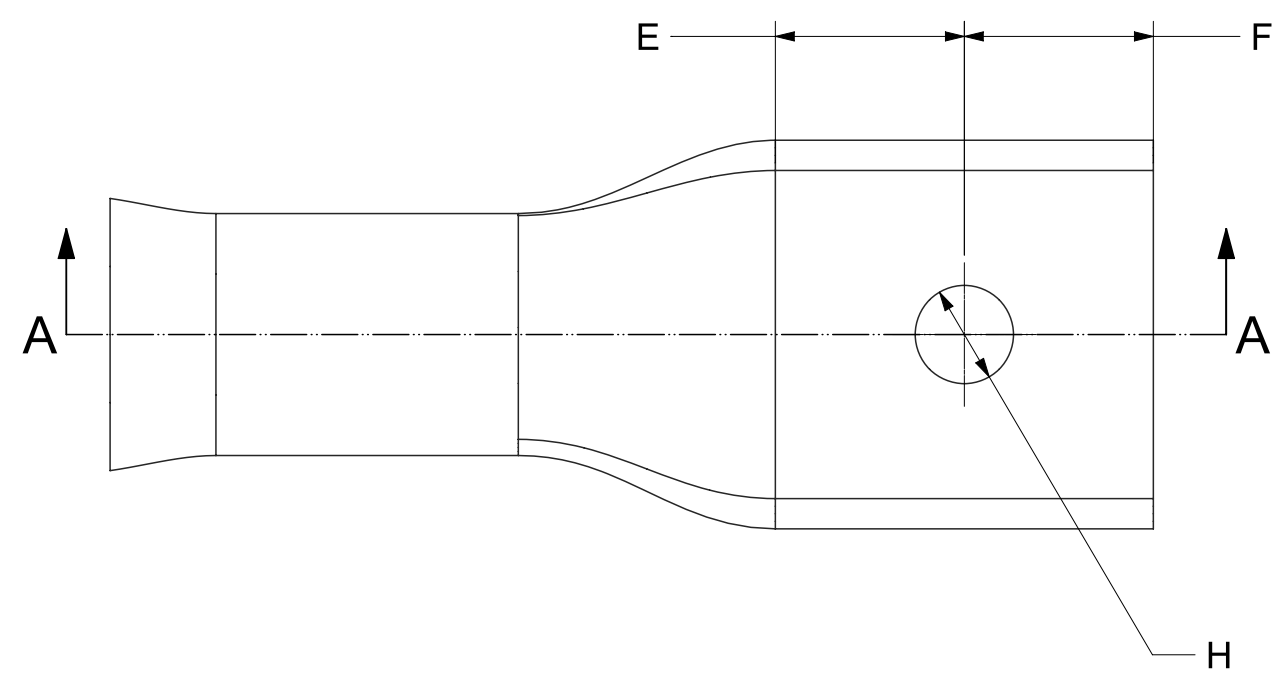
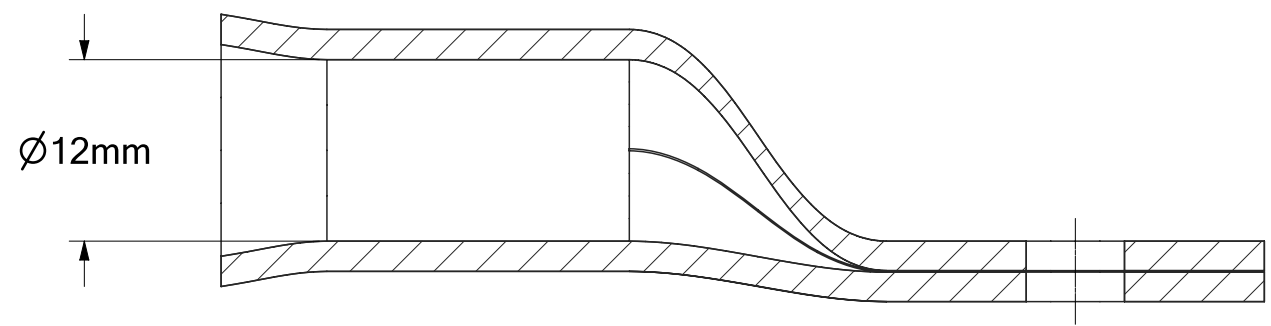


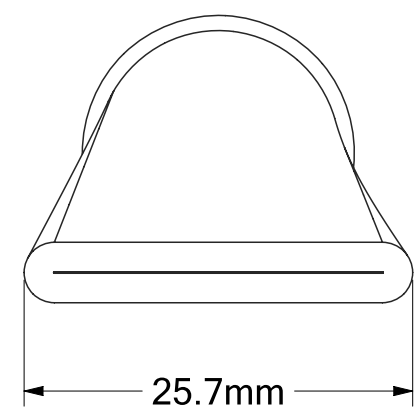
REVISION HISTORY	
1	Original Concept
2	Revision created for .pdf clarity



SCALE 1:1



SECTION A-A



PART NO.	H (mm)	E (mm)	F (mm)
TCS1-70-0	0	N/A	25.0
TCS1-70-6	6.5	12.5	12.5
TCS1-70-8	8.5	12.5	12.5
TCS1-70-10	10.5	12.5	12.5
TCS1-70-12	13.0	12.5	12.5

UOS - LINEAR TOLERANCE PERMISSABLE DEVIATIONS FOR SIZE RANGE:
Tolerances according to DIN ISO 2768 (V)

DIMS IN MM	0.5 to 3	>3 to 6	>6 to 30	>30 to 120	>120 to 400	>400 to 1000	>1000 to 2000	>2000 to 4000
	-	±0.5	±1.0	±1.5	±2.5	±4.0	±6.0	±8.0

Drawing No. TCDR 2054

Material. SS 316L

Part No. TCS1-70-RANGE

Finish. N/A

SIZE A3 Date 14/05/2021

Created By: Dan Hewlett

REV 2

SCALE 2:1

SHEET 1 of 1