

### APPLICATION

A set of three heat-shrinkable terminations for polymeric cables, widely used by power utilities and in industrial applications. For use indoor in controlled environmental conditions.

### DESIGN

1. Cable lug (supplied on request).
2. Water sealing mastic.
3. Anti-tracking heat-shrinkable tube.
4. Stress control heat-shrinkable tube.
5. Stress control mastic.
6. Anti-tracking sheds (when required).

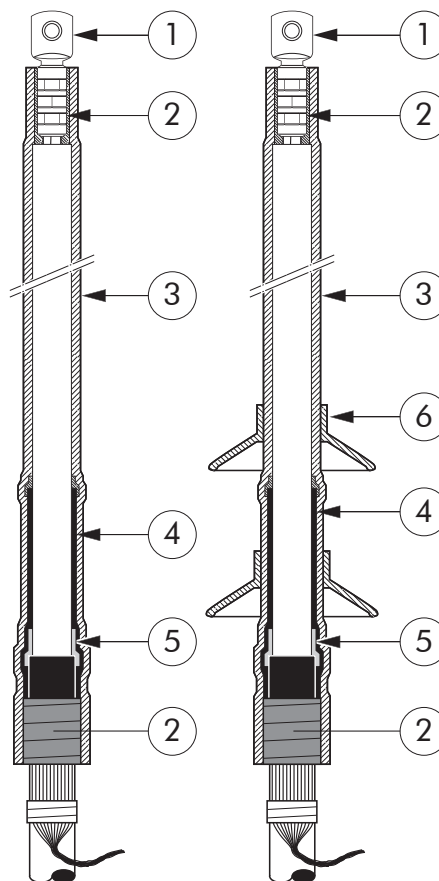
### SPECIFICATIONS AND STANDARDS

Meets the requirements of CENELEC HD 629.1 and IEC 60502-4.

### ORDERING INSTRUCTIONS

Select the part number and add both system voltage and conductor size range.

**Example part number:**  
SREI 12/120-240



6/10 (12) kV  
6.35/11 (12) kV  
8.7/15 (17.5) kV  
12/20 (24) kV  
12.7/22 (24) kV  
18/30 (36) kV  
19/33 (36) kV

**Up to 36 kV**

Termination type	Voltage class (Um)	12 kV	(17 &) 24 kV	36 kV
SREI	Cable cross section (mm <sup>2</sup> )	35-95	35-70	50-95
		120-240	95-185	120-240
		240-500	240-400	240-500
		400-630	400-630	400-630



For use with other sizes and cable types. Please contact our representative.

11/2017