

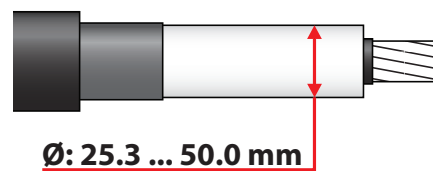




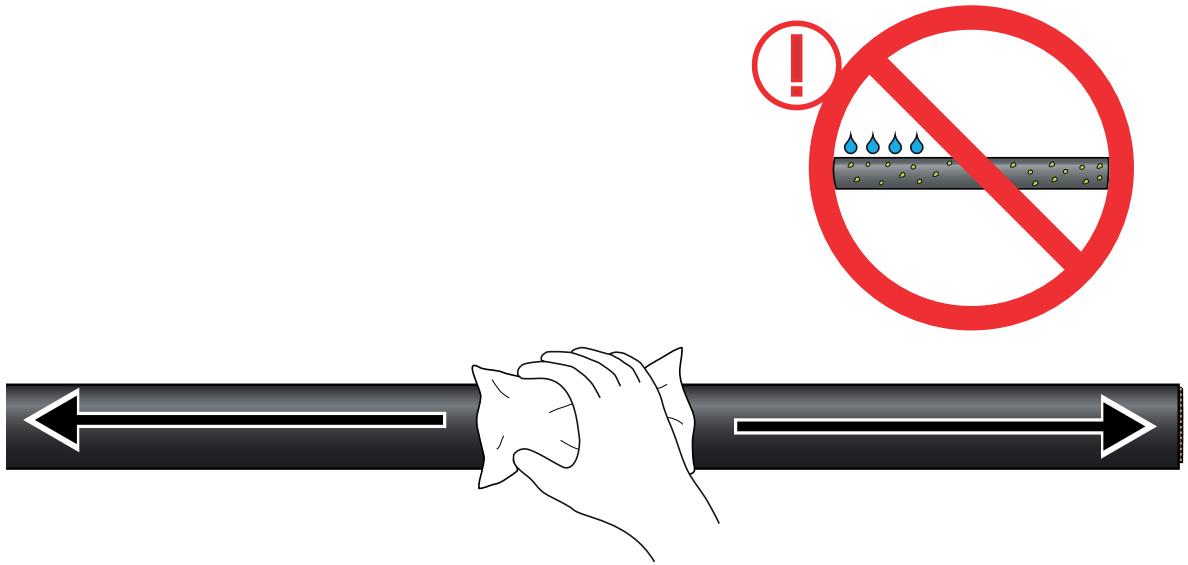
CIT1.2404L

$U_o/U (U_m)$ kV	  mm ²
12.7/22 (24) kV	185-300
6.35/11 (12) kV	240-300

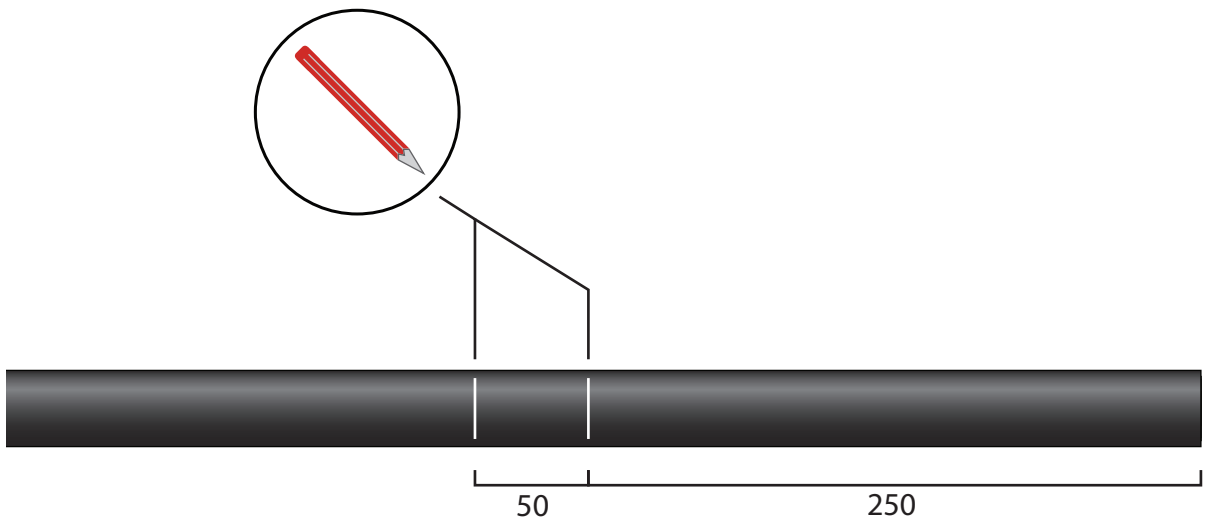


	CTSAGEL22-65L		3		
	LA300N13SB2		3		
	LUG6-50/12LVTIN		3		
	SMG200	2x100 mm	6		
	MPA21 RFL15		3 3		
	CT149		3		
	PEE64.1	600 mm	2		
	PEE39/1500		1		
	PEE225W		1		
	PA23		1		
	PEM-CIT1_2404L		1		

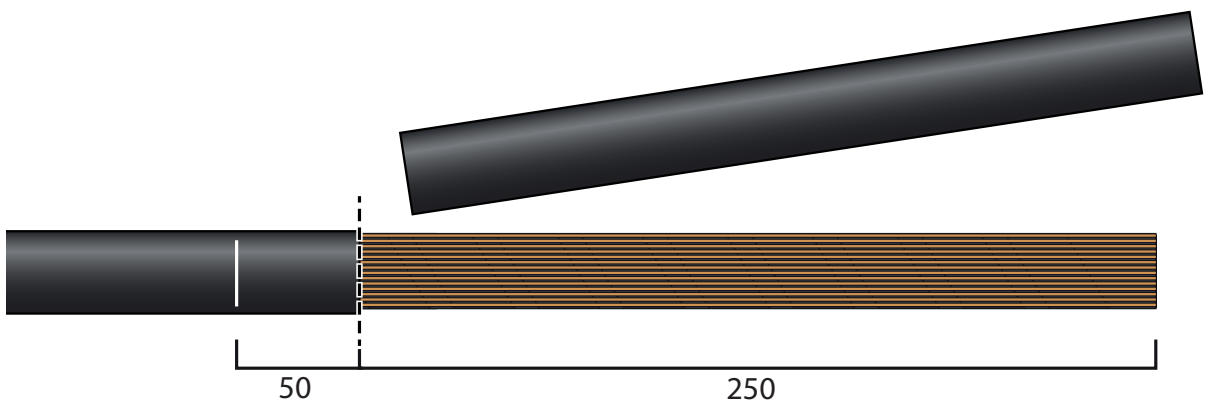
1



2



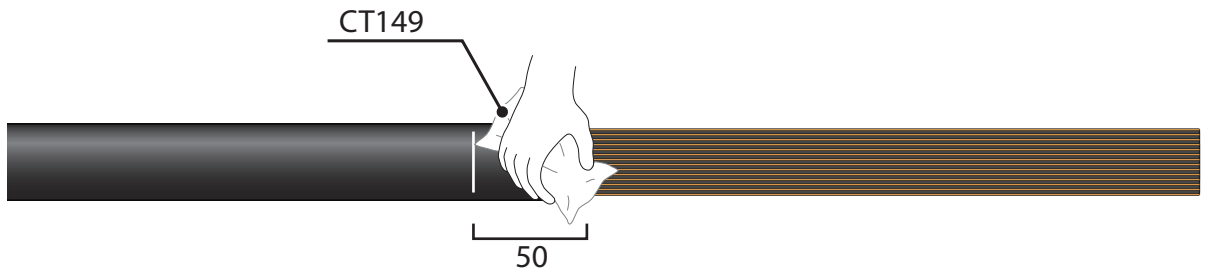
3



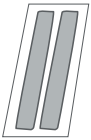
4



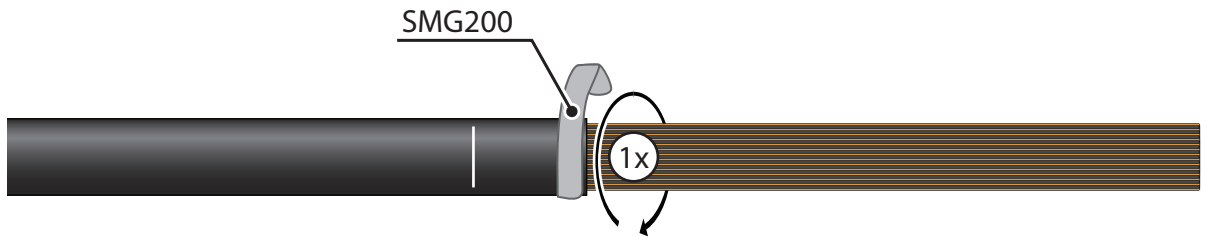
CT149



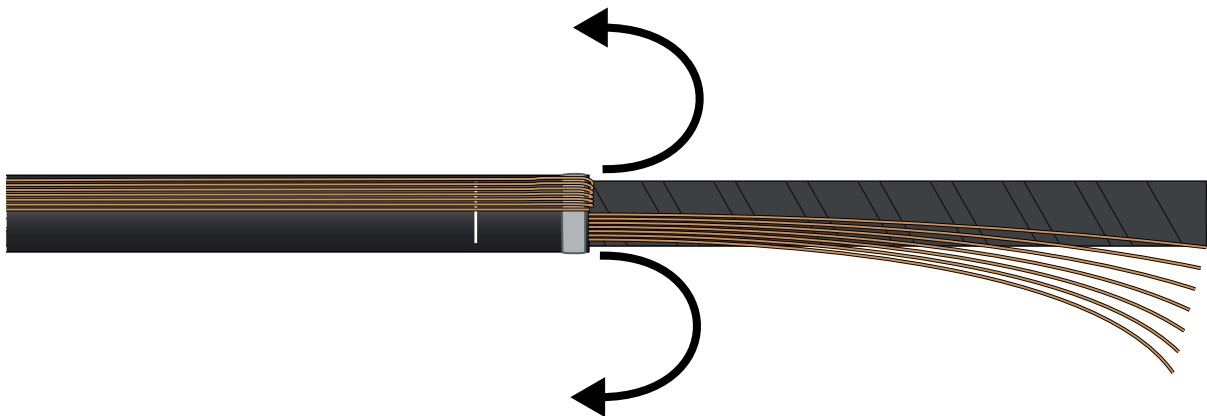
5



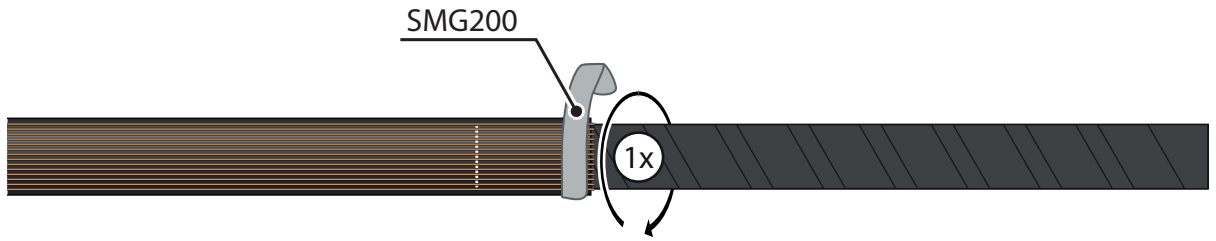
SMG200



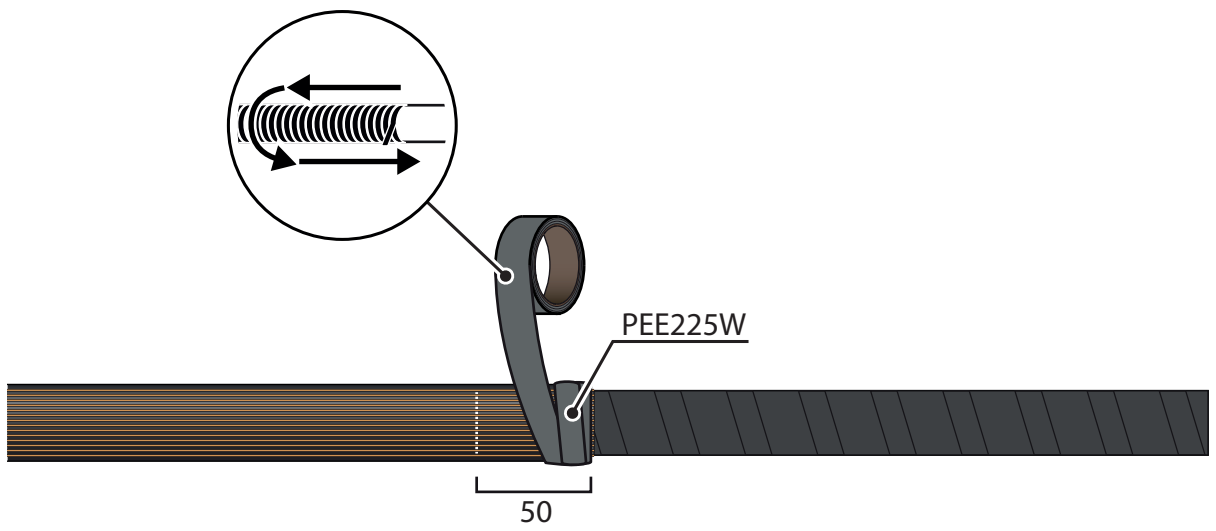
6



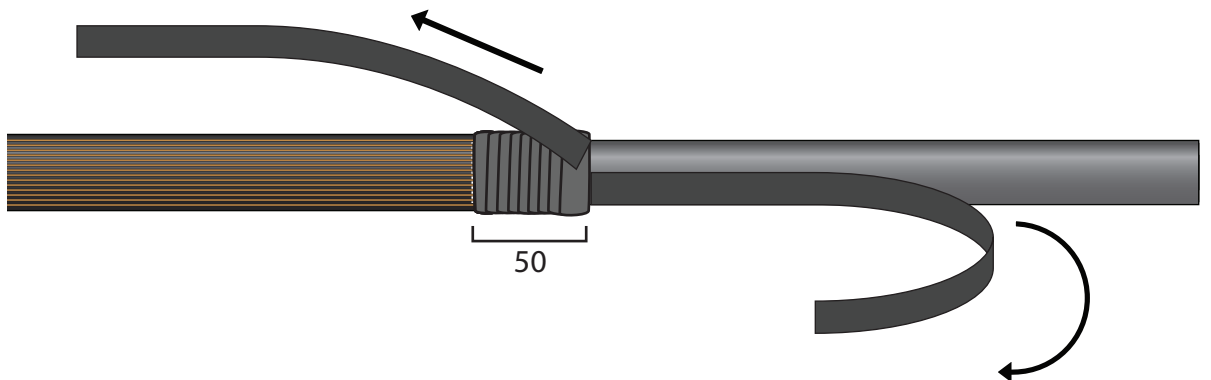
7



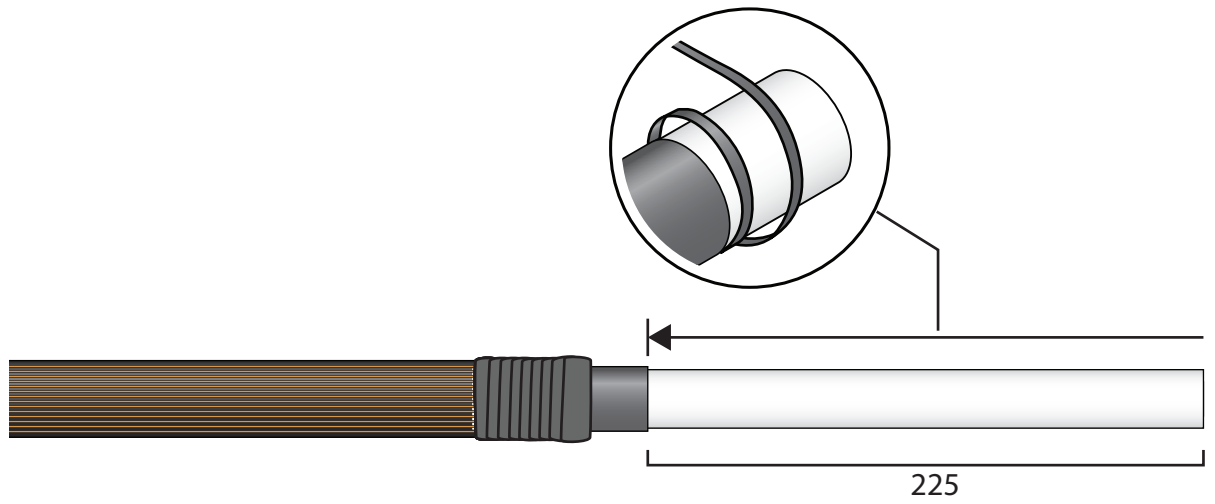
8



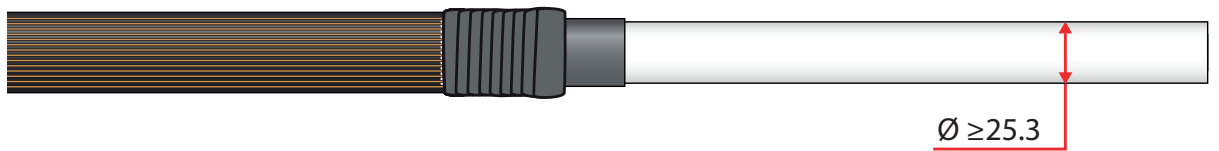
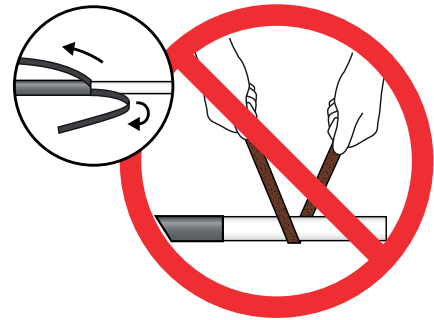
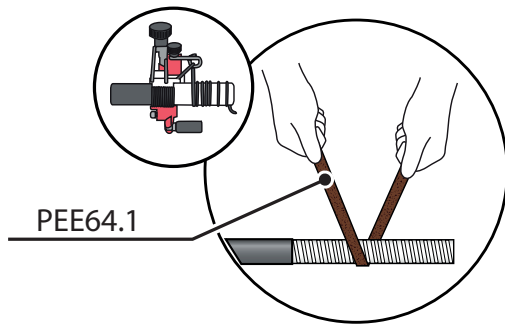
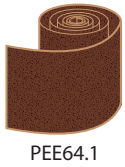
9



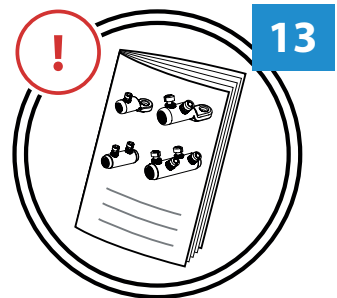
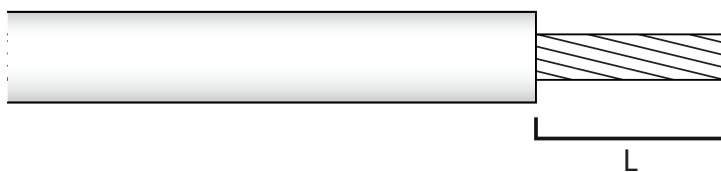
10



11

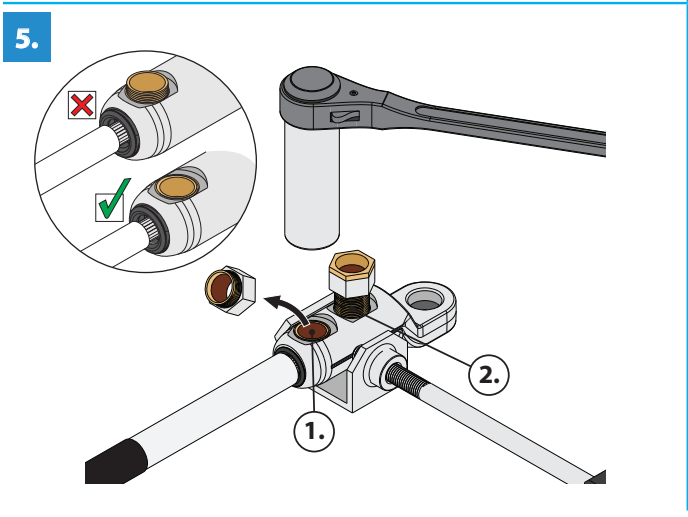
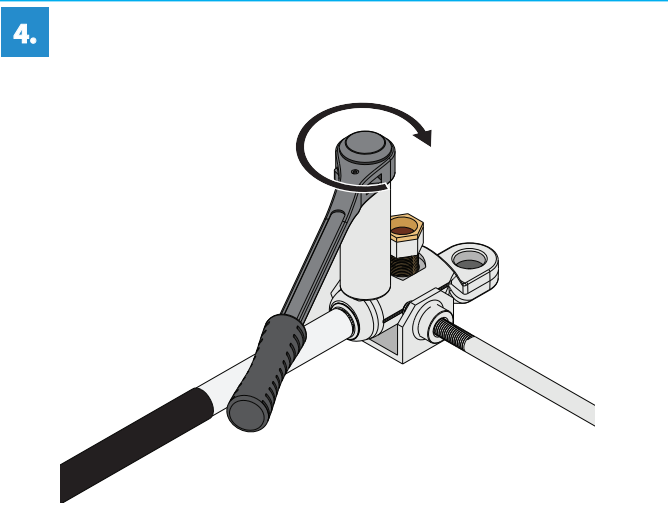
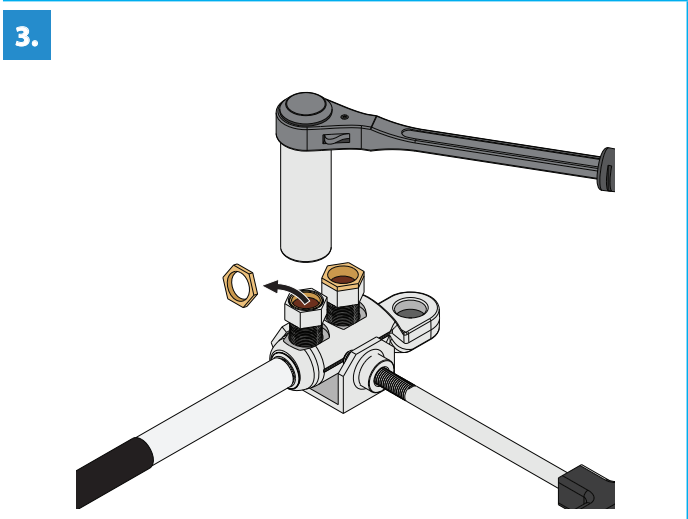
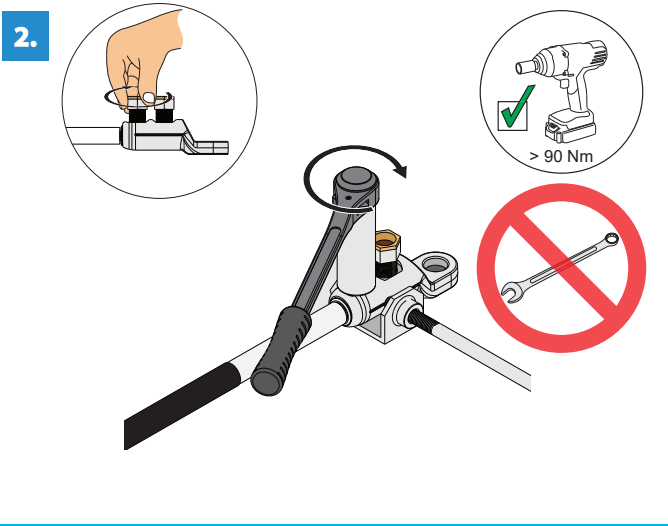
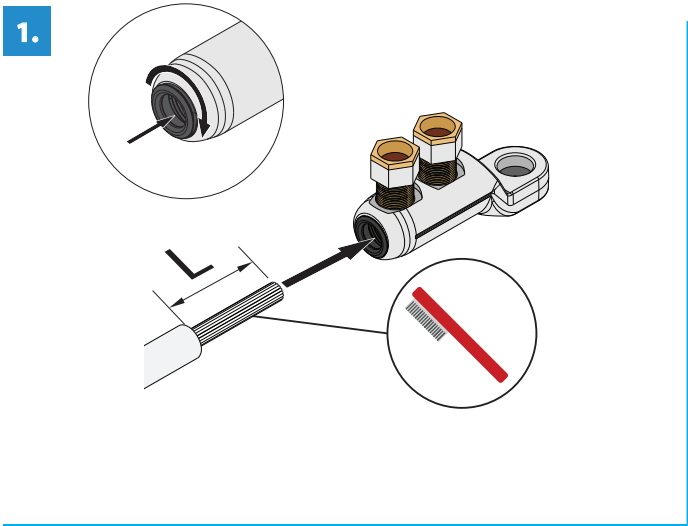


12





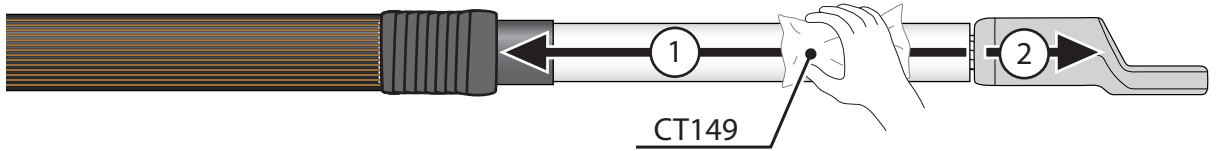
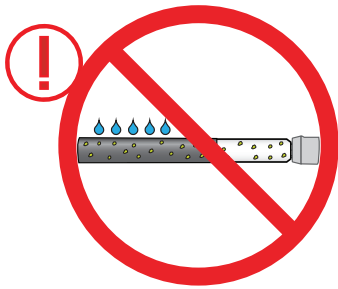
	mm	mm ²	mm ²	mm ²	mm	mm ²	mm	mm
LA300N135B2	11.0-21.6	95-300	90° 95-185 120° 95-150	90° 95-185 120° 95-150	60	95-150	d = 21 L _{min} = 26	13 mm



14



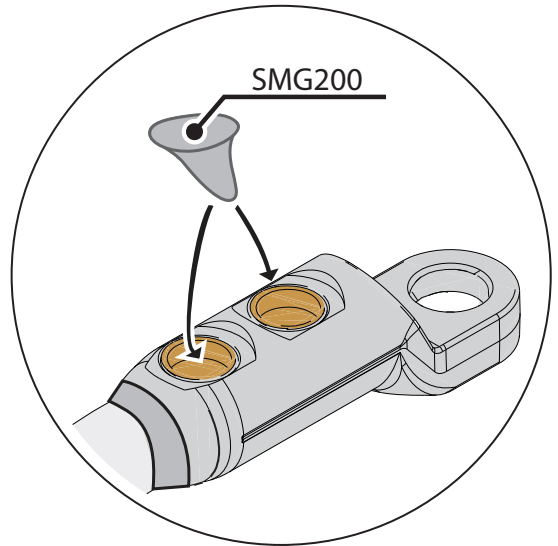
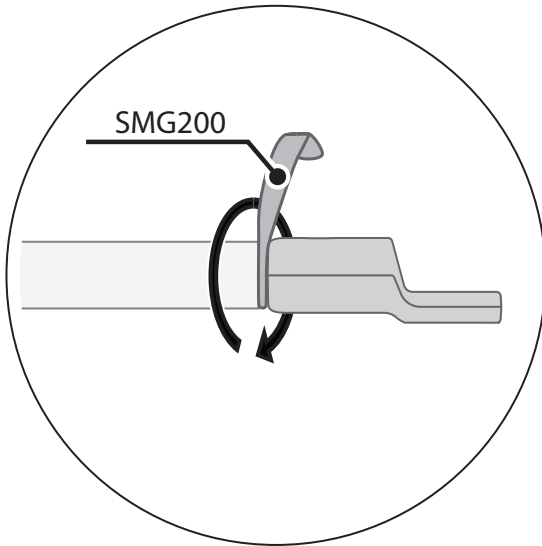
CT149



15



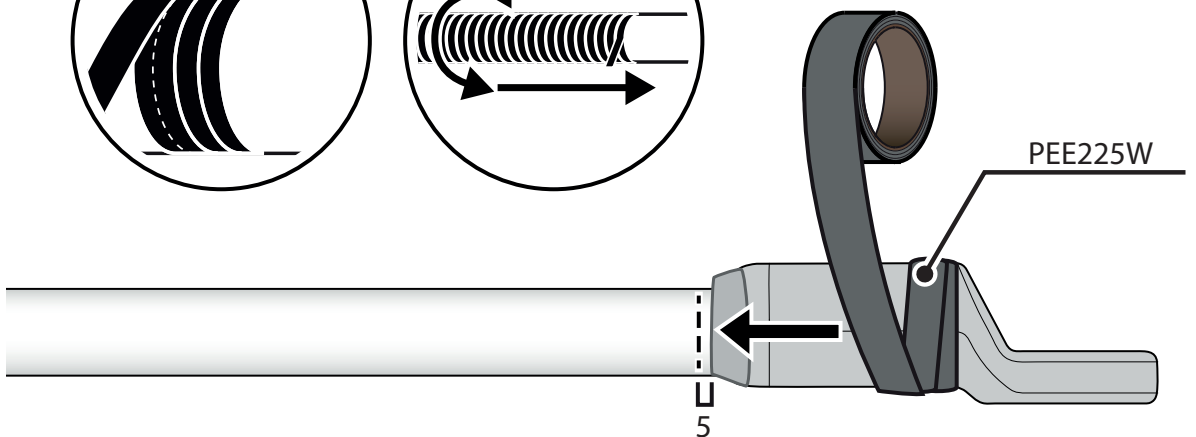
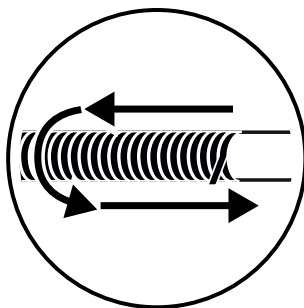
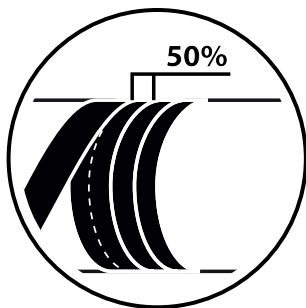
SMG200



16



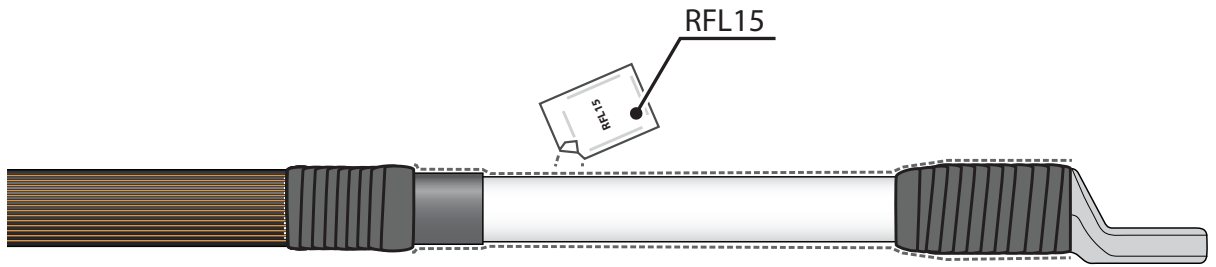
PEE225W



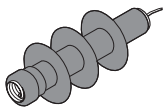
17



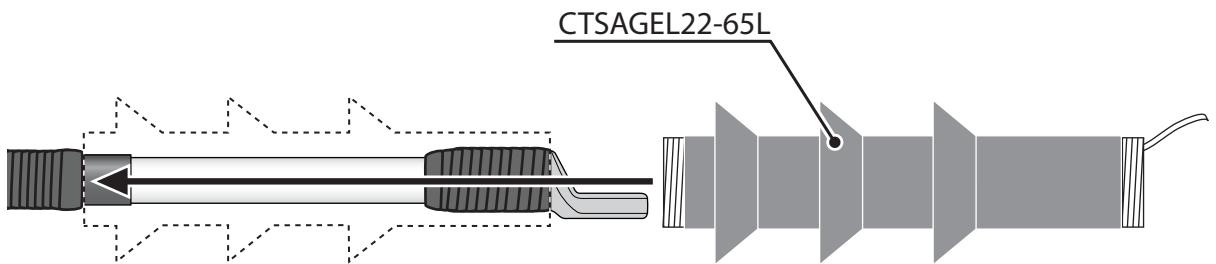
RFL15



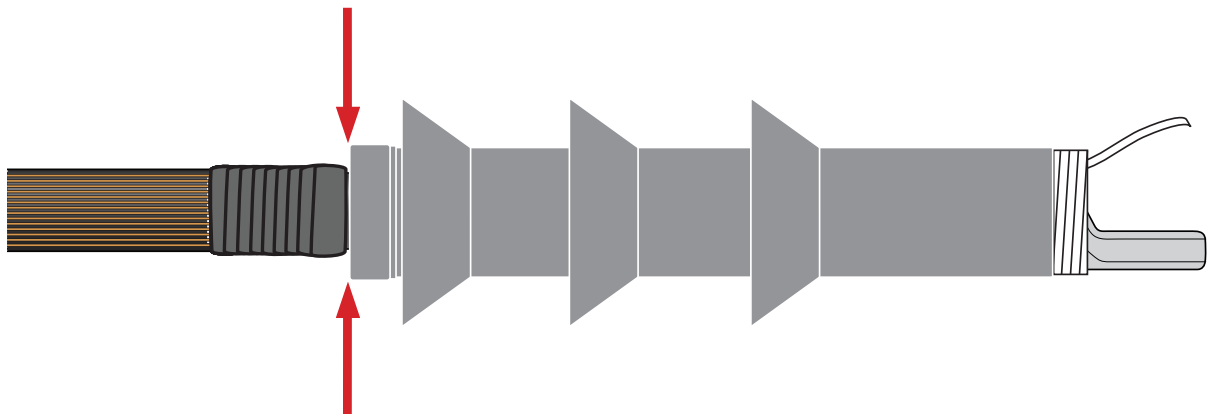
18



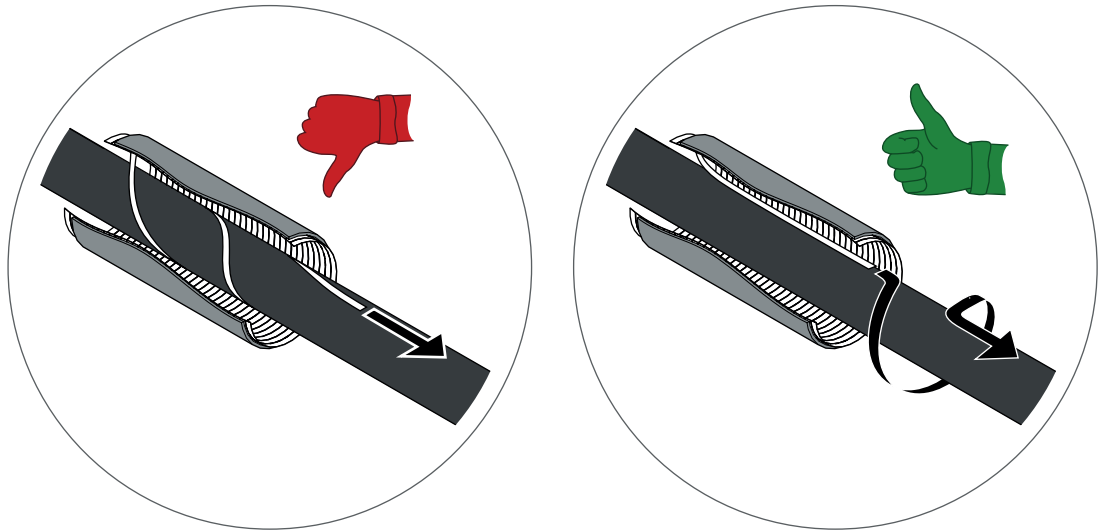
CTSAGEL22-65L



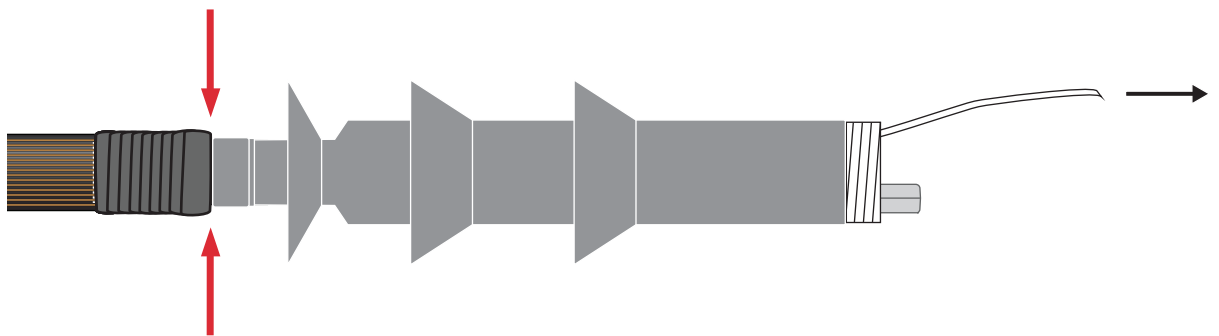
19



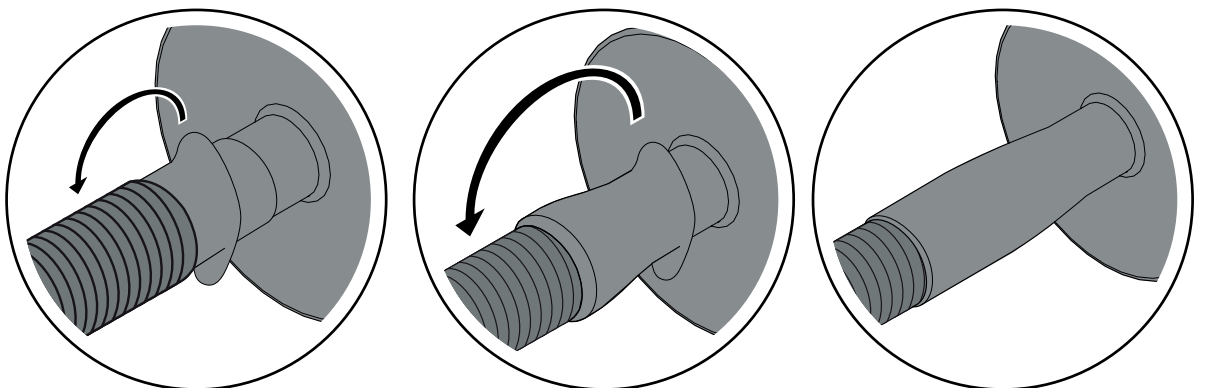
20

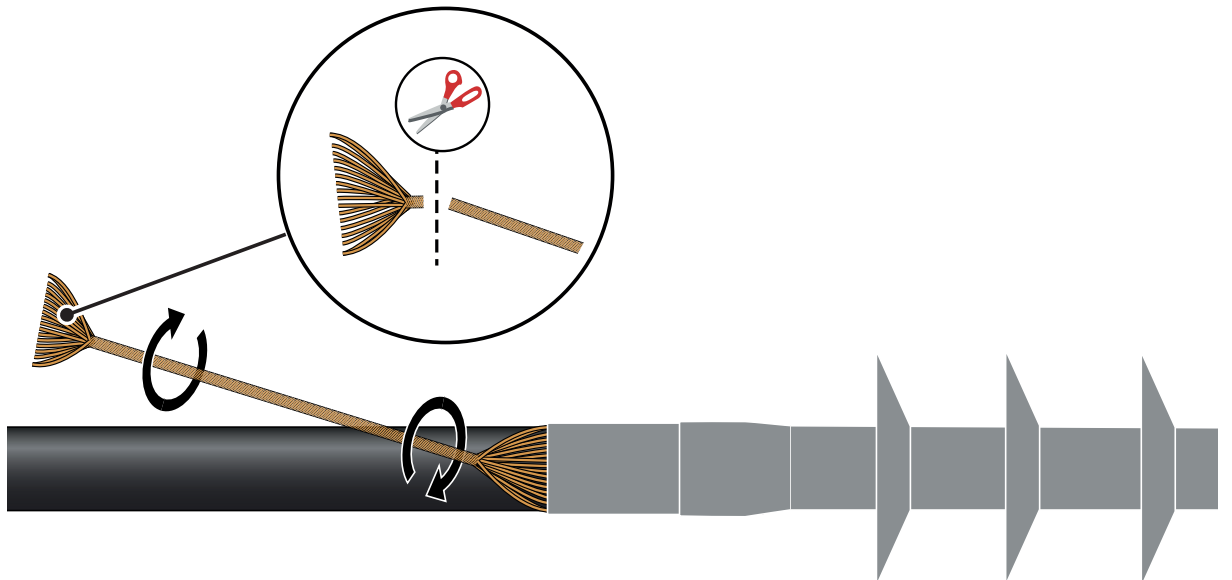
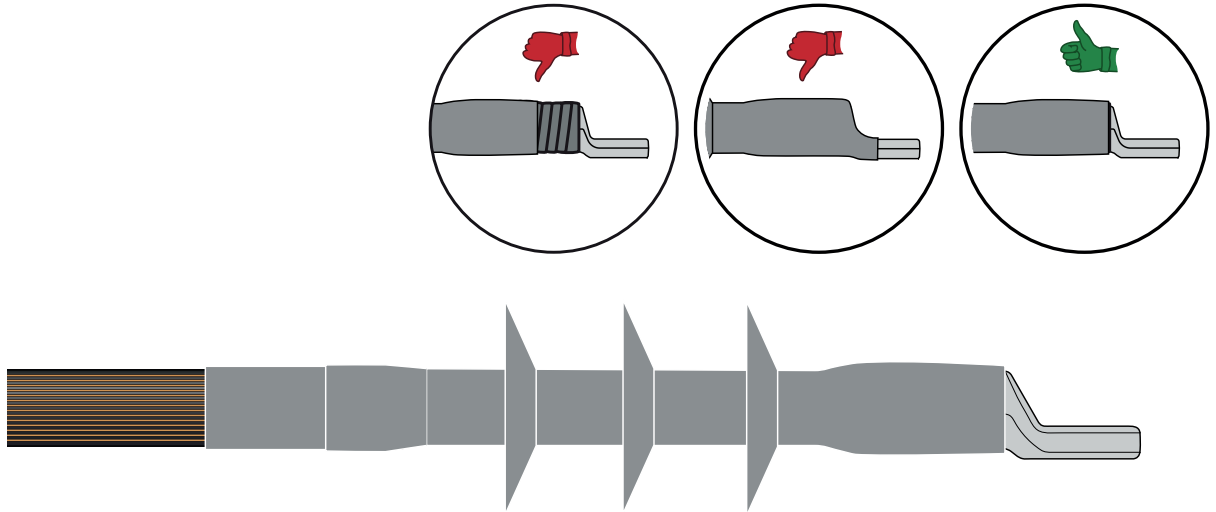


21

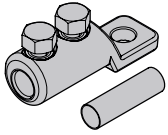


22

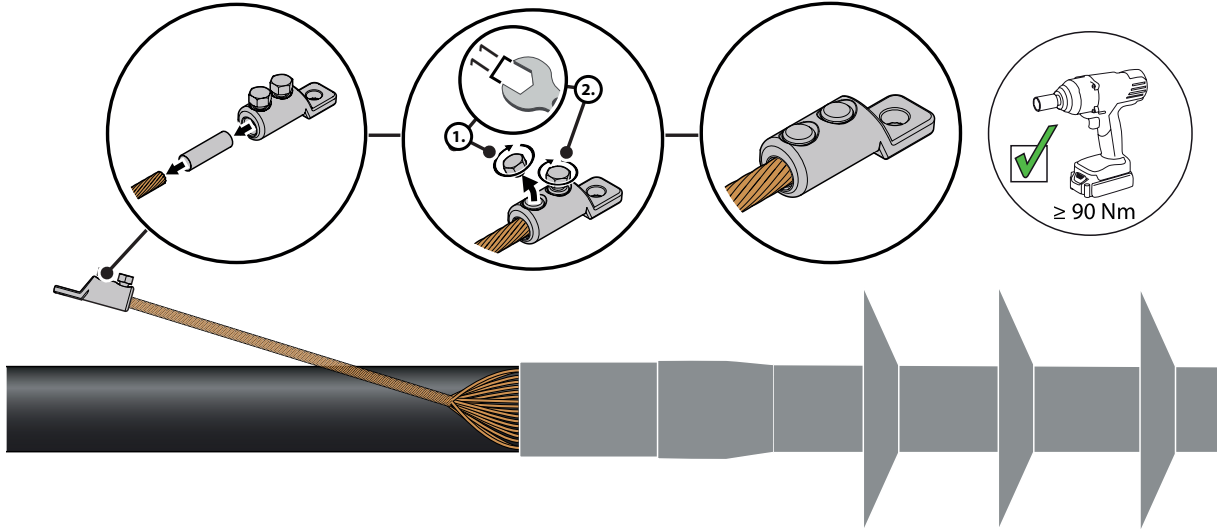




25

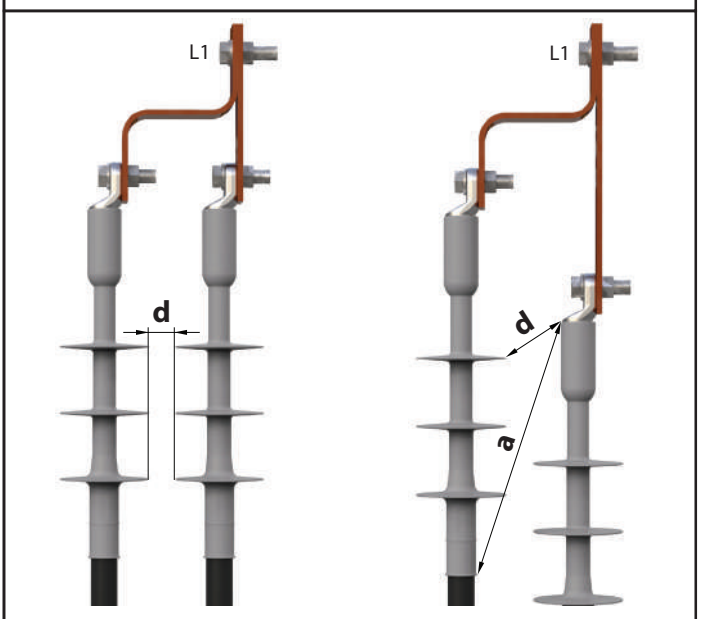
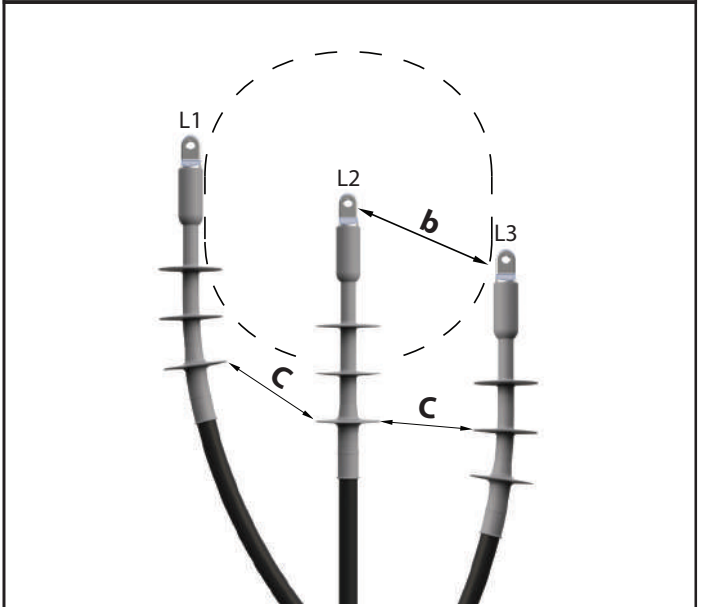
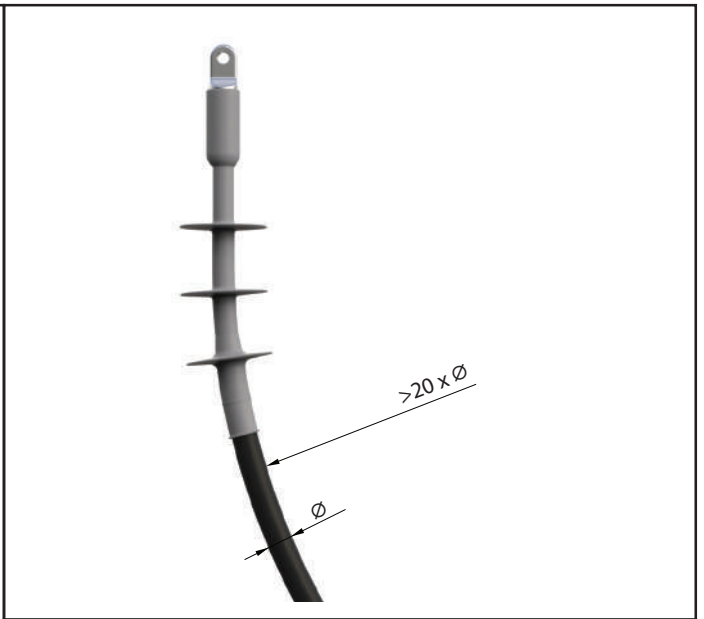
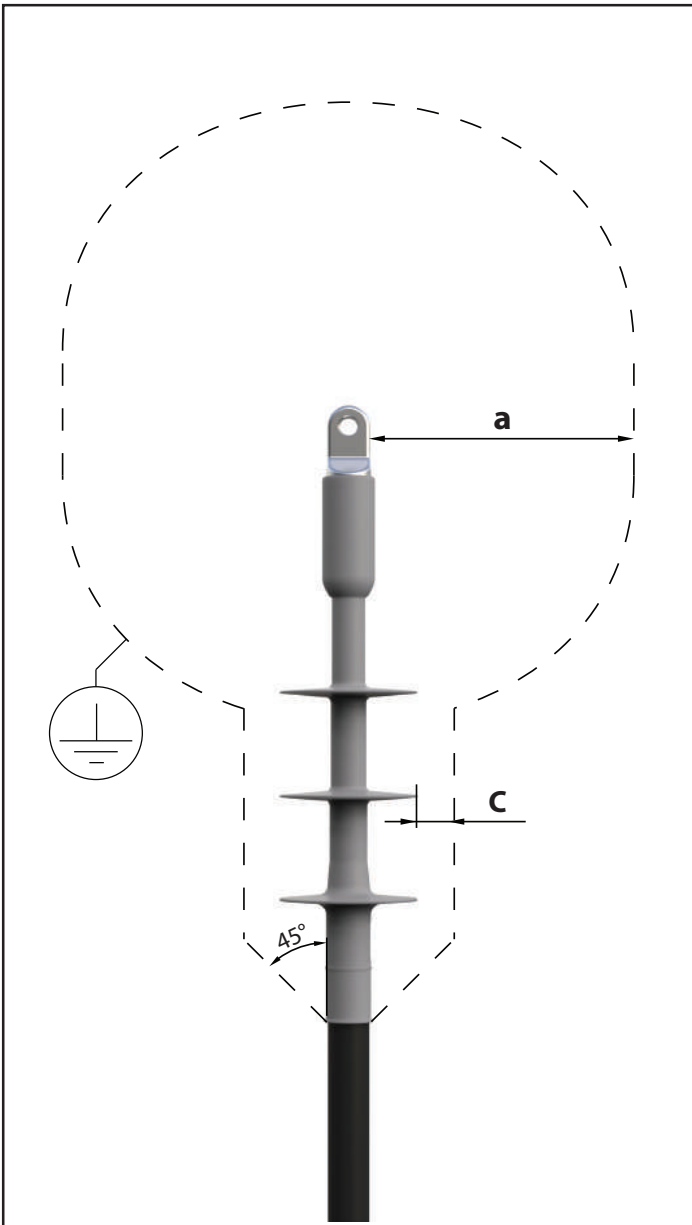


LUG6-50/12LV TIN



26





	12 kV	24 kV	36 kV	42 kV
a	§§§	§§§	§§§	§§§
b	§§§	§§§	§§§	§§§
c (mm)	15	25	35	45
d (mm)	10	20	25	35

§ § § = according to local requirements

ENSTO