

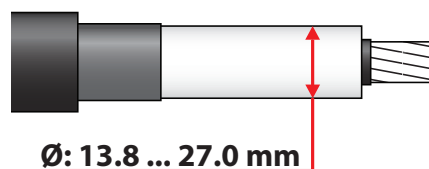




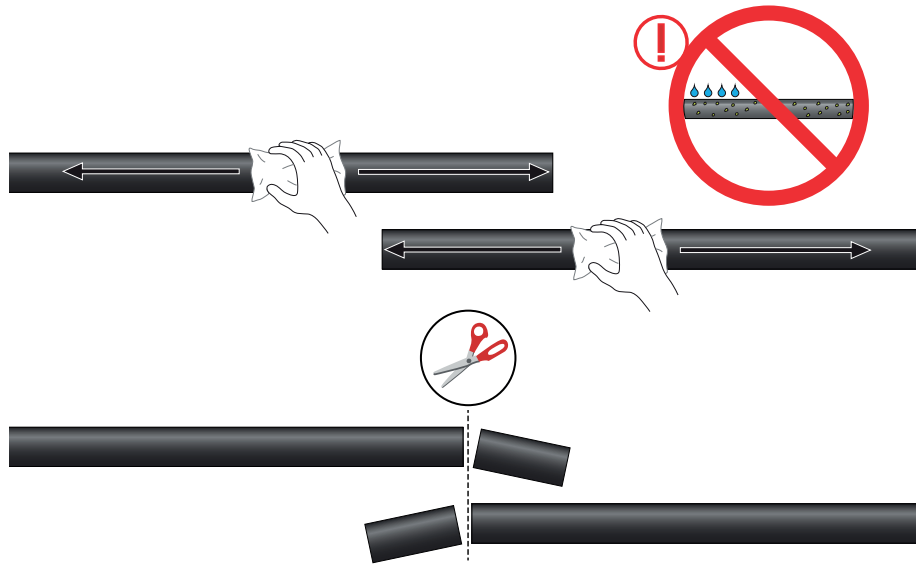
CJ11.2402C

$U_o/U (U_m)$ kV	  mm ²
12.7/22 (24) kV	10-95
6.35/11 (12) kV	35-95

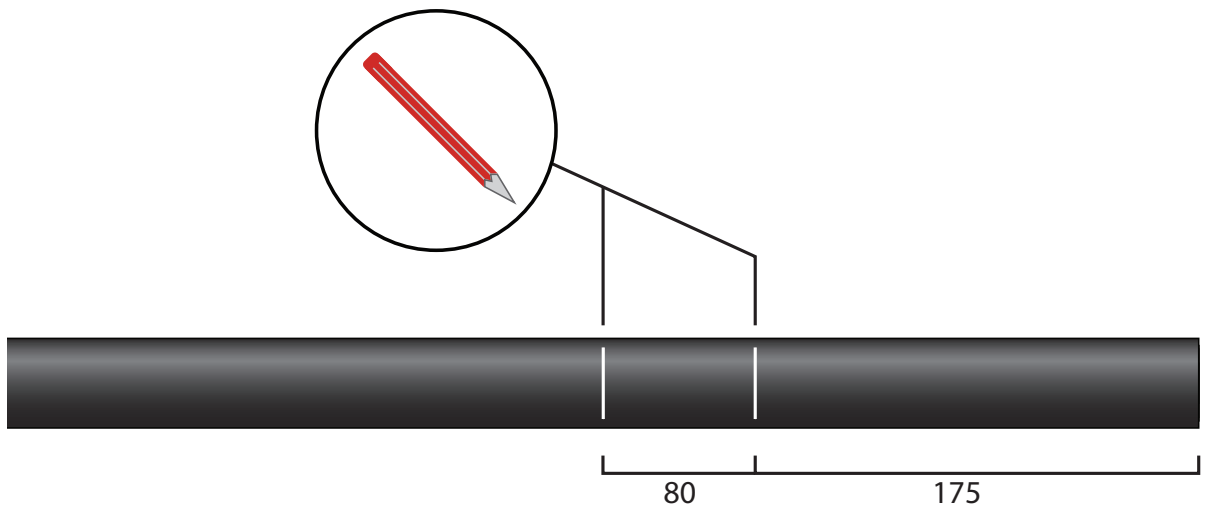


	CRET25.32/630-70L-SIL		1		PA23		1
	CSJM12-45/340-40L		1		PEE64.1	600 mm	1
	CA95SB2		1		PEE64	150 mm	1
	PEE226/550	550 mm	1		PEE225W		1
	SF2		2		PEM-CJ11_2402C		1
	ALT25/100		1				
	SACTA20.2		2				
	SSATA10		2				
	SMG200		2				
	MPA21 RFL15		1 1				
	CT149		2				

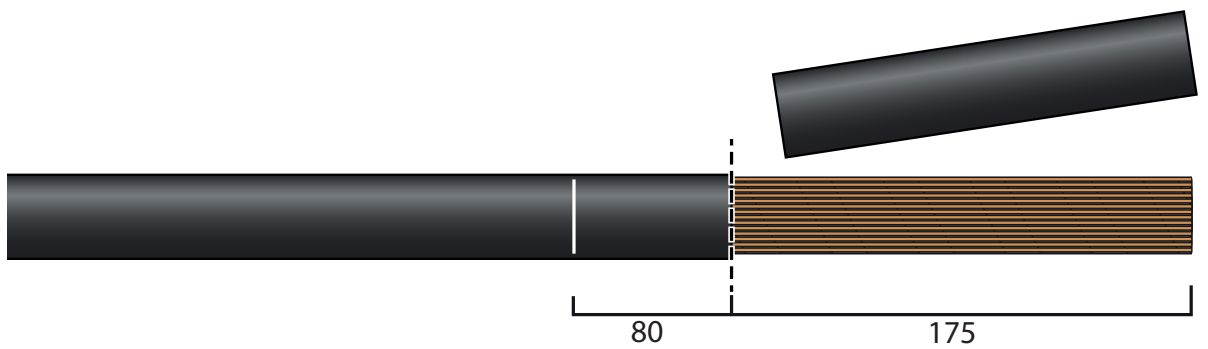
1



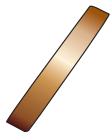
2



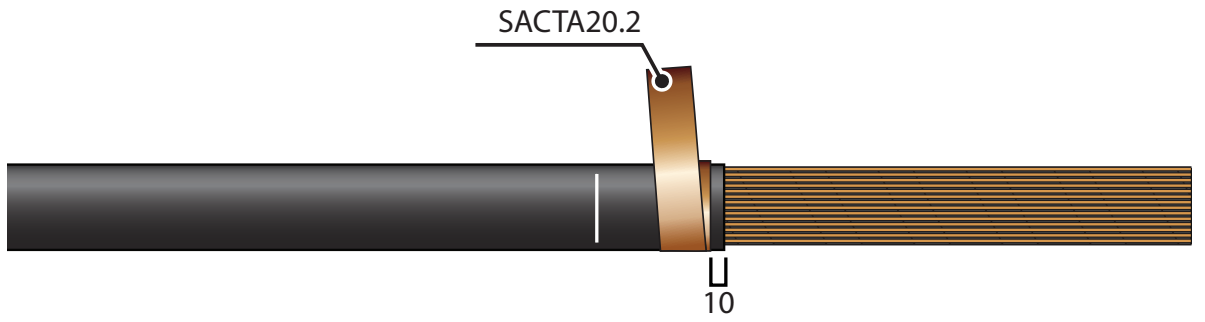
3



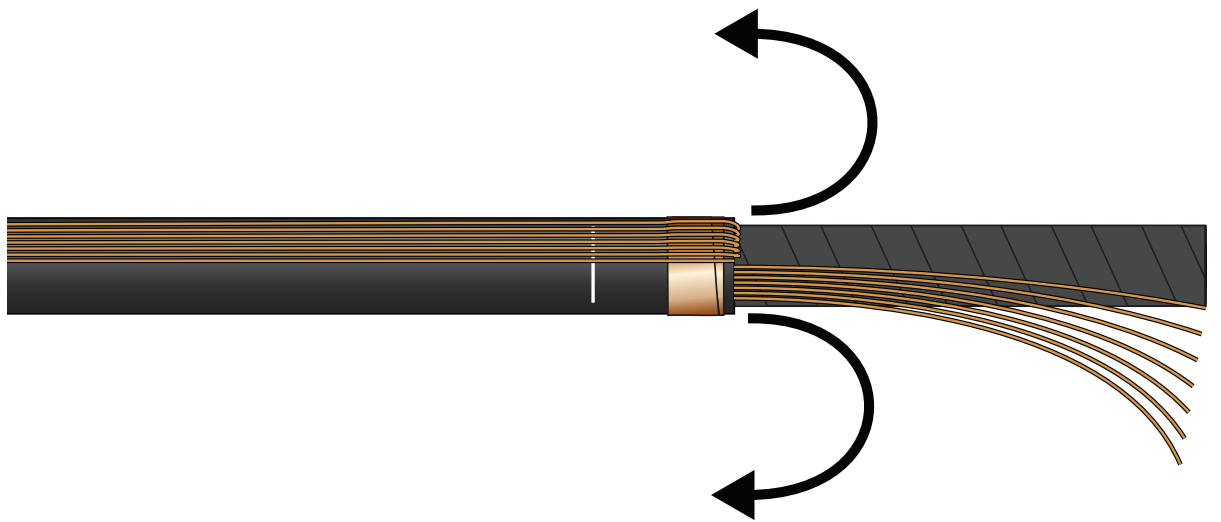
4



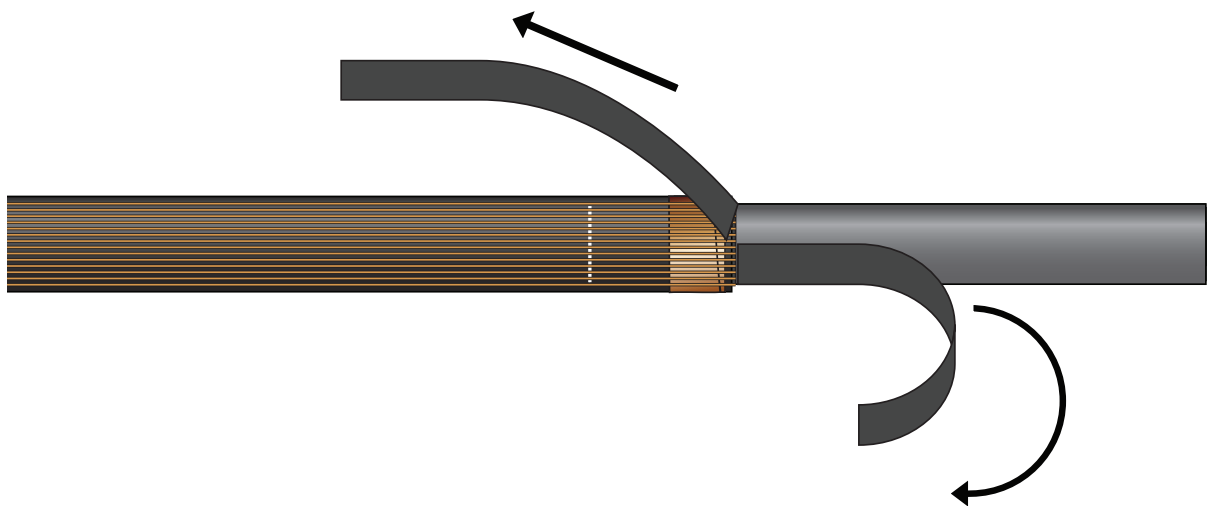
SACTA20.2



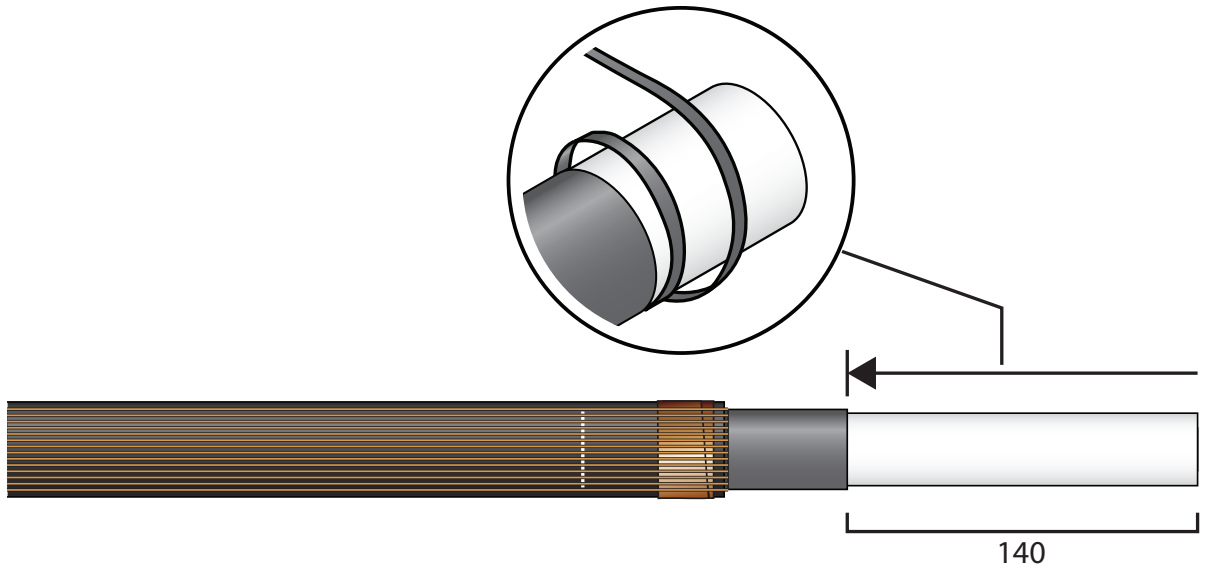
5



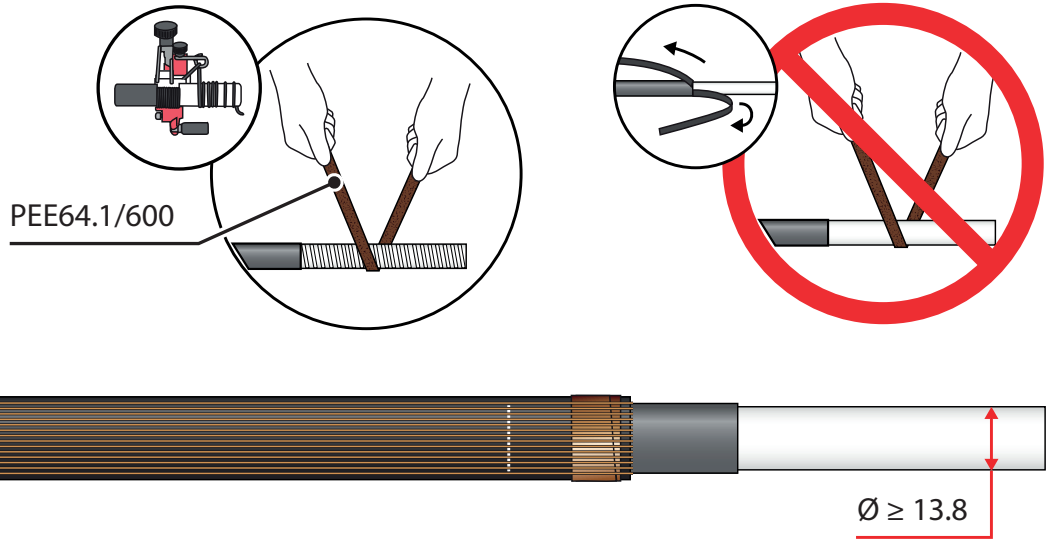
6



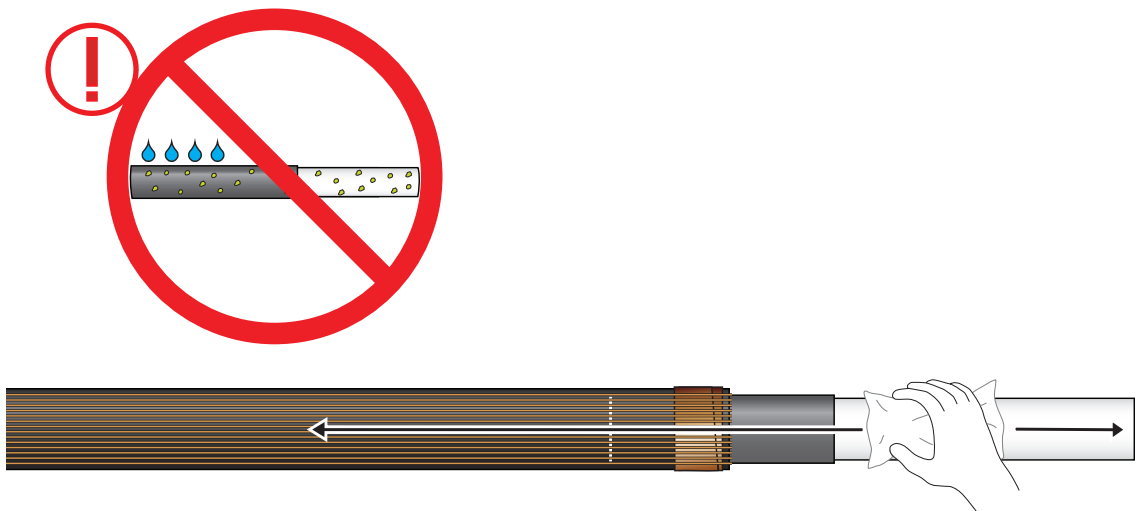
7



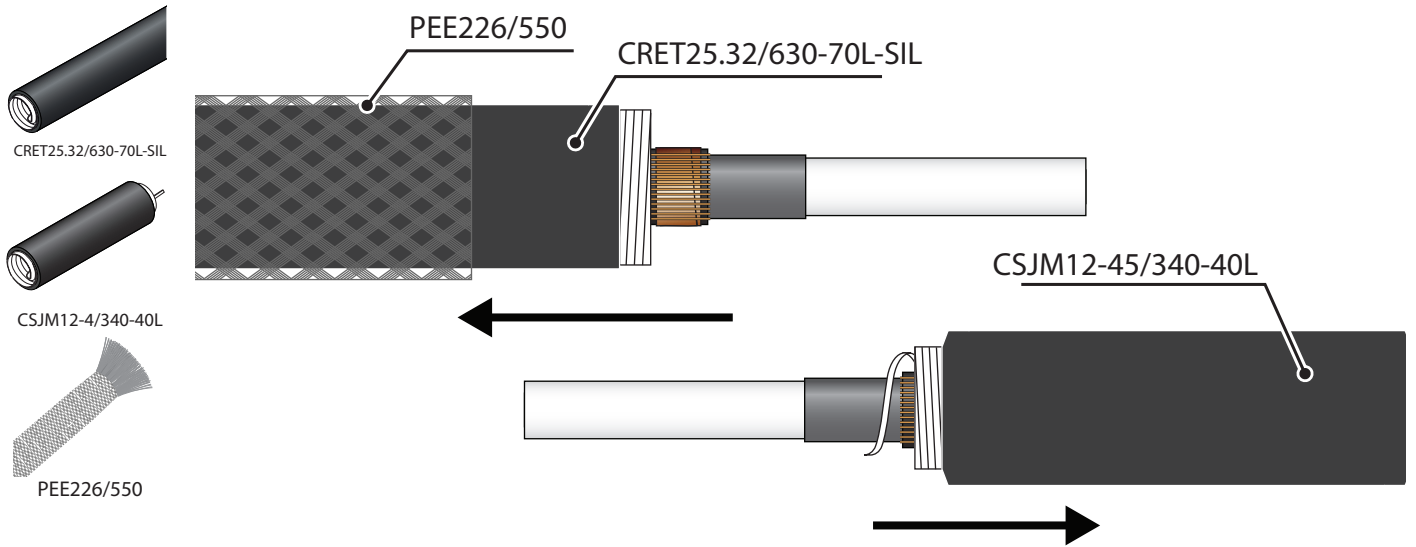
8



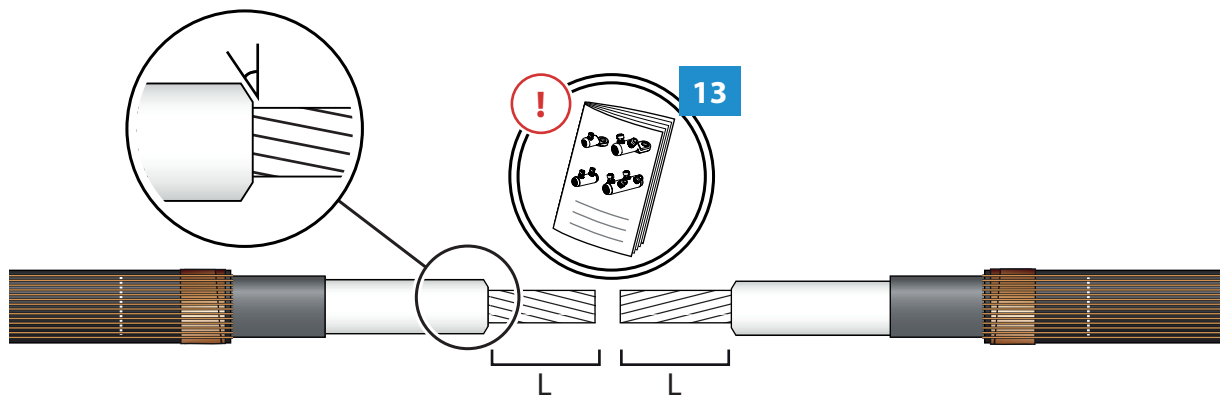
9



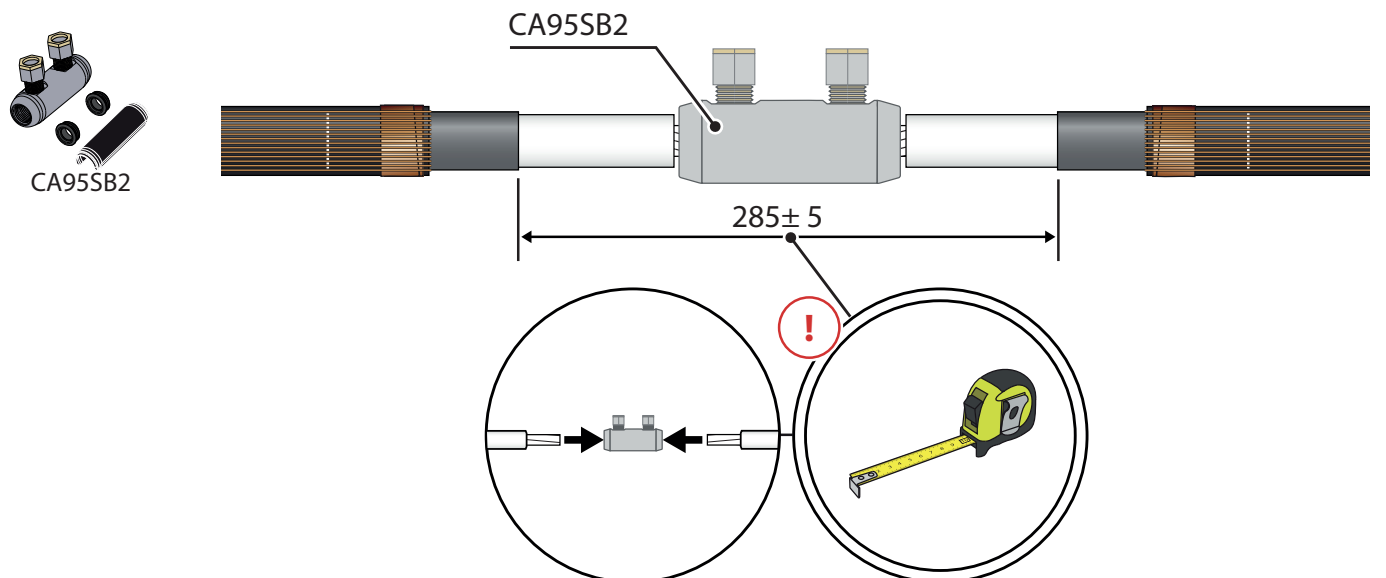
10



11

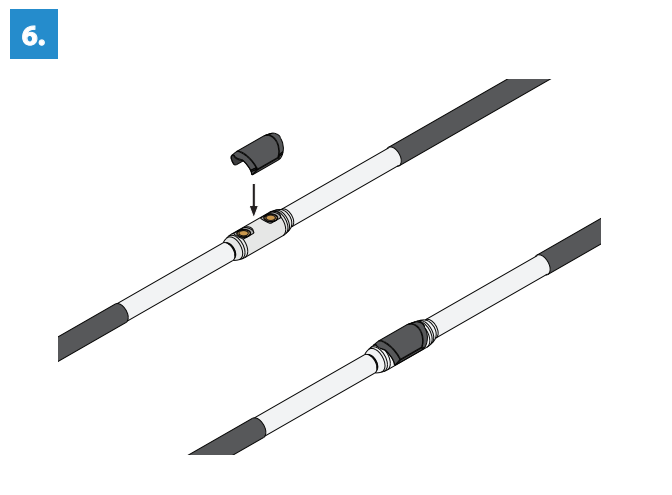
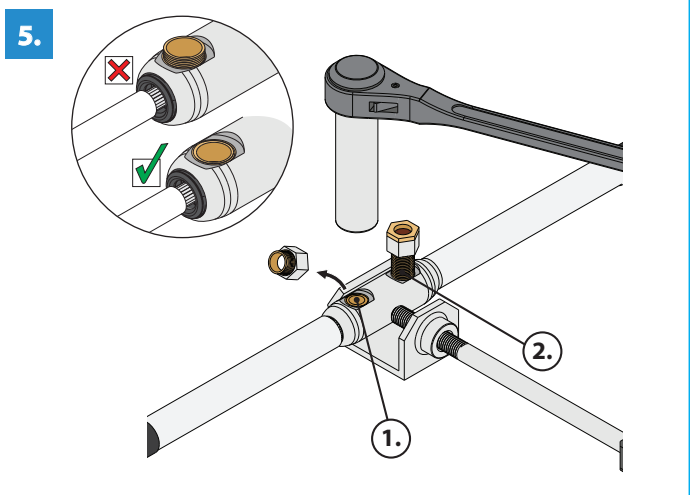
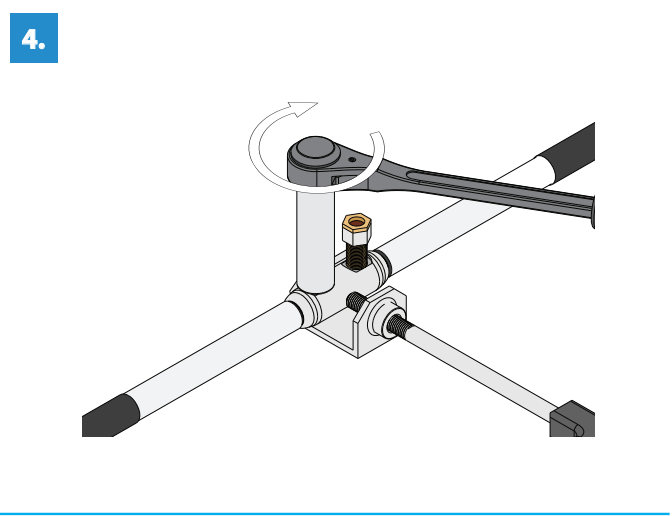
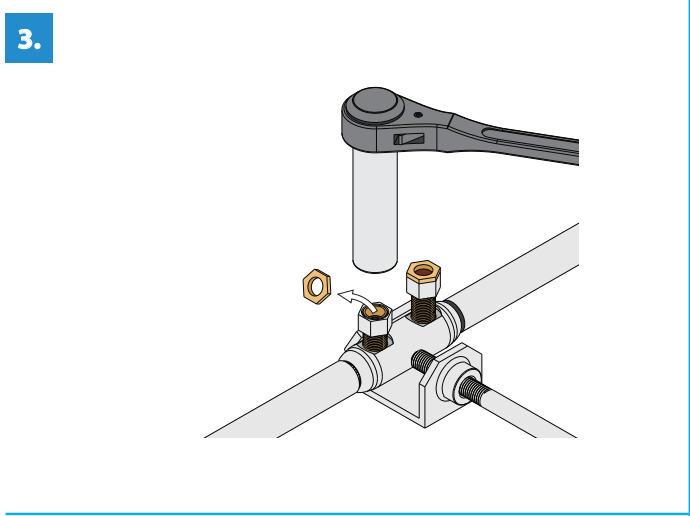
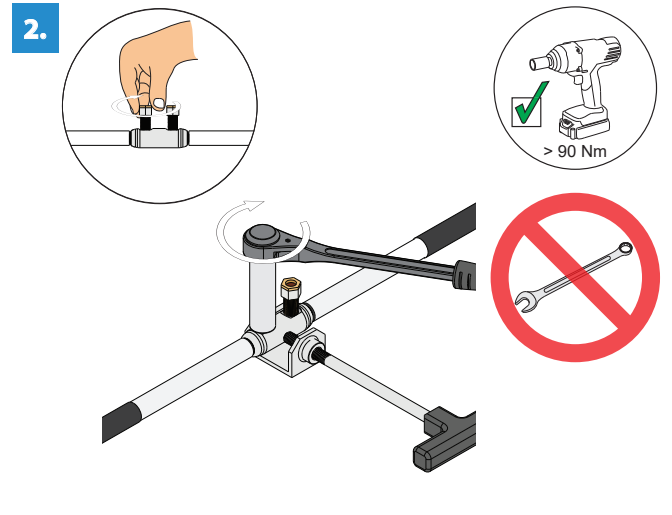
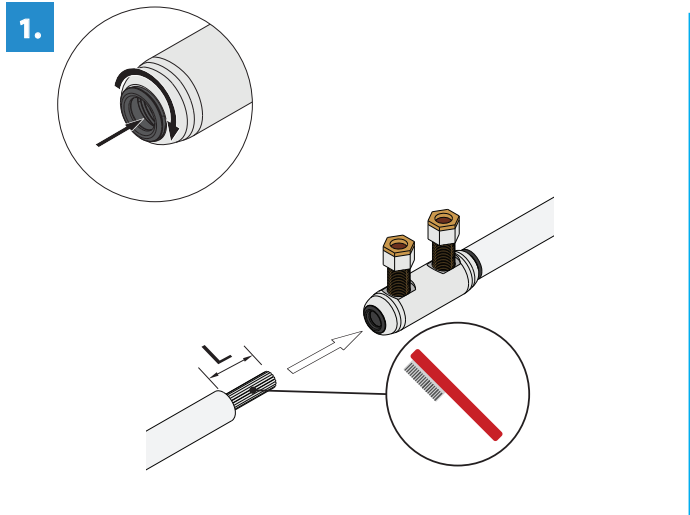


12





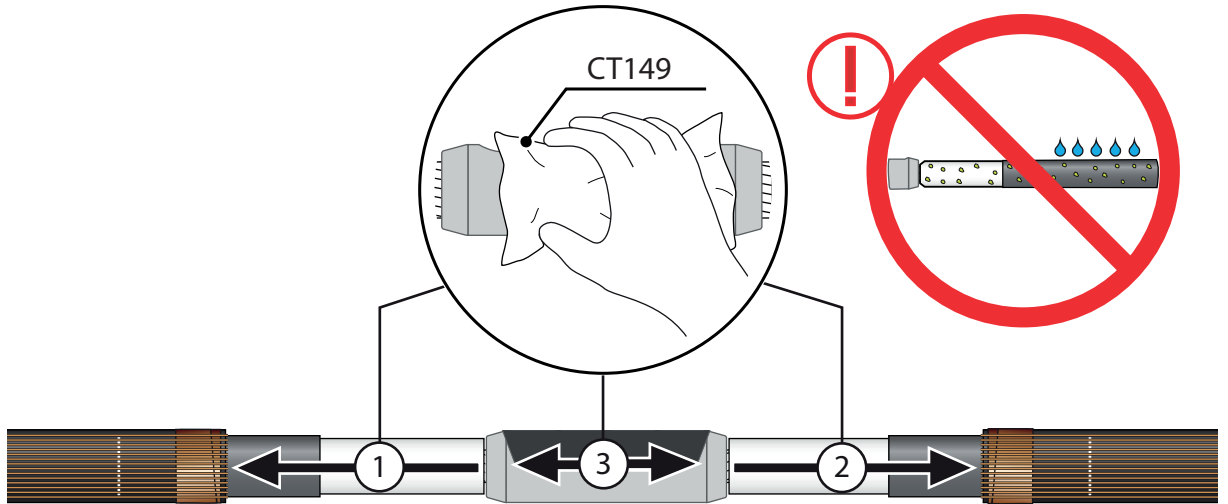
	mm	mm ²	mm ²	mm ²	mm	mm ²	mm
CA95SB2	3.6-12	10-95	90° 10-70 120° 10-50	90° 10-70 120° 10-50	35	10 - 50	d = 15 L _{min} = 26



14



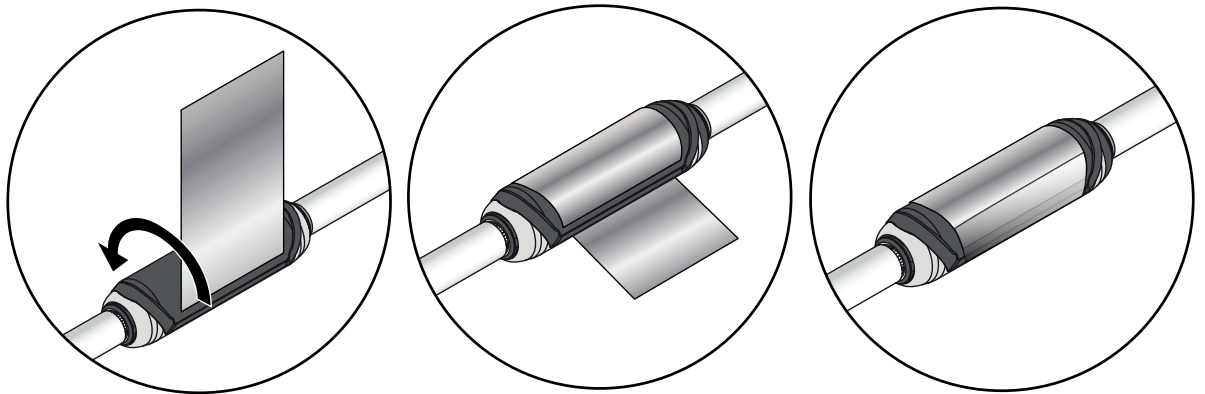
CT149



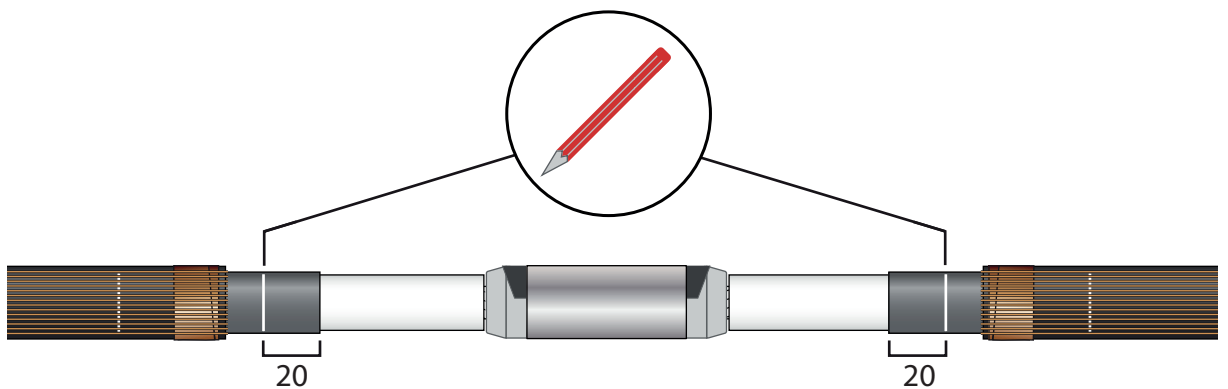
15



ALT25/100



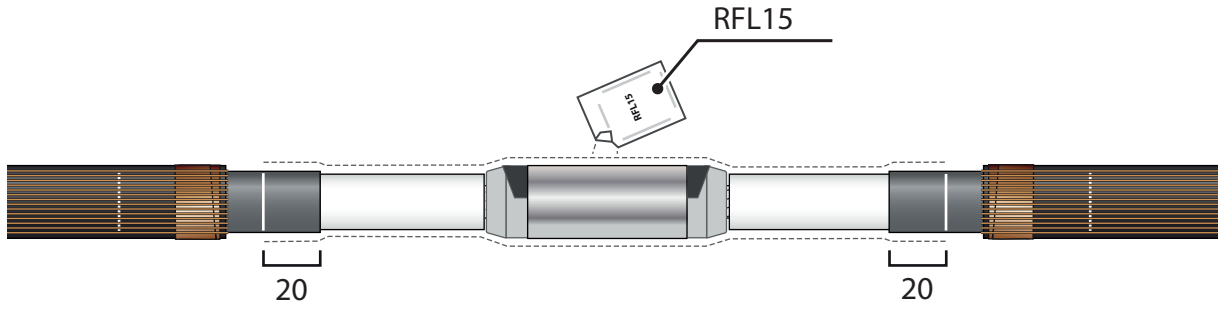
16



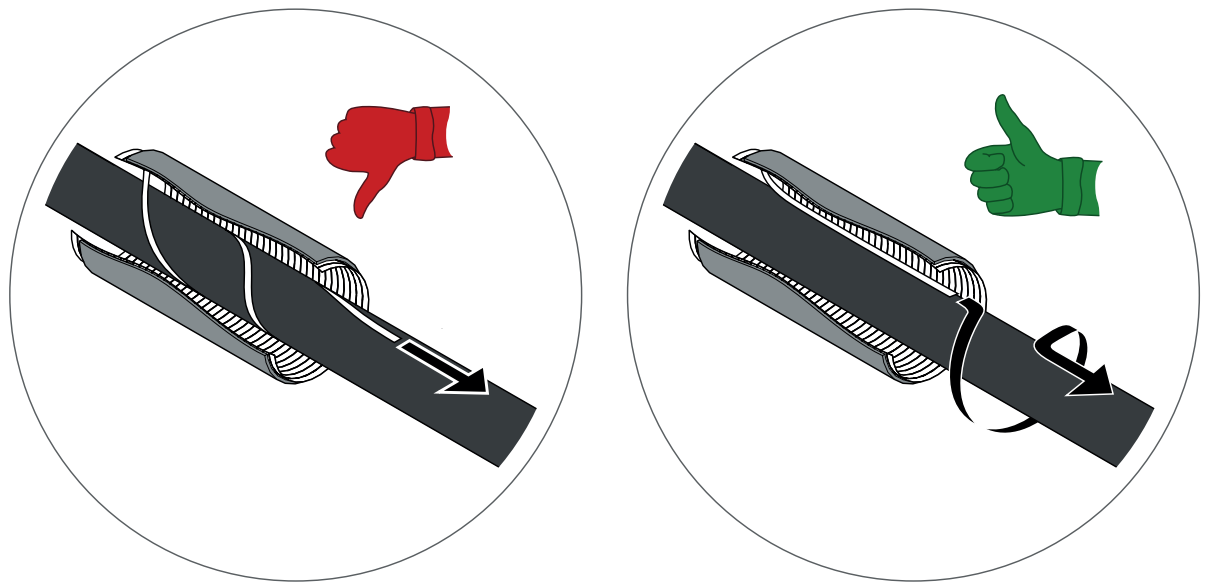
17



RFL15



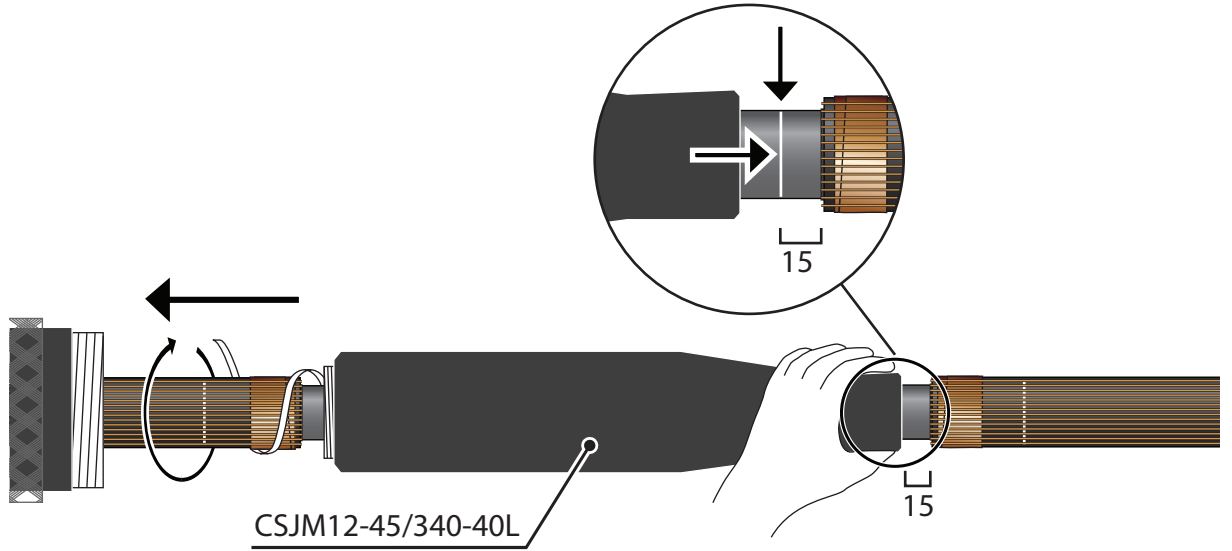
18



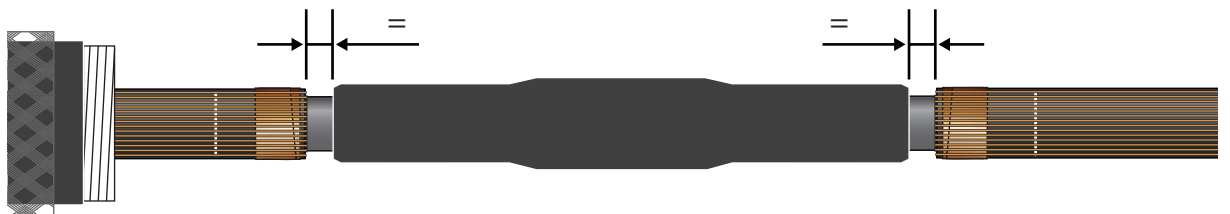
19



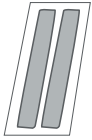
CSJM12-45/340-40L



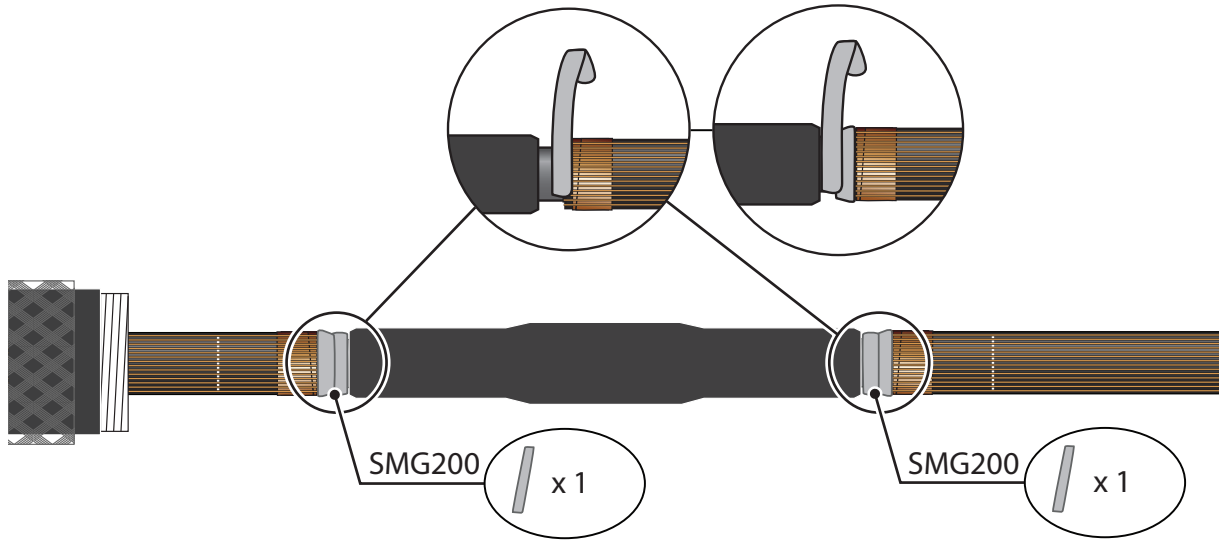
20



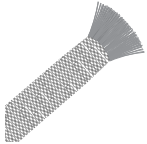
21



SMG200



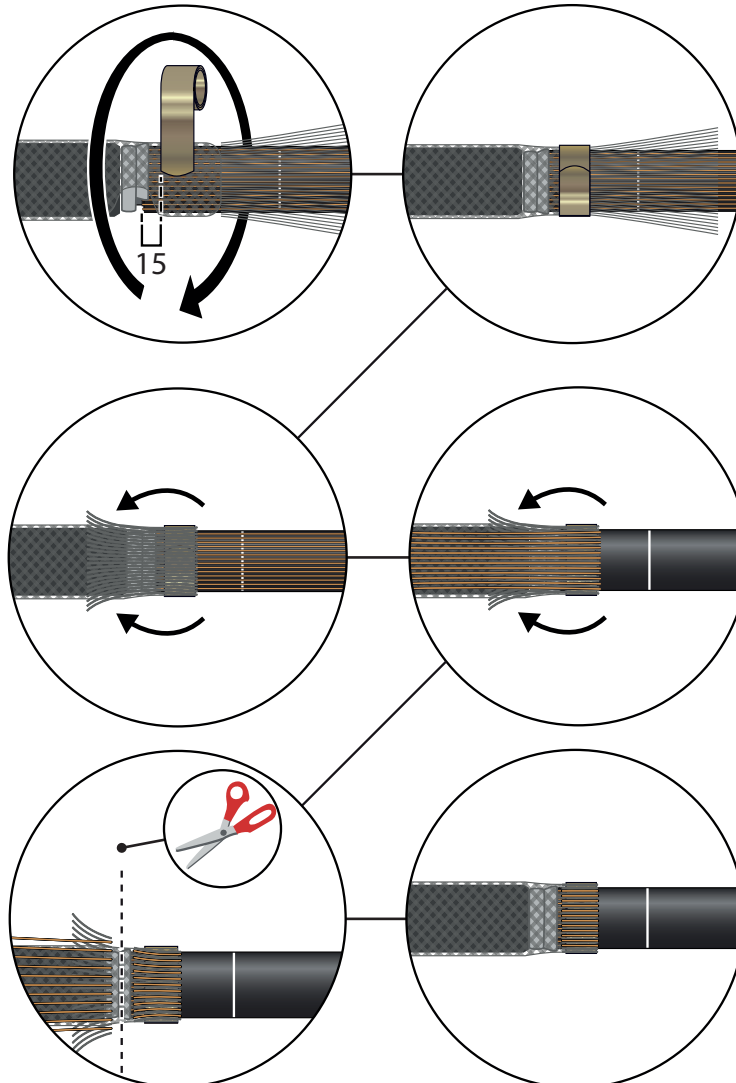
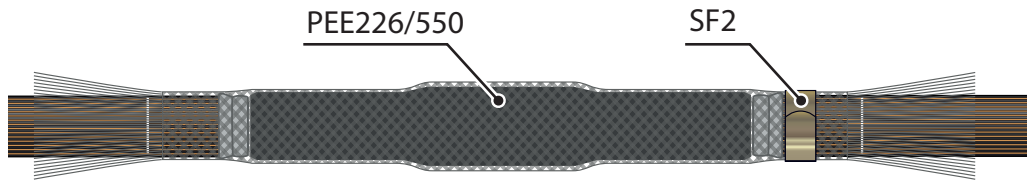
22



PEE226/550



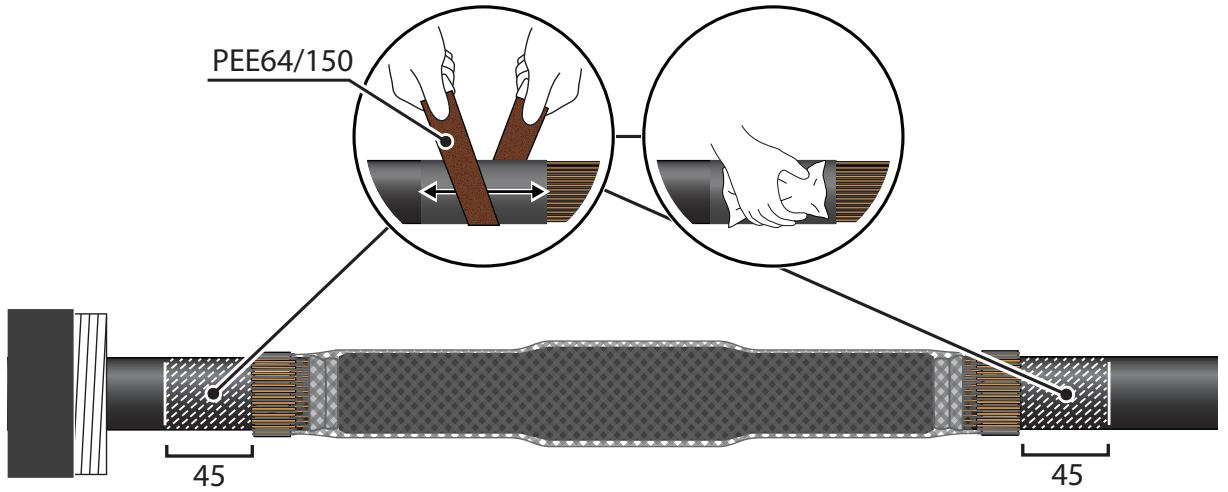
SF2



23



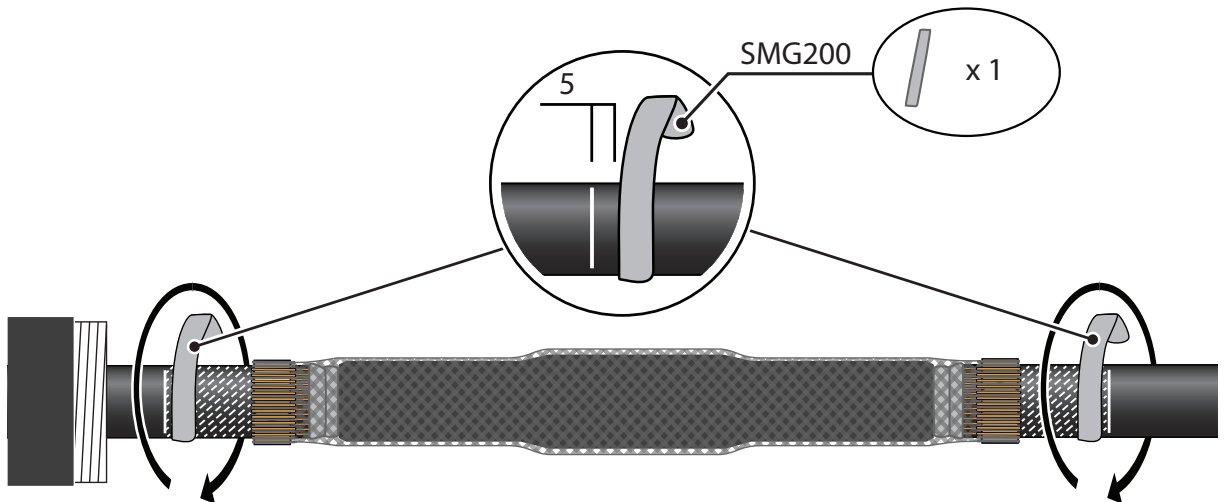
PEE64/150



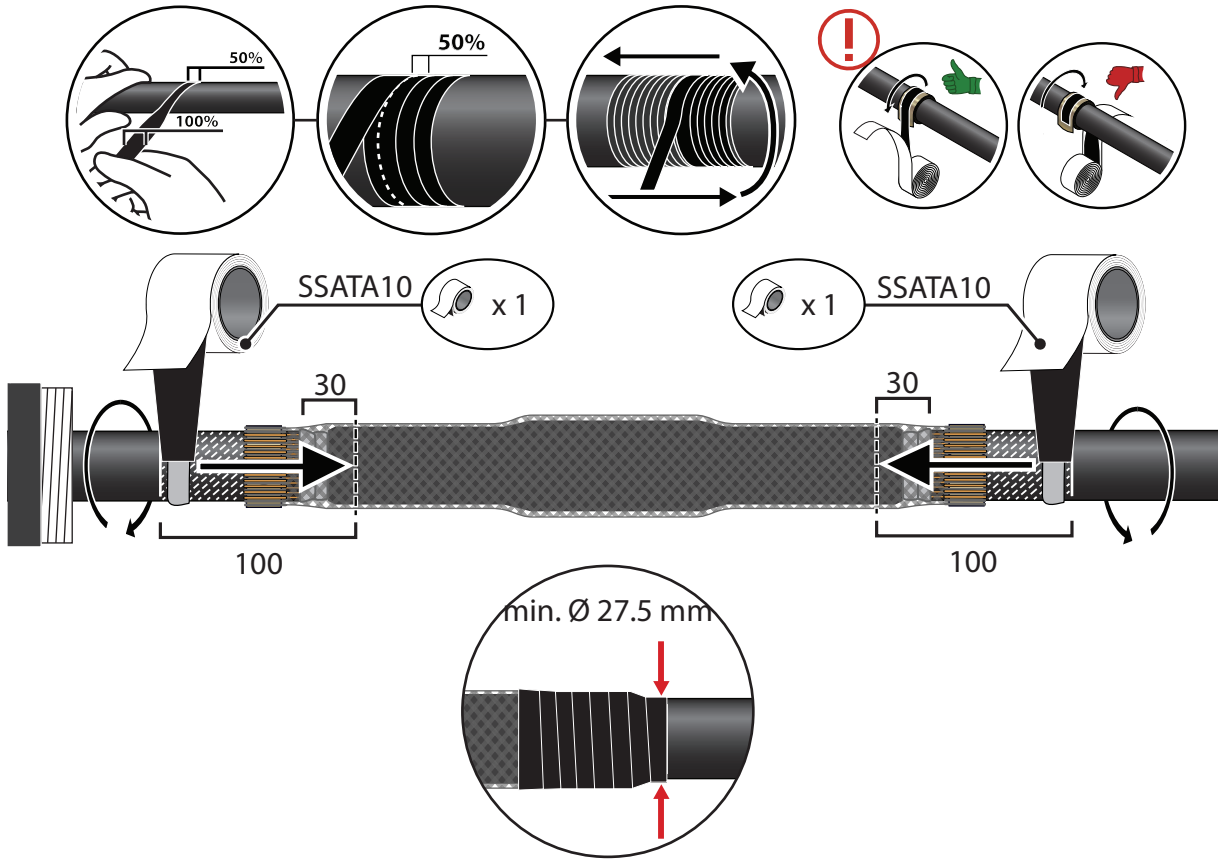
24



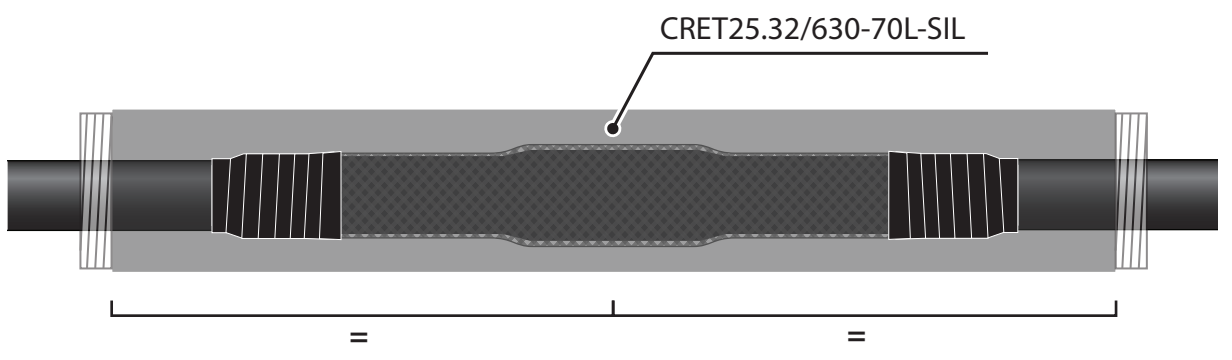
SMG200



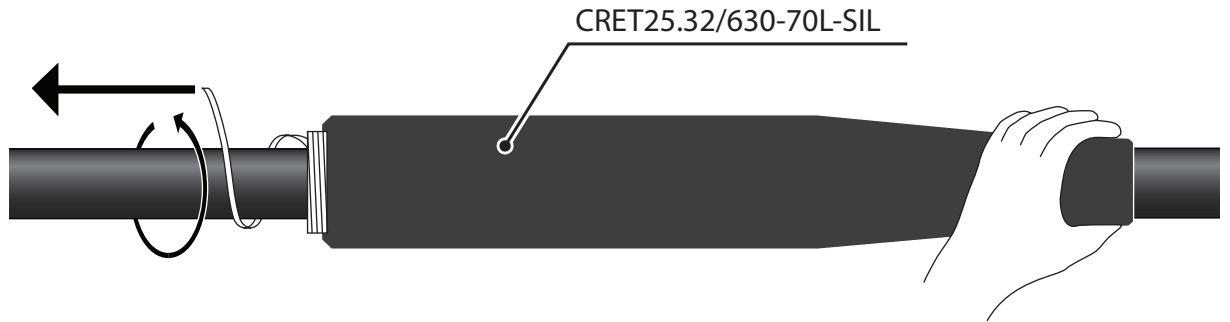
25



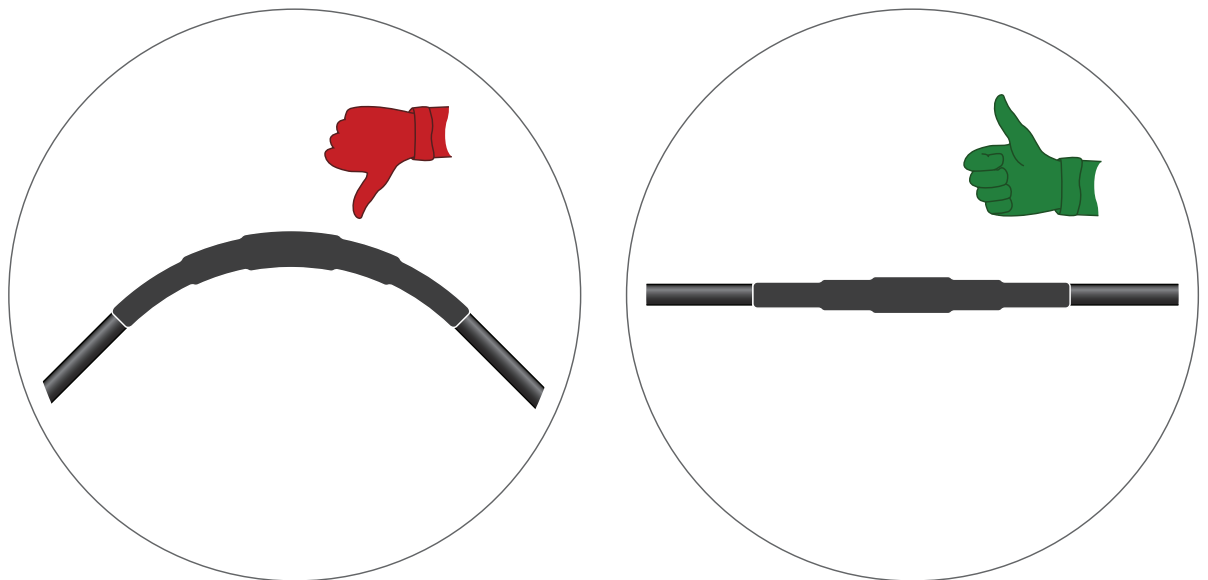
26



27



28



ENSTO